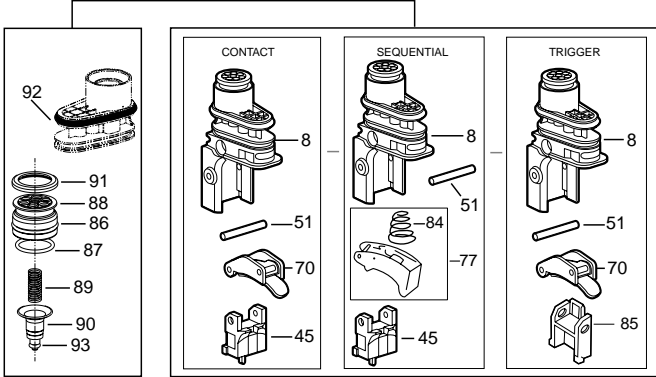
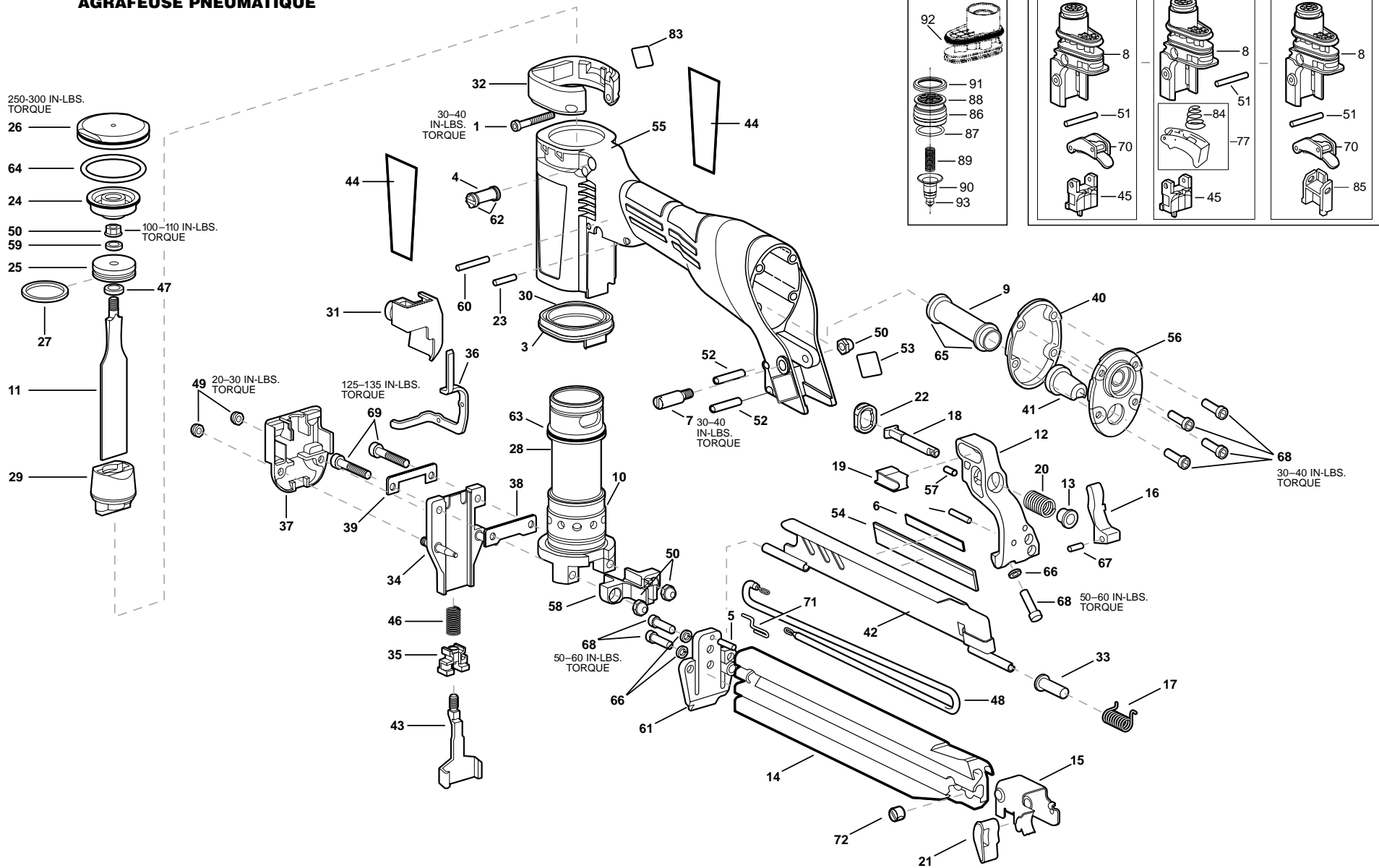


438S2

PNEUMATIC STAPLER
ENGRAPADORA NEUMÁTICA
AGRAFEUSE PNEUMATIQUE



Spare Parts for 438S2

Item#	Illus. #	Description
100258	1	SCREW,SHCS,M4X0.7X35
100263	2	PIN,SPIROL,M4X14MM
100279	3	O-RING,1.612X.103
101525	4	VALVE,ENERGY CONTROL
102044	5	PIN,SPIROL 3MMX16MM
102167	6	LABEL,MAGAZINE CAPACITY
102168	7	SCREW,SPECIAL (MAGAZINE)
TVA9	8	KIT,STANDARD MODULE
103208	9	TUBE,EXHAUST
103211	10	SEAL,CHECK
103214	11	DRIVER,(1IN)
103217	12	BRACKET,MAGAZINE
103218	13	BUSHING,TOGGLE PIN
103219	14	ASSEMBLY,MAGAZINE 1.5IN
103222	15	PUSHER (1IN)
103447	16	TOGGLE,MAGAZINE
103549	17	SPRING,COVER
103558	18	LATCH,MAGAZINE
103601	19	SLEEVE,BRACKET
103770	20	SPRING,COMPRESSION
103791	21	HANDLE,PUSHER
103795	22	DISC,LATCH STOP
103858	23	PIN,SPRING,4X20MM
103993	24	BUMPER,TOP L/P
103994	25	PISTON
103995	26	CAP,SLEEVE L/P
103996	27	RING,PISTON L/P
103997	28	SLEEVE,CYLINDER-L/P
103998	29	BUMPER,LOWER L/P (1")

103999	30	BULKHEAD,SLEEVE - L/P
104027	31	COVER,TRIP L/P
104064	32	PROTECTOR,FRONT FRAME L/P
104067	33	BUSHING,MAGAZINE COVER
104068	34	NOSE ASSEMBLY (1IN)
104339	35	ADJUSTER,TRIP
104623	36	ARM,UPPER CONTACT
104931	37	CASTING,NOSE COVER
104974	38	WEARPLATE (1IN)
104975	39	PLATE,NOSE
105057	40	GASKET,END CAP L/P
105070	41	EXHAUST DEFLECTOR
105073	42	COVER,MAGAZINE
105163	43	ARM,CONTACT
105797	44	LABEL
105932	45	ARM GUIDE ASSEMBLY
105934	46	SPRING,COMPRESSION
105959	47	WASHER,PISTON
106051	48	SPRING,EXTENSION
MHE5080-100	49	NUT,NLN M5X.8
MHE6100-100	50	NUT,ESN M6X1
106058	51	PIN,SPRING,M3X32
106059	52	PIN,ROLL,M4X30MM
106097	53	LABEL,PATENT
106147	54	LABEL,WARNING C/T
121168	55	FRAME/GRIP
106292	56	CAP,END L/P
106334	57	PIN,SPIRAL 4X10MM
106474	58	TOP GUIDE
106691	59	WASHER,SPECIAL M6
106871	60	PIN,SPRING 4X32MM

107072	61	TIP CORE (1.5")
107129	62	O-RING,.268X.075
850607	63	O-RING,1.484X.139
850628	64	O-RING,1.734X.139
851554	65	O-RING,.703X.103
MLW5	66	WASHER,HSLW M5
MPG030012	67	PIN, ROLL 3 X 12
MSC5080-20	68	SCREW,SOC HD. CAP M5 X 20
MSC6100-35	69	SCREW,SHCS,M6X1.00X35
N50082A	70	ASSEMBLY,TRIGGER
T50078	71	ANCHOR, PUSHER SPRING
T60024	72	PIN,SPECIAL(MAG NUT)
SEQ2	77	KIT,SEQ TRIP CONV.
110009	83	LABEL,POWER VALVE
100387	84	SPRING, COMPRESSION
106173	85	STOP,TRIGGER
102164	86	O-RING,.728 X .059
102163	87	O-RING,.591 X .059
101541	88	HEAD VALVE
101540	89	SPRING,COMPRESSION
101533	90	SEAL,EXHAUST
101532	91	SEAL,HEAD VALVE
102197	92	O-RING,1.174 X .103
105996	93	O-RING,.087 X .059
108212	94	ASSY,400/500 SERIES S2 LM
106427	95	WRENCH,SLEEVE CAP
112604	96	CAP,WEIGHT-L/P