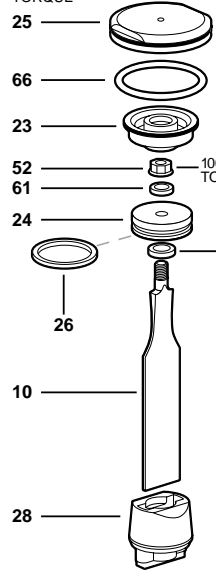


438S2R

PNEUMATIC STAPLER
ENGRAPADORA NEUMÁTICA
AGRAFEUSE PNEUMATIQUE

250-300 IN-LBS.
TORQUE



100-110 IN-LBS.
TORQUE

20-30 IN-LBS.
TORQUE

125-135
IN-LBS.
TORQUE

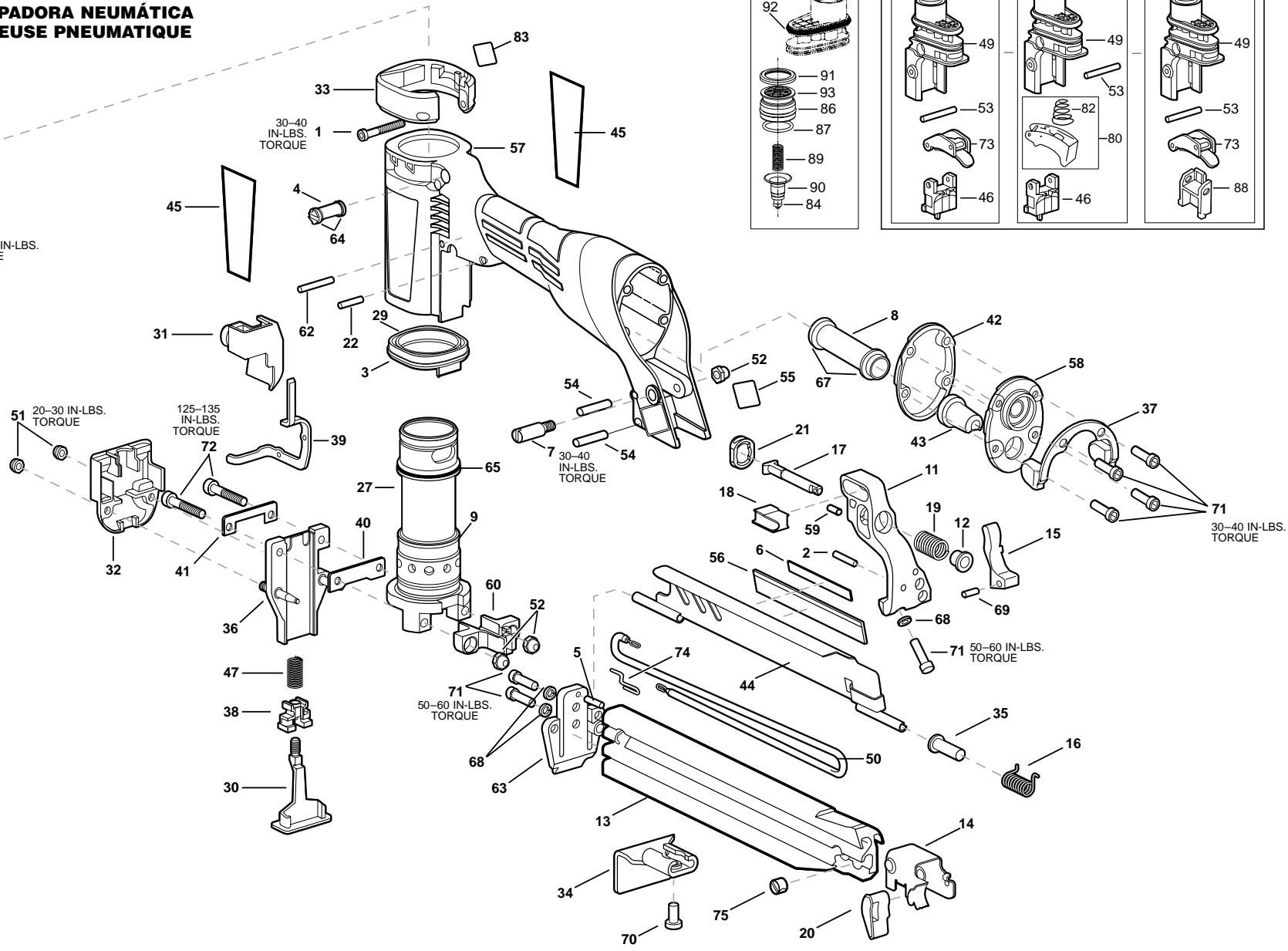
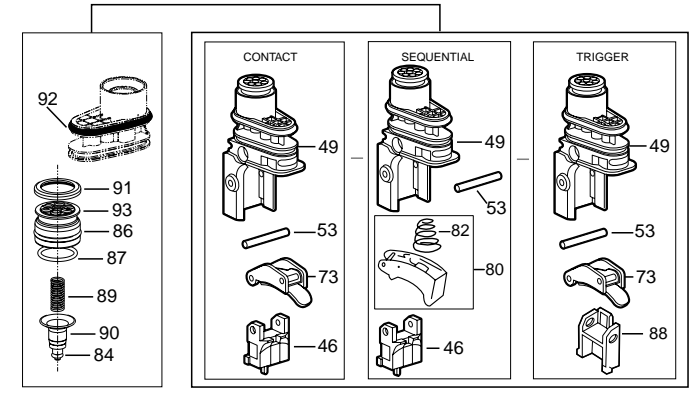
30-40
IN-LBS.
TORQUE

30-40
IN-LBS.
TORQUE

50-60 IN-LBS.
TORQUE

50-60 IN-LBS.
TORQUE

30-40 IN-LBS.
TORQUE



Spare Parts for 438S2R

Item#	Illus. #	Description
100258	1	SCREW,SHCS,M4X0.7X35
100263	2	PIN,SPIROL,M4X14MM
100279	3	O-RING,1.612X.103
101525	4	VALVE,ENERGY CONTROL
102044	5	PIN,SPIROL 3MMX16MM
102167	6	LABEL,MAGAZINE CAPACITY
102168	7	SCREW,SPECIAL (MAGAZINE)
103208	8	TUBE,EXHAUST
103211	9	SEAL,CHECK
103214	10	DRIVER,(1IN)
103217	11	BRACKET,MAGAZINE
103218	12	BUSHING,TOGGLE PIN
103219	13	ASSEMBLY,MAGAZINE 1.5IN
103222	14	PUSHER (1IN)
103447	15	TOGGLE,MAGAZINE
103549	16	SPRING,COVER
103558	17	LATCH,MAGAZINE
103601	18	SLEEVE,BRACKET
103770	19	SPRING,COMPRESSION
103791	20	HANDLE,PUSHER
103795	21	DISC,LATCH STOP
103858	22	PIN,SPRING,4X20MM
103993	23	BUMPER, TOP L/P
103994	24	PISTON
103995	25	CAP,SLEEVE L/P
103996	26	RING,PISTON L/P
103997	27	SLEEVE,CYLINDER-L/P
103998	28	BUMPER,LOWER L/P (1")
103999	29	BULKHEAD,SLEEVE - L/P

104025	30	TRIP,ROOFING
104027	31	COVER,TRIP L/P
104034	32	COVER,NOSE,ROOFING
104064	33	PROTECTOR,FRONT FRAME L/P
104066	34	SHINGLE GUIDE ASSY
104067	35	BUSHING,MAGAZINE COVER
104068	36	NOSE ASSEMBLY (1IN)
104072	37	PROTECTOR,REAR FRAME
104339	38	ADJUSTER,TRIP
104623	39	ARM,UPPER CONTACT
104974	40	WEARPLATE (1IN)
104975	41	PLATE,NOSE
105057	42	GASKET,END CAP L/P
105070	43	EXHAUST DEFLECTOR
105073	44	COVER,MAGAZINE
105797	45	LABEL
105932	46	ARM GUIDE ASSEMBLY
105934	47	SPRING,COMPRESSION
105959	48	WASHER,PISTON
TVA9	49	KIT,STANDARD MODULE
106051	50	SPRING,EXTENSION
MHE5080-100	51	NUT,NLN M5X.8
MHE6100-100	52	NUT,ESN M6X1
106058	53	PIN,SPRING,M3X32
106059	54	PIN,ROLL,M4X30MM
106097	55	LABEL,PATENT
106147	56	LABEL,WARNING C/T
121168	57	FRAME/GRIP
106292	58	CAP,END L/P
106334	59	PIN,SPIRAL 4X10MM
106474	60	TOP GUIDE

106691	61	WASHER,SPECIAL M6
106871	62	PIN,SPRING 4X32MM
107072	63	TIP CORE (1.5")
107129	64	O-RING,.268X.075
850607	65	O-RING,1.484X.139
850628	66	O-RING,1.734X.139
851554	67	O-RING,.703X.103
MLW5	68	WASHER,HSLW M5
MPG030012	69	PIN, ROLL 3 X 12
MSB5080-10	70	SCREW,SBHCS,M5X0.80X10
MSC5080-20	71	SCREW,SOC HD. CAP M5 X 20
MSC6100-35	72	SCREW,SHCS,M6X1.00X35
N50082A	73	ASSEMBLY,TRIGGER
T50078	74	ANCHOR, PUSHER SPRING
T60024	75	PIN,SPECIAL(MAG NUT)
SEQ2	80	KIT,SEQ TRIP CONV.
102197	80	O-RING,1.174 X .103
100387	82	SPRING, COMPRESSION
110009	83	LABEL,POWER VALVE
105996	84	O-RING,.087 X .059
101541	86	HEAD VALVE
102163	87	O-RING,.591 X .059
106173	88	STOP,TRIGGER
101540	89	SPRING,COMPRESSION
101533	90	SEAL,EXHAUST
101532	91	SEAL,HEAD VALVE
102197	92	O-RING,1.174 X .103
102164	93	O-RING,.728 X .059
108212	94	ASSY,400/500 SERIES S2 LM
106427	95	WRENCH,SLEEVE CAP
112604	96	CAP,WEIGHT-L/P

