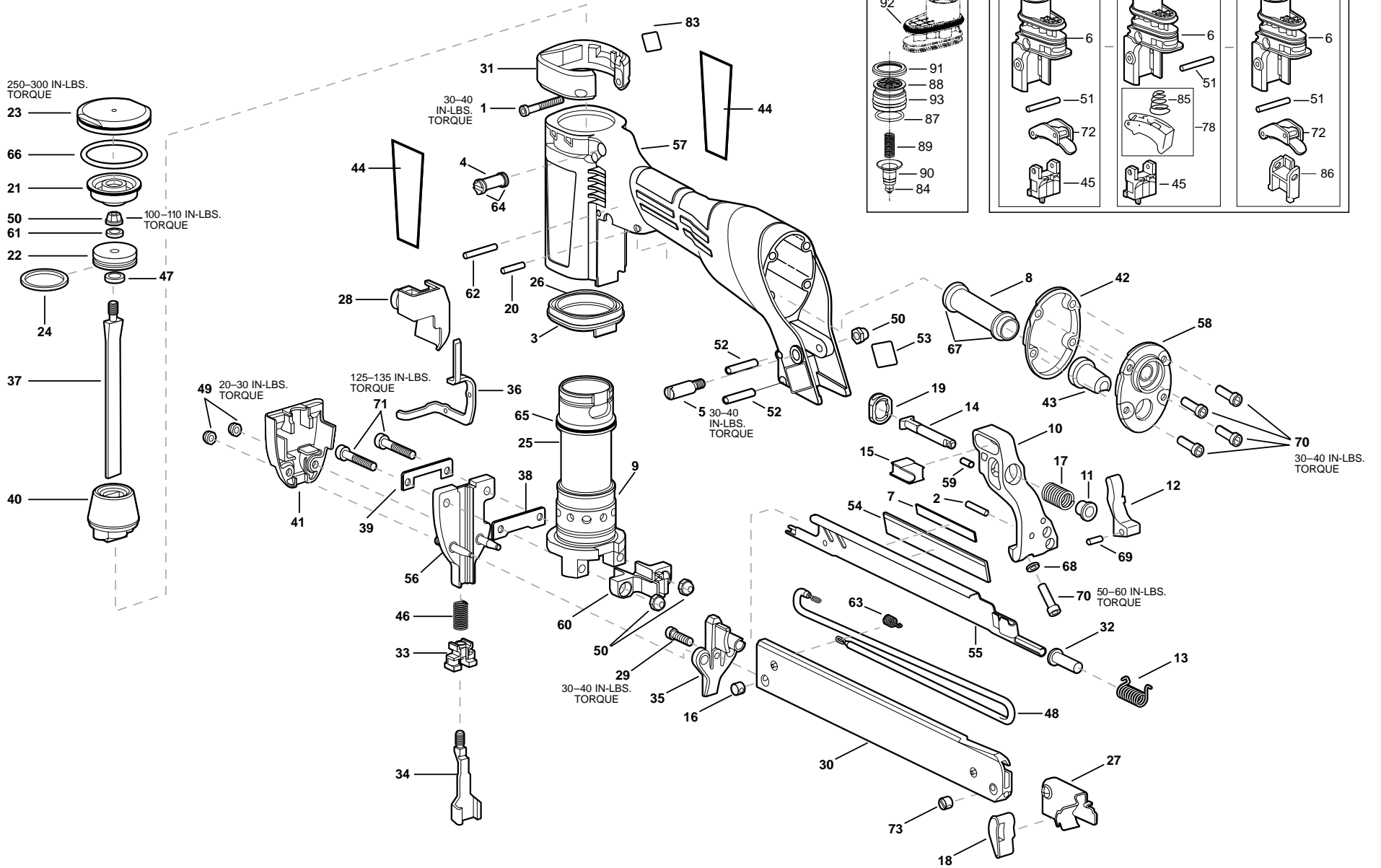


438S5

PNEUMATIC STAPLER
ENGRAPADORA NEUMÁTICA
AGRAFEUSE PNEUMATIQUE



Spare Parts for 438S5

Item#	Illus. #	Description
100258	1	SCREW,SHCS,M4X0.7X35
100263	2	PIN,SPIROL,M4X14MM
100279	3	O-RING,1.612X.103
101525	4	VALVE,ENERGY CONTROL
102168	5	SCREW,SPECIAL (MAGAZINE)
TVA9	6	KIT,STANDARD MODULE
103202	7	LABEL,MAGAZINE CAPACITY
103208	8	TUBE,EXHAUST
103211	9	SEAL,CHECK
103217	10	BRACKET,MAGAZINE
103218	11	BUSHING,TOGGLE PIN
103447	12	TOGGLE,MAGAZINE
103549	13	SPRING,COVER
103558	14	LATCH,MAGAZINE
103601	15	SLEEVE,BRACKET
103750	16	INSERT,THREADED M4X.7
103770	17	SPRING,COMPRESSION
103791	18	HANDLE,PUSHER
103795	19	DISC,LATCH STOP
103858	20	PIN,SPRING,4X20MM
103993	21	BUMPER,TOP L/P
103994	22	PISTON
103995	23	CAP,SLEEVE L/P
103996	24	RING,PISTON L/P
103997	25	SLEEVE,CYLINDER-L/P
103999	26	BULKHEAD,SLEEVE - L/P
104024	27	PUSHER (7/16IN)
104027	28	COVER,TRIP L/P
104030	29	SCREW,SPECIAL M4X20

104050	30	ASSEMBLY,MAGAZINE,7/16IN
104064	31	PROTECTOR,FRONT FRAME L/P
104067	32	BUSHING,MAGAZINE COVER
104339	33	ADJUSTER,TRIP
104341	34	ARM,CONTACT
107440	35	TIP,CORE (7/16")
104623	36	ARM,UPPER CONTACT
104930	37	DRIVER,(7/16IN)
104973	38	WEARPLATE (7/16IN)
104975	39	PLATE,NOSE
105007	40	BUMPER,LOWER L/P (1/2")
105013	41	CASTING,NOSE COVER
105057	42	GASKET,END CAP L/P
105070	43	EXHAUST DEFLECTOR
105797	44	LABEL
105932	45	ARM GUIDE ASSEMBLY
105934	46	SPRING,COMPRESSION
105959	47	WASHER,PISTON
106051	48	SPRING,EXTENSION
MHE5080-100	49	NUT,NLN M5X.8
MHE6100-100	50	NUT,ESN M6X1
106058	51	PIN,SPRING,M3X32
106059	52	PIN,ROLL,M4X30MM
106097	53	LABEL,PATENT
106147	54	LABEL,WARNING C/T
106148	55	COVER,MAGAZINE
106159	56	NOSE ASSEMBLY (7/16IN)
121168	57	FRAME/GRIP
106292	58	CAP,END L/P
106334	59	PIN,SPIRAL 4X10MM
106474	60	TOP GUIDE

106691	61	WASHER,SPECIAL M6
106871	62	PIN,SPRING 4X32MM
106933	63	RETAINER,SPRING
107129	64	O-RING,.268X.075
850607	65	O-RING,1.484X.139
850628	66	O-RING,1.734X.139
851554	67	O-RING,.703X.103
MLW5	68	WASHER,HSLW M5
MPG030012	69	PIN, ROLL 3 X 12
MSC5080-20	70	SCREW,SOC HD. CAP M5 X 20
MSC6100-35	71	SCREW,SHCS,M6X1.00X35
N50082A	72	ASSEMBLY,TRIGGER
T60024	73	PIN,SPECIAL(MAG NUT)
SEQ2	78	KIT,SEQ TRIP CONV.
110009	83	LABEL,POWER VALVE
105996	84	O-RING,.087 X .059
100387	85	SPRING, COMPRESSION
106173	86	STOP,TRIGGER
102163	87	O-RING,.591 X .059
101541	88	HEAD VALVE
101540	89	SPRING,COMPRESSION
101533	90	SEAL,EXHAUST
101532	91	SEAL,HEAD VALVE
102197	92	O-RING,1.174 X .103
102164	93	O-RING,.728 X .059
108214	94	ASSY,400/500 SERIES S5 LM
106427	95	WRENCH,SLEEVE CAP
112604	96	CAP,WEIGHT-L/P