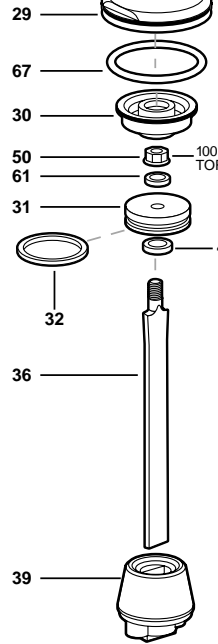


# 538S5

**PNEUMATIC STAPLER**  
**ENGRAPADORA NEUMÁTICA**  
**AGRAFEUSE PNEUMATIQUE**

250-300 IN-LBS.  
TORQUE



100-110 IN-LBS.  
TORQUE

20-30 IN-LBS.  
TORQUE

125-135 IN-LBS.  
TORQUE

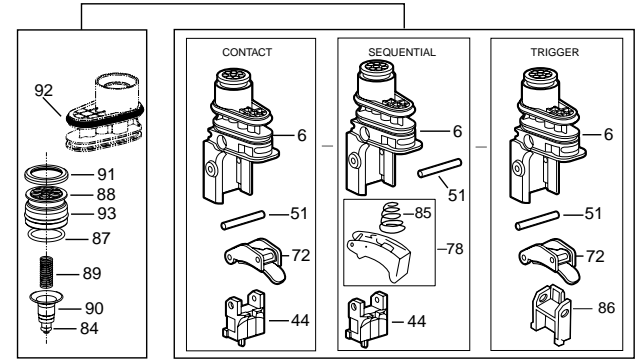
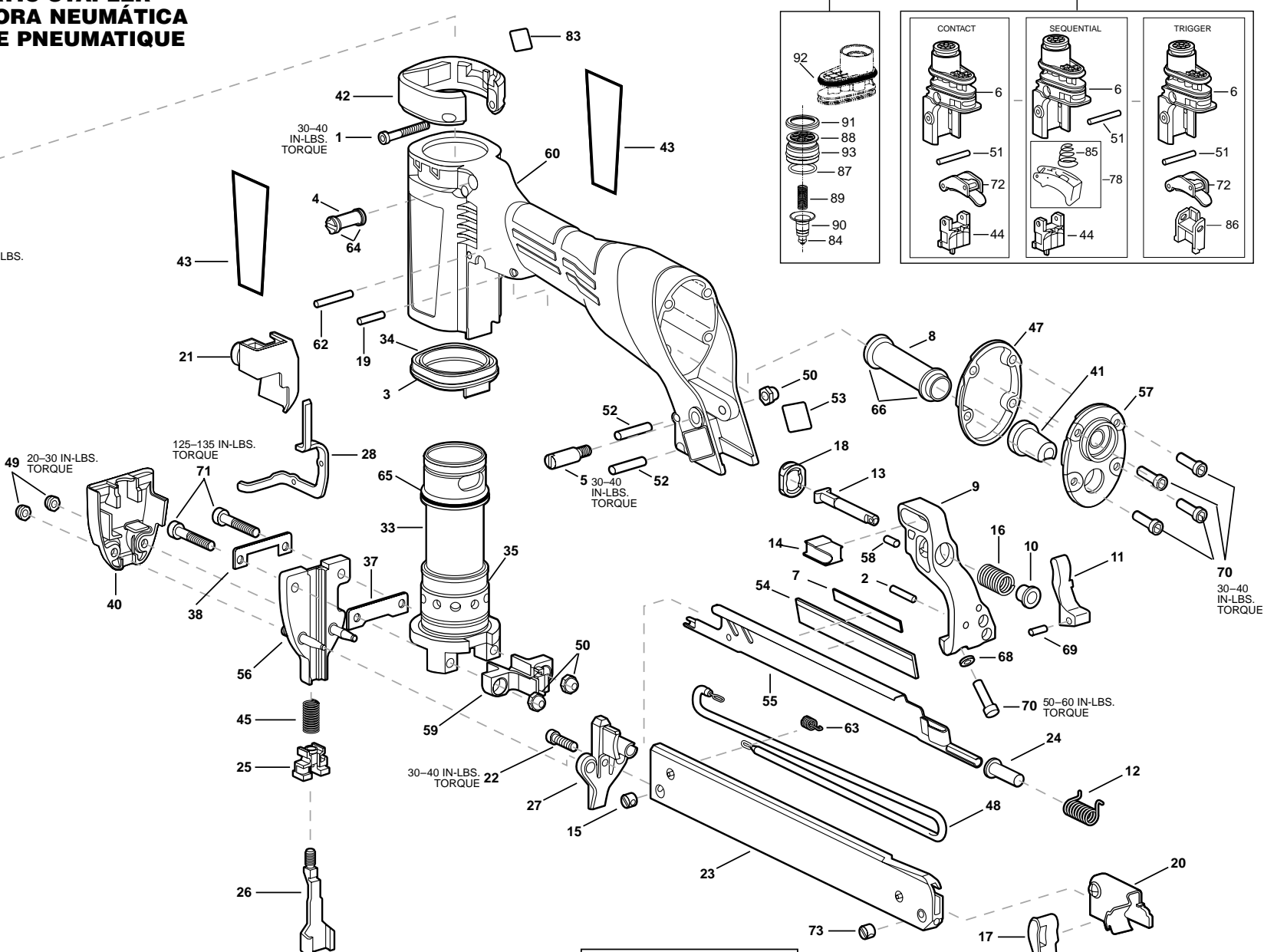
30-40 IN-LBS.  
TORQUE

30-40  
IN-LBS.  
TORQUE

30-40  
IN-LBS.  
TORQUE

30-40  
IN-LBS.  
TORQUE

50-60 IN-LBS.  
TORQUE



SEE REVERSE SIDE  
FOR ACCESSORIES  
(NOT INCLUDED)

## Spare Parts for 538S5

Item#	Illus. #	Description
100258	1	SCREW,SHCS,M4X0.7X35
100263	2	PIN,SPIROL,M4X14MM
100273	3	O-RING,2.237X.103
101525	4	VALVE,ENERGY CONTROL
102168	5	SCREW,SPECIAL (MAGAZINE)
TVA9	6	KIT,STANDARD MODULE
103202	7	LABEL,MAGAZINE CAPACITY
103208	8	TUBE,EXHAUST
103217	9	BRACKET,MAGAZINE
103218	10	BUSHING,TOGGLE PIN
103447	11	TOGGLE,MAGAZINE
103549	12	SPRING,COVER
103558	13	LATCH,MAGAZINE
103601	14	SLEEVE,BRACKET
103750	15	INSERT,THREADED M4X.7
103770	16	SPRING,COMPRESSION
103791	17	HANDLE,PUSHER
103795	18	DISC,LATCH STOP
103858	19	PIN,SPRING,4X20MM
104024	20	PUSHER (7/16IN)
104029	21	COVER,TRIP H/P
104030	22	SCREW,SPECIAL M4X20
104050	23	ASSEMBLY,MAGAZINE,7/16IN
104067	24	BUSHING,MAGAZINE COVER
104339	25	ADJUSTER,TRIP
104341	26	ARM,CONTACT
107440	27	TIP,CORE (7/16")
104623	28	ARM,UPPER CONTACT
104898	29	CAP,SLEEVE H/P

104899	30	BUMPER, TOP H/P
104901	31	PISTON
104902	32	RING, PISTON
104903	33	SLEEVE, CYLINDER - H/P
104904	34	BULKHEAD, SLEEVE H/P
104905	35	SEAL, CHECK
104930	36	DRIVER, (7/16IN)
104973	37	WEARPLATE (7/16IN)
104975	38	PLATE, NOSE
104976	39	BUMPER, LOWER H/P (1/2")
105013	40	CASTING, NOSE COVER
105070	41	EXHAUST DEFLECTOR
105083	42	PROTECTOR, FRONT FRAME H/P
105797	43	LABEL
105932	44	ARM GUIDE ASSEMBLY
105934	45	SPRING, COMPRESSION
105959	46	WASHER, PISTON
106017	47	GASKET, END CAP H/P
106051	48	SPRING, EXTENSION
MHE5080-100	49	NUT, NLN M5X.8
MHE6100-100	50	NUT, ESN M6X1
106058	51	PIN, SPRING, M3X32
106059	52	PIN, ROLL, M4X30MM
106097	53	LABEL, PATENT
106147	54	LABEL, WARNING C/T
106148	55	COVER, MAGAZINE
106159	56	NOSE ASSEMBLY (7/16IN)
106291	57	CAP, END H/P
106334	58	PIN, SPIRAL 4X10MM
106474	59	TOP GUIDE
106537	60	FRAME, H/P

106691	61	WASHER,SPECIAL M6
106871	62	PIN,SPRING 4X32MM
106933	63	RETAINER,SPRING
107129	64	O-RING,.268X.075
850716	65	O-RING,1.609X.139
851554	66	O-RING,.703X.103
86460	67	O-RING,1.859X.139
MLW5	68	WASHER,HSLW M5
MPG030012	69	PIN, ROLL 3 X 12
MSC5080-20	70	SCREW,SOC HD. CAP M5 X 20
MSC6100-35	71	SCREW,SHCS,M6X1.00X35
N50082A	72	ASSEMBLY,TRIGGER
T60024	73	PIN,SPECIAL(MAG NUT)
SEQ2	78	KIT,SEQ TRIP CONV.
110009	83	LABEL,POWER VALVE
105996	84	O-RING,.087 X .059
100387	85	SPRING, COMPRESSION
106173	86	STOP,TRIGGER
102163	87	O-RING,.591 X .059
101541	88	HEAD VALVE
101540	89	SPRING,COMPRESSION
101533	90	SEAL,EXHAUST
101532	91	SEAL,HEAD VALVE
102197	92	O-RING,1.174 X .103
102164	93	O-RING,.728 X .059
108214	94	ASSY,400/500 SERIES S5 LM
106427	95	WRENCH,SLEEVE CAP
112603	96	CAP,WEIGHT-H/P