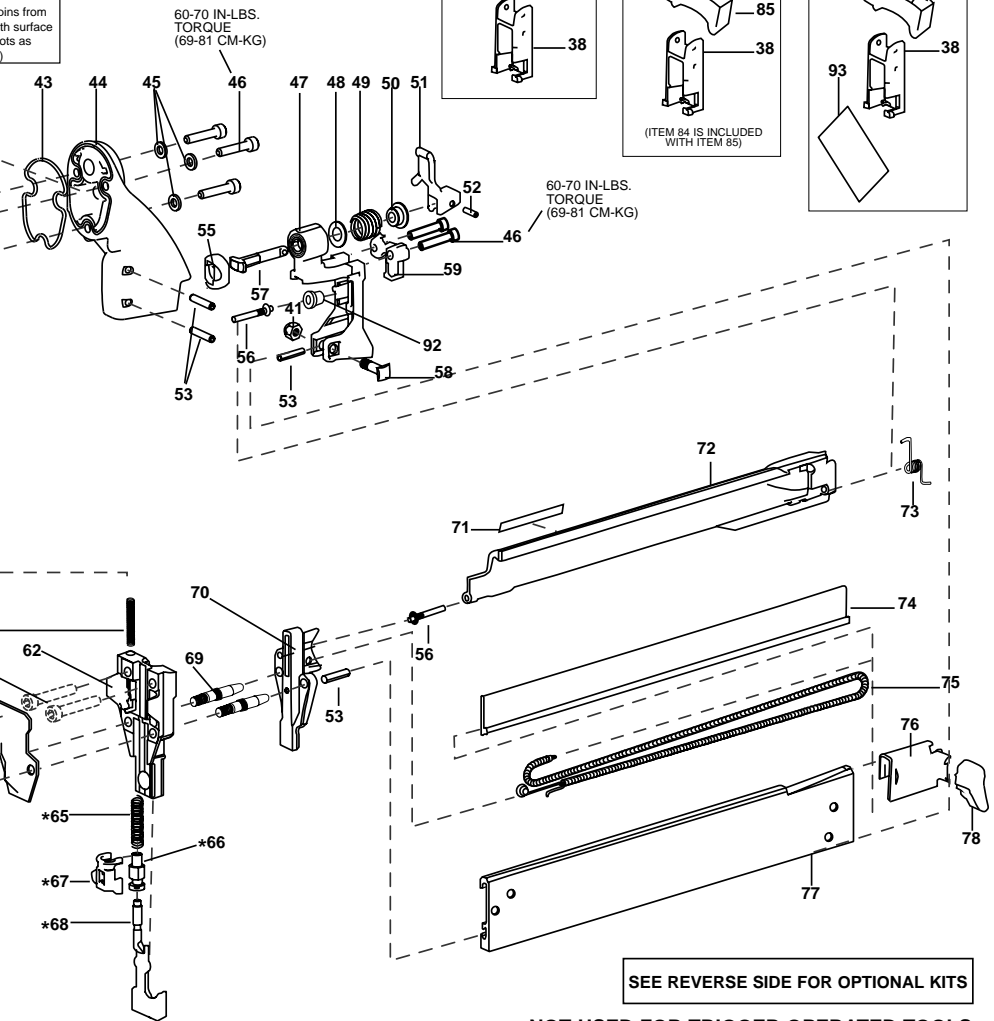
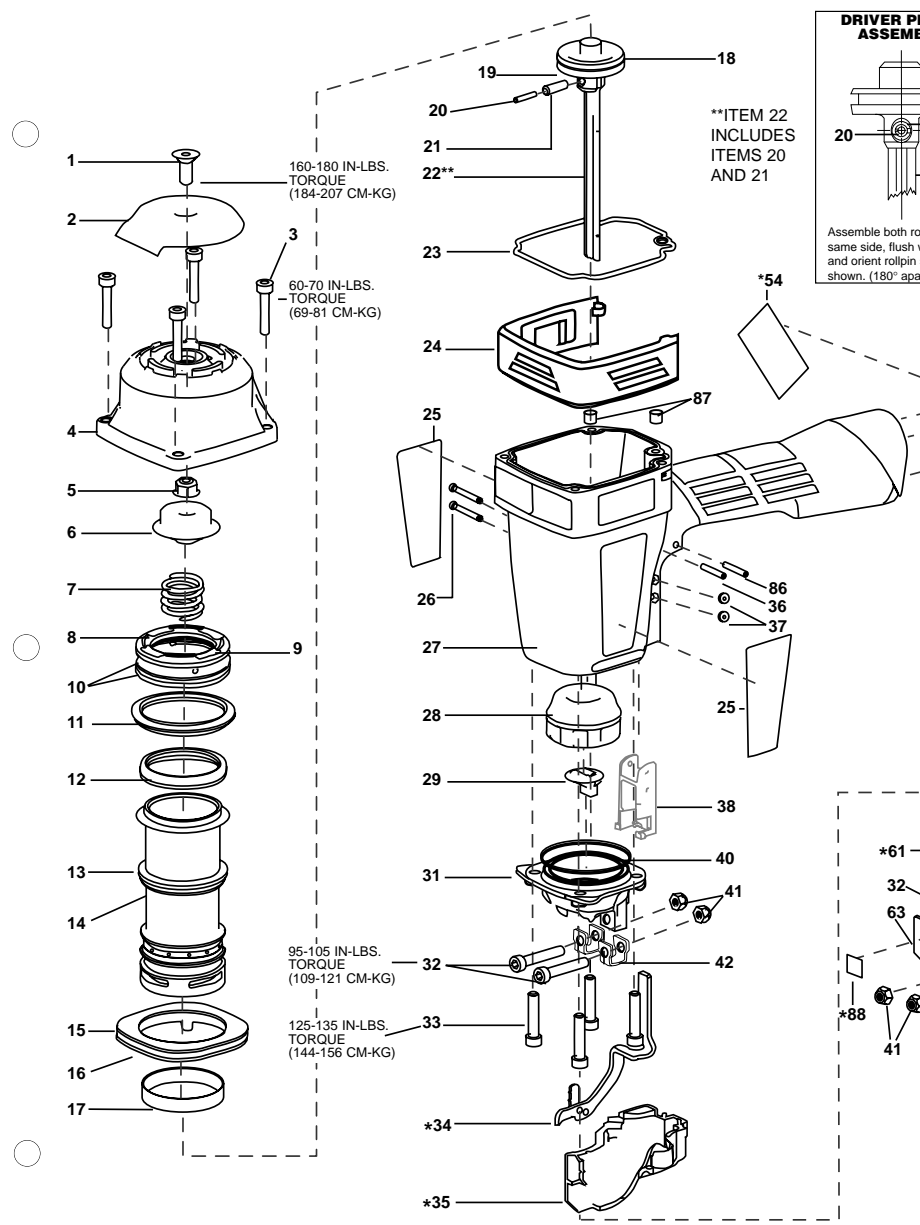
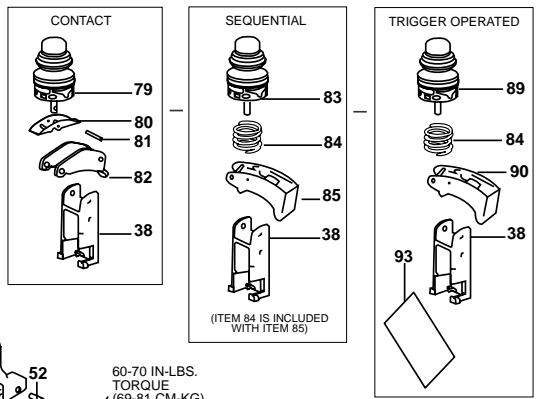
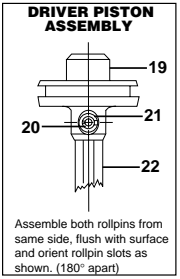


# 650S5 PNEUMATIC STAPLER ENGRAPDORA NEUMÁTICA AGRAFEUSE PNEUMATIQUE



SEE REVERSE SIDE FOR OPTIONAL KITS

\* NOT USED FOR TRIGGER OPERATED TOOLS

IP1110-1 REVE 2/99  
USE WITH PARTS LIST IP1110-2

TO SAVE FOR FUTURE REFERENCE: To file this illustration in a ring binder, cut on the above line and punch holes where indicated on the other end of this sheet.

## Spare Parts for 650S5

Item#	Illus. #	Description
105749	1	SCREW,SFHCS,M8x1.25x20
104585	2	DEFLECTOR
102755	3	SCREW,SHCS,M5X0.80X30
105787	4	CAP,FRAME CYL.
103859	5	NUT,HFN,M8X1.25
105812	6	BUMPER,TOP,650
103767	7	SPRING,HEAD VALVE
104569	8	VALVE,HEAD
MRG039231	9	O-RING,1.543X.125
105814	10	O-RING,1.929X.098
112729	11	RETAINER,CYL.SLEEVE
104594	12	SEAL,CYLINDER
105816	13	O-RING,1.674X.103
105796	14	CYLINDER
105815	15	O-RING,2.359 X .139
104580	16	RING,CYLINDER SLEEVE
104588	17	SEAL,CHECK
105817	18	O-RING,1.234x.139 URETHANE
103881	19	PISTON
UB2111.2	20	PIN,SPRING,.125X.69
UB4809.1	21	PIN,SPRING,.219X.69
106079	22	KIT,DRIVER REPLACEMENT-650S5
104620	23	SEAL,CYLINDER CAP
107148	24	PROTECTOR,FRAME
106344	25	LABEL,STANLEY-BOSTITCH LOGO
105811	26	SCREW,TRIGGER PIVOT
107183	27	FRAME,OVERMOLD
104574	28	BUMPER,BOTTOM
103803	29	GUIDE,DRIVER,50S5

104609	31	BOTTOM,FRAME,MACHINING
MSC6100-35	32	SCREW,SHCS,M6X1.00X35
MSC6100-30	33	SCREW,SHCS,M6X1.00X30
105775	34	ARM,UPPER CONTACT ASSY
105818	35	COVER,CONTACT ARM ASSY
100298	36	PIN,SPRING,M3X30MM
MHE3050-100	37	NUT,ESN,M3X0.5
106954	38	UPPER TRIP GUIDE ASSY,650
851483	40	O-RING,1.739X.070
MHE6100-100	41	NUT,ESN M6X1
105782	42	BRACE,LUG
104619	43	SEAL,END CAP
105789	44	CAP,FRAME END
T50118	45	WASHER,PWW M5
MSC5080-25	46	SCREW,SHCS,M5X0.80X25
103786	47	CAP,MAGAZINE END
104612	48	WASHER
105786	49	SPRING,LATCH LEVER
103806	50	BUSHING,SPRING
103447	51	TOGGLE,MAGAZINE
MPG030012	52	PIN,ROLL 3 X 12
103858	53	PIN,SPRING,4X20MM
105809	54	LABEL,WARNING
103795	55	DISC,LATCH STOP
103768	56	PIN,MAGAZINE COVER
105780	57	PIN,LATCH
103851	58	BOLT,SQUARE(SPECIAL)
103776	59	MAGAZINE STOP
107310	61	SPRING,C.T.,INNER
107219	62	NOSE,650S5
103871	63	COVER,CONTACT ARM

105784	65	SPRING,C.T.,OUTER-650
103865	66	NUT,ADJUSTING
103864	67	ADAPTER
103793	68	ARM,LOWER CONTACT
103838	69	PIN,NOSE
103873	70	CORE TIP,650S5
105799	71	LABEL,MODEL,650S5
104600	72	COVER,MAGAZINE
103839	73	SPRING,TORSION
103812	74	COVER,CORE,S5
104613	75	SPRING,PUSHER ASSEMBLY
103846	76	PUSHER,S5
105793	77	CORE ASSEMBLY
103791	78	HANDLE,PUSHER
STV2	79	KIT,TRIGGER VALVE-SPEED S
T55092	80	ROCKER,TRIGGER
MPD016012	81	PIN,DOWEL,.062X.459
100607	82	ASSEMBLY,TRIGGER
TVA6	83	KIT,TRIGGER VALVE
100387	84	SPRING, COMPRESSION
SEQ2	85	KIT,SEQ TRIP CONV.
MPP030020	86	PIN,SPIROL M3X20MM
105778	87	SLEEVE,FRAME GUARD
851934	88	LABEL, TRIP ADJ. (STAPLE)
106869	89	KIT,TRIGGER VALVE
107191	90	TRIGGER OPER TRIGGER ASSY
106961	92	BEARING,COVER PIN
106833	93	LABEL,WARNING,TRIGGER OPER
107306	94	KIT,WEIGHT ATTACHMENT-650
108073	95	KIT,LONG MAG 650S5