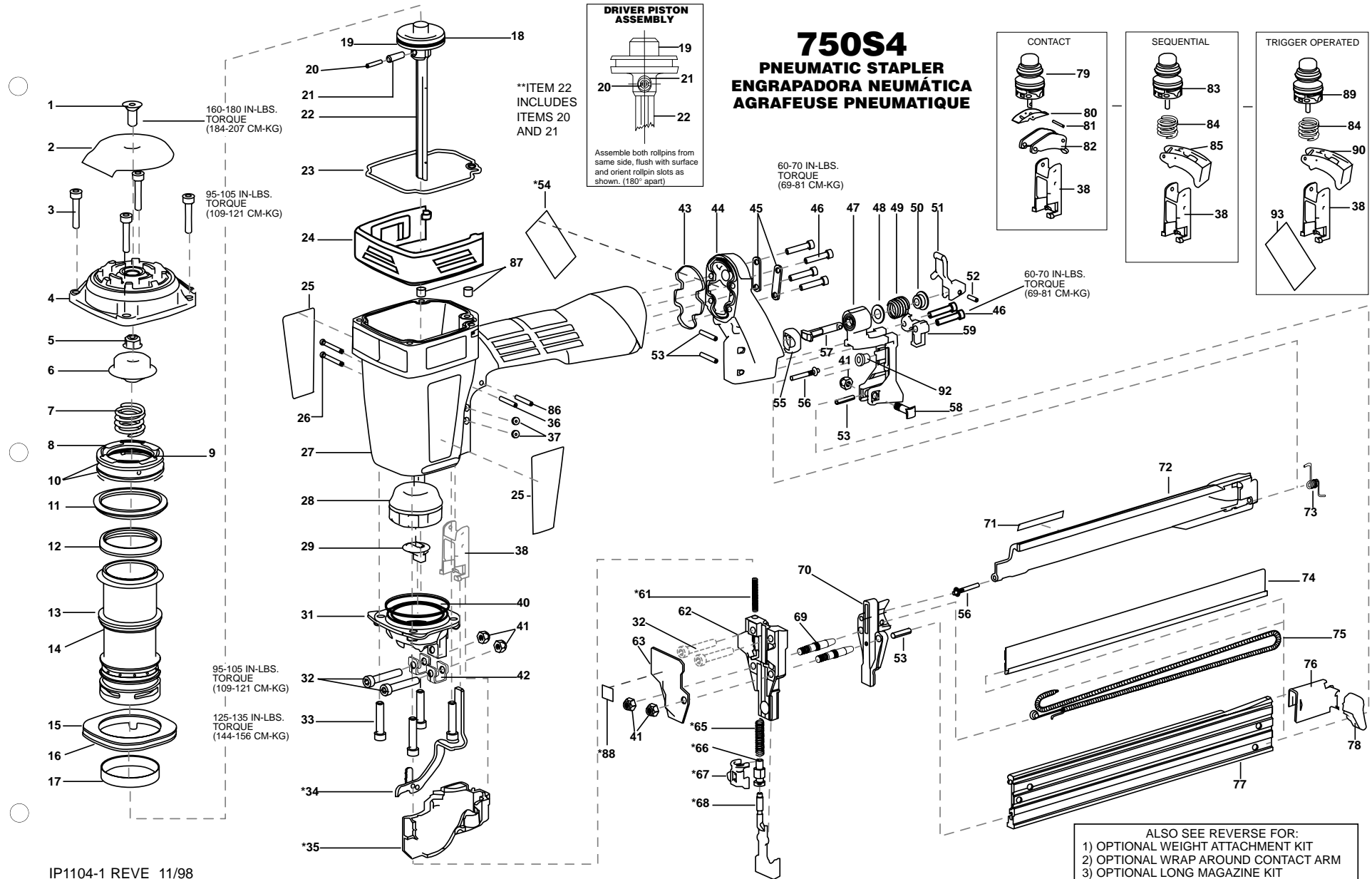
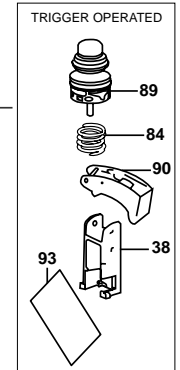
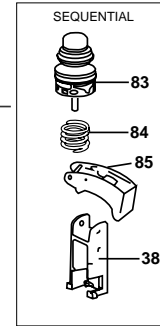
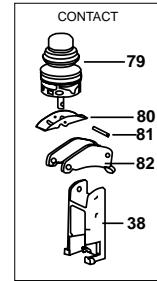
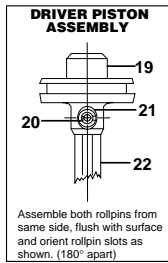


750S4 PNEUMATIC STAPLER ENGRAPDORA NEUMÁTICA AGRAFEUSE PNEUMÁTIQUE



ALSO SEE REVERSE FOR:
 1) OPTIONAL WEIGHT ATTACHMENT KIT
 2) OPTIONAL WRAP AROUND CONTACT ARM
 3) OPTIONAL LONG MAGAZINE KIT

*Not used for trigger operated tools.

Spare Parts for 750S4

Item#	Illus. #	Description
105749	1	SCREW,SFHCS,M8x1.25x20
103785	2	DEFLECTOR
MSC6100-30	3	SCREW,SHCS,M6X1.00X30
103816	4	CAP,FRAME
103859	5	NUT,HFN,M8X1.25
103760	6	BUMPER, TOP
103767	7	SPRING,HEAD VALVE
103761	8	VALVE, HEAD
MRG041630	9	O-RING,1.638X.118
103813	10	O-RING, 2.237 x 1.03
103818	11	RETAINER,CYL,SLEEVE
103814	12	SEAL,CYLINDER
850006	13	O-RING,1.987X.103
104597	14	CYLINDER
851753	15	O-RING,2.734X.139
104605	16	RING,CYLINDER SLEEVE
103862	17	GARTER BAND
103826	18	O-RING,PISTON,URETHANE
103759	19	PISTON
UB2111.2	20	PIN,SPRING,.125X.69
UB4809.1	21	PIN,SPRING,.219X.69
106074	22	KIT,DRIVER REPLACEMENT-750S4
103802	23	SEAL,FRAME TO CYL CAP
107149	24	PROTECTOR,FRAME
105797	25	LABEL
105811	26	SCREW,TRIGGER PIVOT
107180	27	FRAME OVERMOLD
103758	28	BUMPER,BOTTOM
103805	29	GUIDE,DRIVER,50S4

103782	31	BOTTOM,FRAME
MSC6100-35	32	SCREW,SHCS,M6X1.00X35
MSC6100-30	33	SCREW,SHCS,M6X1.00X30
105773	34	ARM,UPPER CONTACT ASSY
105808	35	COVER,CONTACT ARM ASSEMBLY
100298	36	PIN,SPRING,M3X30MM
MHE3050-100	37	NUT,ESN,M3X0.5
106953	38	UPPER TRIP GUIDE ASSY
RG198907-1	40	O-RING
MHE6100-100	41	NUT,ESN M6X1
105782	42	BRACE,LUG
103808	43	SEAL,CYLINDER END CAP
104602	44	CAP,FRAME END
103819	45	RETAINER,END CAP
MSC5080-25	46	SCREW,SHCS,M5X0.80X25
103786	47	CAP,MAGAZINE END
104612	48	WASHER
105786	49	SPRING,LATCH LEVER
103806	50	BUSHING,SPRING
103447	51	TOGGLE,MAGAZINE
MPG030012	52	PIN, ROLL 3 X 12
103858	53	PIN,SPRING,4X20MM
105809	54	LABEL,WARNING
103795	55	DISC,LATCH STOP
103768	56	PIN,MAGAZINE COVER
105780	57	PIN,LATCH
103851	58	BOLT,SQUARE(SPECIAL)
103776	59	MAGAZINE STOP
107310	61	SPRING,C.T.,INNER
107220	62	NOSE,750S4
103871	63	COVER,CONTACT ARM

105776	65	SPRING,C.T.,OUTER
103865	66	NUT,ADJUSTING
103864	67	ADAPTER
103792	68	ARM,LOWER CONTACT
103838	69	PIN,NOSE
103852	70	CORE TIP,750S4
105800	71	LABEL,MODEL,750S4
104600	72	COVER,MAGAZINE
103839	73	SPRING,TORSION
103797	74	COVER,CORE,S4
104613	75	SPRING,PUSHER ASSEMBLY
103845	76	PUSHER,S4
105790	77	CORE ASSEMBLY
103791	78	HANDLE,PUSHER
STV2	79	KIT,TRIGGER VALVE-SPEED S
T55092	80	ROCKER,TRIGGER
MPD016012	81	PIN,DOWEL,.062X.459
100607	82	ASSEMBLY,TRIGGER
TVA6	83	KIT,TRIGGER VALVE
100387	84	SPRING, COMPRESSION
SEQ2	85	KIT,SEQ TRIP CONV.
MPP030020	86	PIN,SPIROL M3X20MM
105821	87	SLEEVE,FRAME GUARD
851934	88	LABEL, TRIP ADJ. (STAPLE)
106869	89	KIT,TRIGGER VALVE
107191	90	TRIGGER OPER TRIGGER ASSY
106961	92	BEARING,COVER PIN
106833	93	LABEL,WARNING,TRIGGER OPER
107205	94	KIT,WEIGHT ATTACHMENT
107596	95	ARM,WRAP AROUND CT-750
108074	96	KIT,LONG MAGAZINE

