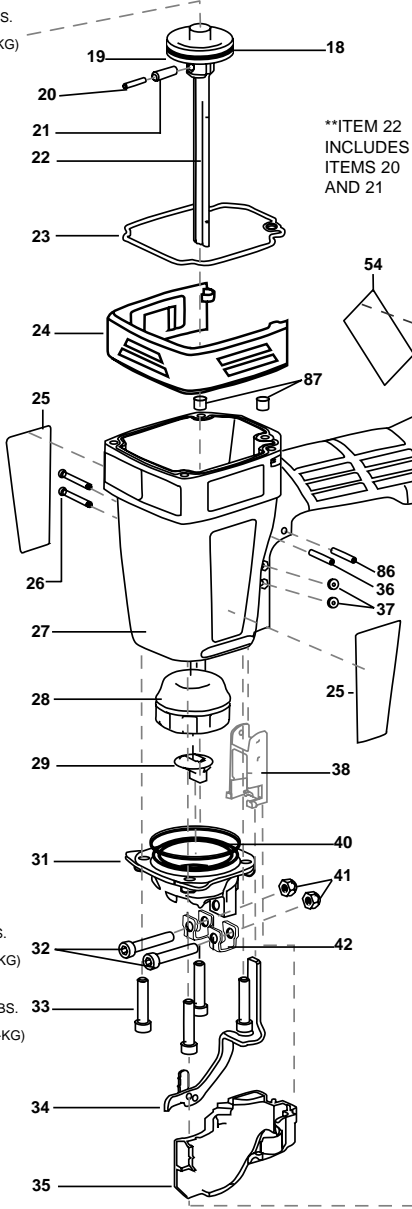
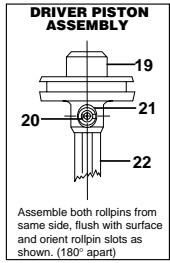


IP1106-1 REVE 11/98  
USE WITH PARTS LIST IP1106-2

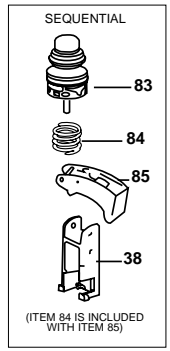
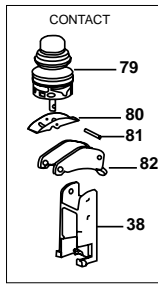


\*\*ITEM 22 INCLUDES ITEMS 20 AND 21

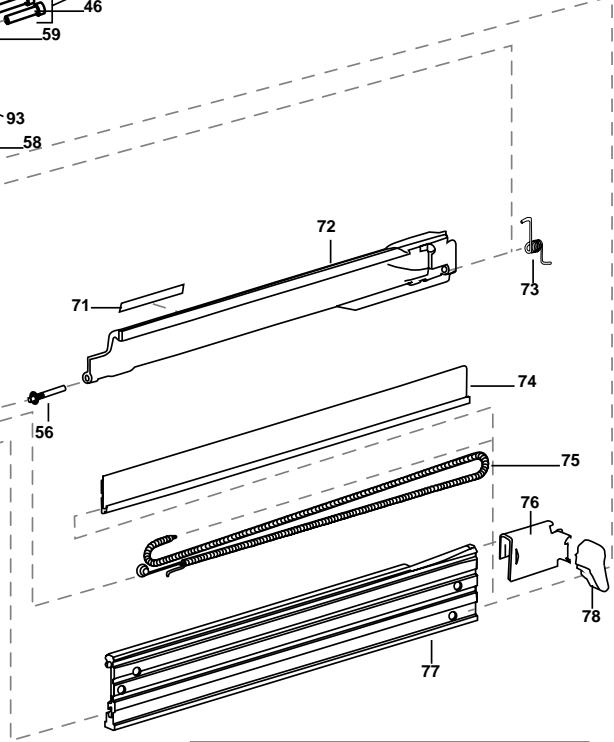
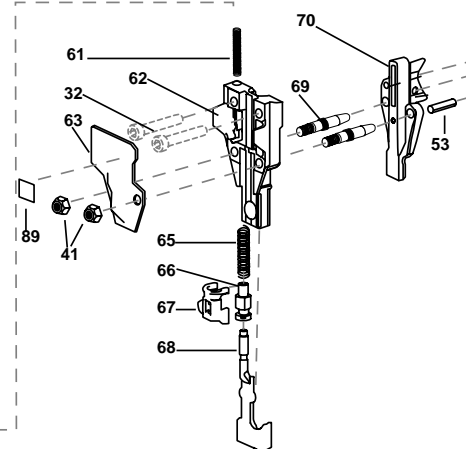


**850S4**  
**PNEUMATIC STAPLER**  
**ENGRAPADORA NEUMÁTICA**  
**AGRAFEUSE PNEUMATIQUE**

60-70 IN-LBS. TORQUE (69-81 CM-KG)



60-70 IN-LBS. TORQUE (69-81 CM-KG)



ALSO SEE REVERSE FOR:  
1) OPTIONAL WEIGHT ATTACHMENT KIT  
2) OPTIONAL WRAP AROUND CONTACT ARM  
3) OPTIONAL LONG MAGAZINE KIT

TO SAVE FOR FUTURE REFERENCE:  
To file this illustration in a ring binder, cut on the above line and punch holes where indicated on the other end of this sheet.

## Spare Parts for 850S4

Item#	Illus. #	Description
105749	1	SCREW,SFHCS,M8x1.25x20
103785	2	DEFLECTOR
102477	3	SCREW,SHCS,M6X1.00X45
103816	4	CAP,FRAME
103859	5	NUT,HFN,M8X1.25
103760	6	BUMPER, TOP
103767	7	SPRING,HEAD VALVE
103761	8	VALVE, HEAD
MRG041630	9	O-RING,1.638X.118
103813	10	O-RING, 2.237 x 1.03
103818	11	RETAINER,CYL,SLEEVE
103814	12	SEAL,CYLINDER
850006	13	O-RING,1.987X.103
104606	14	CYLINDER
851753	15	O-RING,2.734X.139
104607	16	BULKHEAD,800
103862	17	GARTER BAND
RG162514-1	18	O-RING,1.599X.138
103820	19	PISTON, 800
UB2111.2	20	PIN,SPRING,.125X.69
UB4809.1	21	PIN,SPRING,.219X.69
106076	22	KIT,DRIVER REPLACEMENT-850S4
103802	23	SEAL,FRAME TO CYL CAP
107149	24	PROTECTOR,FRAME
105797	25	LABEL
105811	26	SCREW,TRIGGER PIVOT
107180	27	FRAME OVERMOLD
107000	28	BUMPER,BOTTOM
103805	29	GUIDE,DRIVER,50S4

103782	31	BOTTOM,FRAME
MSC6100-35	32	SCREW,SHCS,M6X1.00X35
MSC6100-30	33	SCREW,SHCS,M6X1.00X30
105773	34	ARM,UPPER CONTACT ASSY
105808	35	COVER,CONTACT ARM ASSEMBLY
100298	36	PIN,SPRING,M3X30MM
MHE3050-100	37	NUT,ESN,M3X0.5
106953	38	UPPER TRIP GUIDE ASSY
RG198907-1	40	O-RING
MHE6100-100	41	NUT,ESN M6X1
105782	42	BRACE,LUG
103808	43	SEAL,CYLINDER END CAP
104602	44	CAP,FRAME END
103819	45	RETAINER,END CAP
MSC5080-25	46	SCREW,SHCS,M5X0.80X25
103786	47	CAP,MAGAZINE END
104612	48	WASHER
105786	49	SPRING,LATCH LEVER
103806	50	BUSHING,SPRING
103447	51	TOGGLE,MAGAZINE
MPG030012	52	PIN, ROLL 3 X 12
103858	53	PIN,SPRING,4X20MM
105809	54	LABEL,WARNING
103795	55	DISC,LATCH STOP
103768	56	PIN,MAGAZINE COVER
105780	57	PIN,LATCH
103851	58	BOLT,SQUARE(SPECIAL)
103776	59	MAGAZINE STOP
107310	61	SPRING,C.T.,INNER
107222	62	NOSE,850S4
104615	63	COVER,CONTACT ARM

105776	65	SPRING,C.T.,OUTER
103865	66	NUT,ADJUSTING
103864	67	ADAPTER
103794	68	ARM,LOWER CONTACT
103838	69	PIN,NOSE
103835	70	CORE TIP,850S4
105803	71	LABEL,MODEL,850S4
104600	72	COVER,MAGAZINE
103839	73	SPRING,TORSION
103797	74	COVER,CORE,S4
104613	75	SPRING,PUSHER ASSEMBLY
103845	76	PUSHER,S4
105790	77	CORE ASSEMBLY
103791	78	HANDLE,PUSHER
STV2	79	KIT,TRIGGER VALVE-SPEED S
T55092	80	ROCKER,TRIGGER
MPD016012	81	PIN,DOWEL,.062X.459
100607	82	ASSEMBLY,TRIGGER
TVA6	83	KIT,TRIGGER VALVE
100387	84	SPRING, COMPRESSION
SEQ2	85	KIT,SEQ TRIP CONV.
MPP030020	86	PIN,SPIROL M3X20MM
105821	87	SLEEVE,FRAME GUARD
106174	88	SPACER,800
851934	89	LABEL, TRIP ADJ. (STAPLE)
106961	93	BEARING,COVER PIN
107205	94	KIT,WEIGHT ATTACHMENT
107290	95	ARM,WRAP AROUND CT-800
108076	96	KIT,LONG MAGAZINE