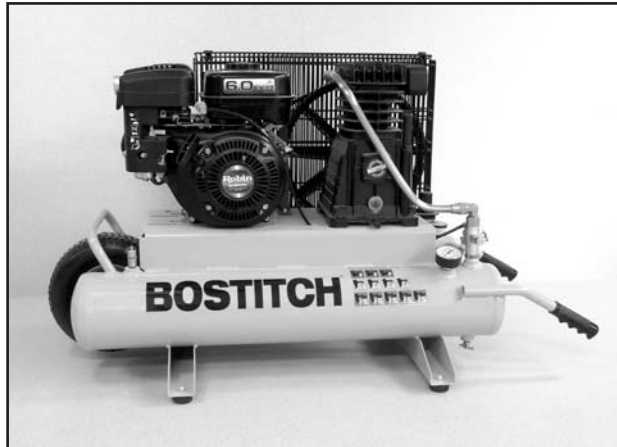


BOSTITCH®

CAP6080WB

GAS POWERED WHEELBARROW AIR COMPRESSOR



TOOL PARTS ILLUSTRATION
ILUSTRACIÓN DE LAS PIEZAS DE LA HERRAMIENTA
ILLUSTRATION DES PIÈCES D'OUTILLAGE

⚠WARNING:

⚠ADVERTENCIA:

⚠ATTENTION :

BEFORE PERFORMING REPAIRS ON THIS TOOL, ALL OPERATORS SHOULD STUDY THIS ILLUSTRATION, AS WELL AS THE PARTS LIST AND OPERATION AND MAINTENANCE MANUAL. OPERATORS SHOULD UNDERSTAND AND FOLLOW ALL SAFETY WARNINGS AND INSTRUCTIONS. KEEP THIS ILLUSTRATION WITH THE TOOL FOR FUTURE REFERENCE. IF YOU HAVE ANY QUESTIONS, CONTACT YOUR BOSTITCH REPRESENTATIVE DISTRIBUTOR.

ANTES DE LLEVAR A CABO CUALQUIER REPARACIÓN EN LA HERRAMIENTA, TODOS LOS OPERARIOS DEBERÁN ESTUDIAR ESTA ILUSTRACIÓN, ASÍ COMO LA LISTA DE PIEZAS Y EL MANUAL DE OPERACIÓN Y MANTENIMIENTO. LOS OPERARIOS DEBERÁN ENTENDER Y SEGUIR TODAS LAS ADVERTENCIAS E INSTRUCCIONES DE SEGURIDAD. CONSERVE ESTA ILUSTRACIÓN CON LA HERRAMIENTA PARA PODER CONSULTARLA EN LO FUTURO. SI TUVIERA ALGUNA PREGUNTA, PÓNGASE EN CONTACTO CON SU REPRESENTANTE O DISTRIBUIDOR DE BOSTITCH.

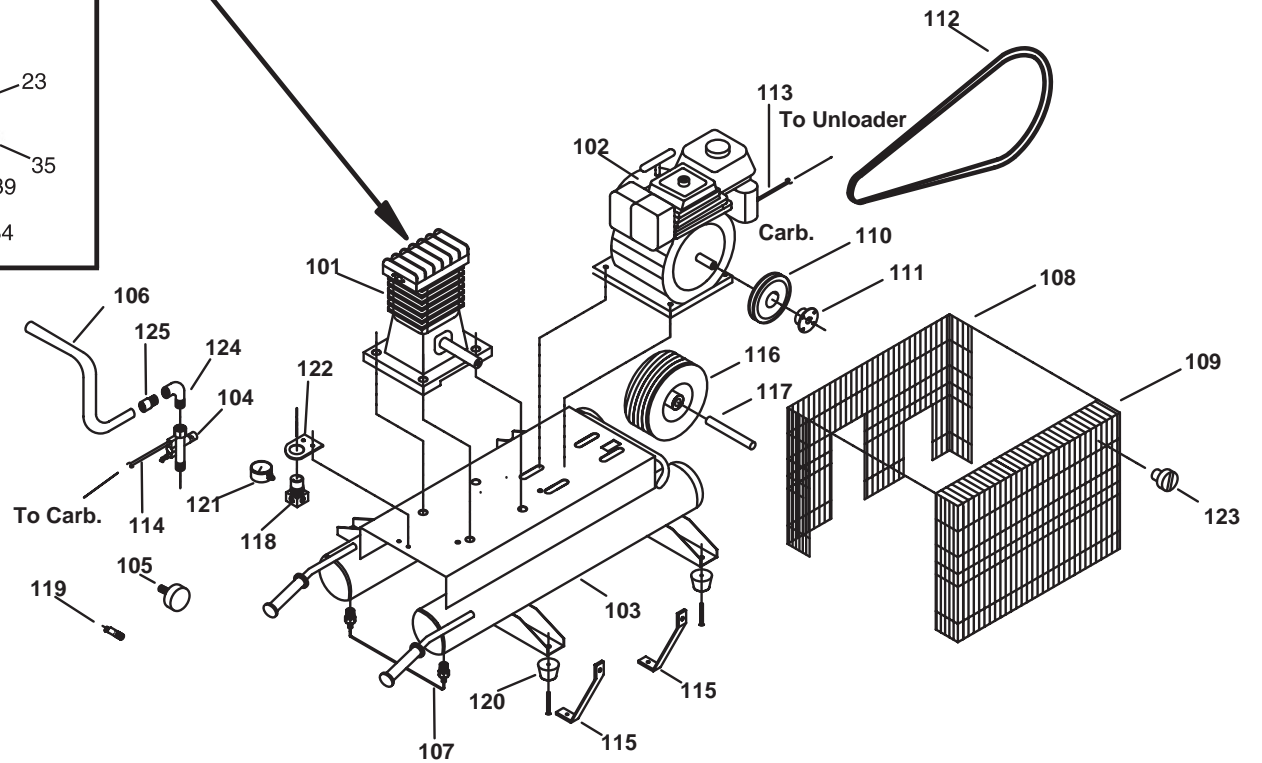
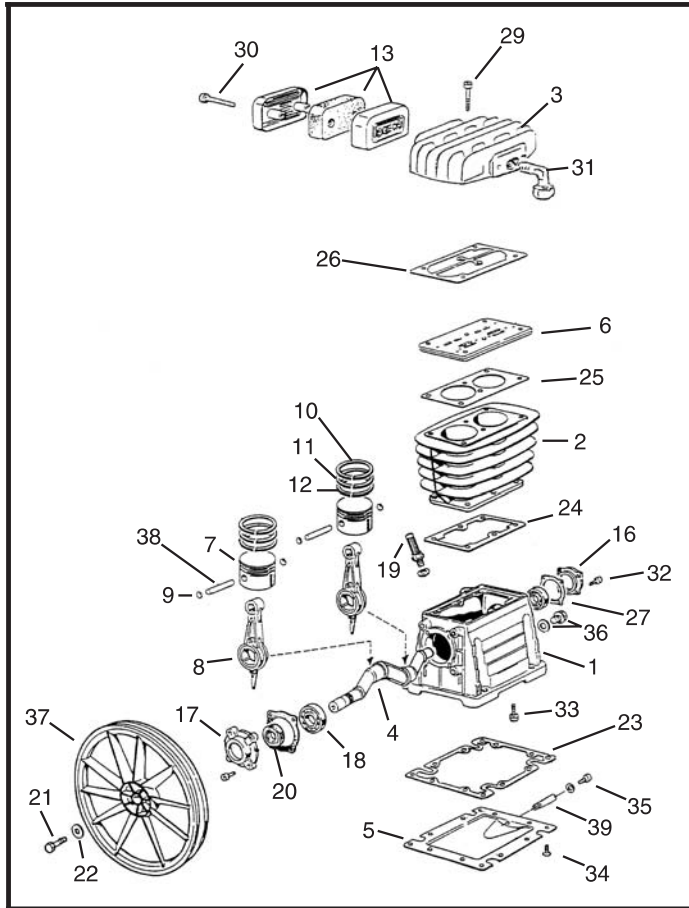
AVANT DE PROCÉDER À LA RÉPARATION DE CET OUTIL, LES OPÉRATEURS DOIVENT ÉTUDIER LA PRÉSENTE ILLUSTRATION AINSI QUE LA LISTE DE PIÈCES ET LE MANUEL D'INSTRUCTIONS ET D'ENTRETIEN ; ILS DOIVENT ÉGALEMENT COMPRENDRE ET OBSERVER LES CONSIGNES DE SÉCURITÉ ET LES INSTRUCTIONS. CONSERVER CETTE ILLUSTRATION AVEC L'OUTIL POUR RÉFÉRENCE FUTURE. SI VOUS AVEZ DES QUESTIONS, COMMUNIQUEZ AVEC VOTRE REPRÉSENTANT OU VOTRE DISTRIBUTEUR DE BOSTITCH.

BOSTITCH®

Stanley Fastening Systems

CAP6080WB

GAS POWERED WHEELBARROW AIR COMPRESSOR



Item#	Illus. #	Description
AB3660100	<u>1</u>	CRANKCASE
AB3630000	<u>2</u>	CYLINDER
AB3860401	<u>3</u>	HEAD
AB3660200	<u>4</u>	CRANKSHAFT
AB3660160	<u>5</u>	CRANKCASE BOTTOM
AB2840050	<u>6</u>	VALVE ASSEMBLY
AB1421100	<u>7</u>	PISTON
AB3610100	<u>8</u>	CON ROD
AB9140040	<u>9</u>	CIRCLIP
AB9020011	<u>10</u>	STEP RING
AB9020041	<u>11</u>	COMPRESSION RING
AB9020071	<u>12</u>	OIL RING
AB2881000	<u>13</u>	FILTER ASSEMBLY
AB2060690	<u>16</u>	BEARING HOUSING (NDS)
AB2060590	<u>17</u>	BEARING HOUSING (DS)
AB9170030	<u>18</u>	MAIN BEARING
AB9024021	<u>19</u>	OIL FILL PLUG
AB9163010	<u>20</u>	OIL SEAL
AB9110014	<u>21</u>	BOLT
AB9004008	<u>22</u>	WASHER
AB3650100	<u>23</u>	CRANKCASE GASKET
AB3650201	<u>24</u>	FRAME GASKET
AB2850300	<u>25</u>	CYLINDER GASKET
AB2850400	<u>26</u>	HEAD GASKET
AB2050500	<u>27</u>	BEARING GASKET
AB9101594	<u>29</u>	HEAD BOLT
AB9114279	<u>30</u>	BOLT
ABFIB0504ME	<u>31</u>	ELBOW
AB9101094	<u>32</u>	BOLT
AB9107254	<u>33</u>	BOLT
AB9114273	<u>34</u>	BOLT
AB9101154	<u>35</u>	DRAIN PLUG
AB9022008	<u>36</u>	OIL SIGHT GLASS
AB3600100	<u>37</u>	FLYWHEEL
AB3021200	<u>38</u>	WRIST PIN
AB-9053853	<u>39</u>	OIL DRAIN TUBE
ABB3800	<u>101</u>	PUMP,CAP2080 & 6080WB
ABU112	<u>104</u>	PILOT VALVE
ABGA300	<u>105</u>	PRESSURE GAUGE
ABDT017	<u>106</u>	COPPER TUBING
ABFIB02DC	<u>107</u>	DRAIN VALVE
ABBG22163TBCO	<u>108</u>	BELT GUARD
ABBG22163F	<u>109</u>	BELT GUARD (FRONT)
ABSAK66H	<u>110</u>	PULLEY
ABSL34	<u>111</u>	BUSHING
ABBA52	<u>112</u>	BELT
ABICGX160	<u>113</u>	IDLE CONTROL
ABFINB4040	<u>114</u>	UNLOADER LINE (3FT)
ABBKTBE	<u>115</u>	BRACKET
ABTK105W	<u>116</u>	WHEEL

ABTK8X	<u>117</u>	AXLE
AB1400086	<u>118</u>	REGULATOR
ABSV25150	<u>119</u>	SAFETY VALVE
ABRB1575	<u>120</u>	FEET
AB-9052015	<u>121</u>	PRESSURE GAUGE 50 1/4IN
ABBKTRSMALL	<u>122</u>	BRACKET
AB5001369	<u>123</u>	BELT GUARD FASTENER
ABFIB0504ME	<u>124</u>	ELBOW
ABFIB0504MC	<u>125</u>	5/8X1/2 MALE TUBE