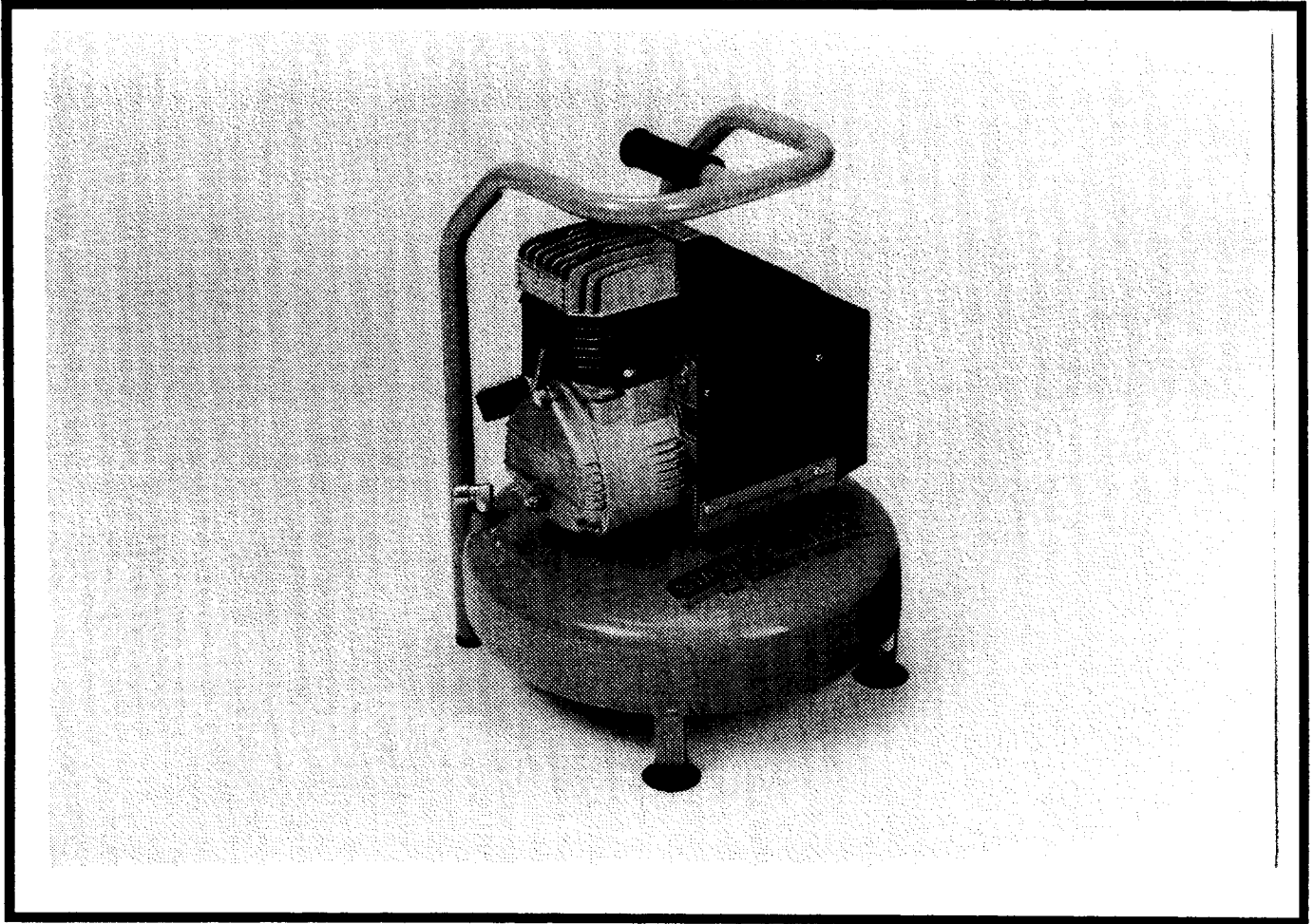


CWC100



FEATURES

Compact, Lightweight Design

1 Horsepower Electric Motor

4 Gallon Tank Capacity

Conventionally Lubricated

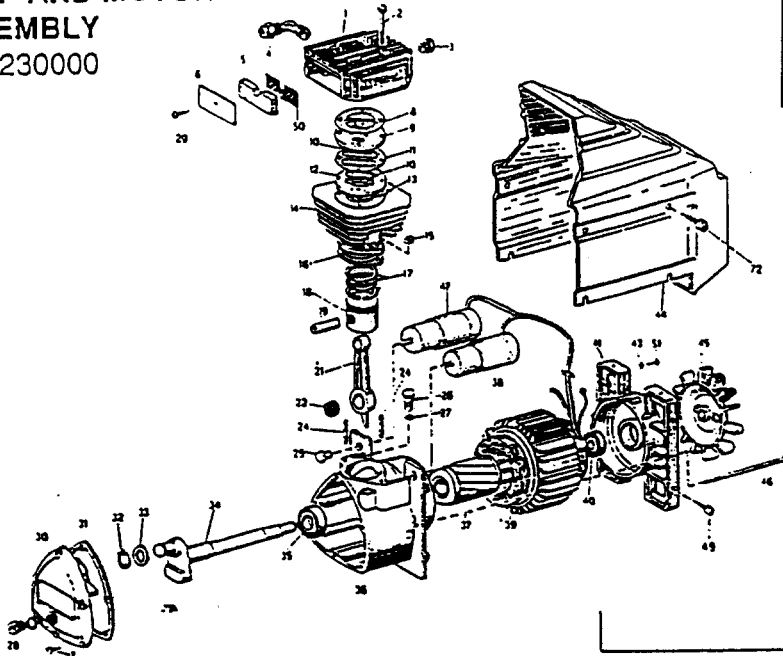
Low Amperage Draw

Rugged Construction

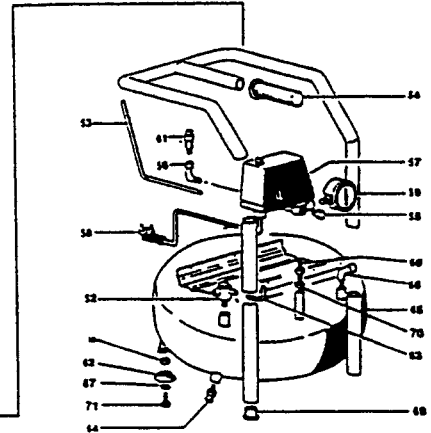
CWC100 PARTS DRAWING AND PARTS LIST

PUMP AND MOTOR
ASSEMBLY
0011230000

With Oil Level Sight Glass



TANK AND
PRESSURE SWITCH



Motor and Pump Parts

KEY NO.	QTY.	DESCRIPTION	PART NO.	KEY NO.	QTY.	DESCRIPTION	PART NO.
1	1	Head GM200	5030011008	28	1	Oil Level Sight Glass	7180040000
2	4	Screws M6 x 50 R80B	7011010000	29	1	Screw	7012060000
3	1	Starting Valve 3/8"	7196010000	30	1	Crank Case Cover	5080011008
4	1	Elbow L3/8M. Tube D10	7084040000	31	1	Crank Case Cover Gasket	7078320000
5	2	Filter Element	7210010000	32	1	Retaining Ring	7040040000
6	1	Filter Plate	7458011000	33	1	Plain Washer	7038010000
7	3	Screws KNIPP 3.9 x 16	7012100000	34	1	Crank Shaft GM100-200	5040020008
8-11, 13-16	1	Gasket Kits D50	4082010000	35	1	Ball Bearing 6205 2RS	7060020000
9	1	Valve Plate - Upper	7458020000	36	1	Crank Case GM100-200	5070150008
10	1	Reed Valve Kit 10 PZ	4081010000	37	1	Rotor D80 L75 GM100	5090040008
12	1	Valve Plate - Lower	7458020000	38	1	Condenser MF20 V450	7310100000
14	1	Cylinder	5060170008	39	1	Motor Housing GM1104PHP1V115/60	4010520000
15	2	Nuts M8 Zinc	7020070000	40	1	Ball Bearing 6203 ZZ	7060010000
17	1	Piston Ring Kits	4080020000	41	1	Motor Housing Back Plate GM	5110010008
18	1	Piston	7220020000	43	1	Lock Washer D4	7031020000
19	1	Wrist Pin	7050020000	44	1	Motor Guard GM	7150150000
21	1	Connecting Rod	5050091008	45	1	Fan	7200010000
22	1	Roller Bearing	7061010000	46	2	Housing Bolts M6 x 136	7018010000
				47	1	Condenser, MF40 V250 HZ50	7310140000
24	2	Stud M8 x 32 Zinc	7015020000	49	4	Motor Base Screws 5 mm	7012090000
25	2	Nut	7028010000	50	1	Filter Screen Plate	7458031000
26	1	Oil Plug	7098010000	51	1	Screw KNIPP D4 2 x 9 2	7012030000
27	1	O-Ring 108-8. 73 x 1.78	7070010000	72	4	Motor Guard Screw 4 mm.	7012060000

Tank and Pressure Switch Parts

KEY NO.	QTY.	DESCRIPTION	PART NO.	KEY NO.	QTY.	DESCRIPTION	PART NO.
52	1	Head Unloader Valve	7190040000	62	2	Rubber Foot Pad	7270010000
53	1	Filler Pipe	7239160000	63	1	Connector Tube	7235030000
54	1	Hand Grip	7280030000	64	1	Drain Valve	7130280000
55	1	Plug	7090070000	65	1	Tank	5153170008
56	1	Elbow	7080180000	66	1	Elbow	7080170000
57	1	Pressure Switch	7250320000	67	4	Washer	7030020000
58	1	Power Cord	4100070000	68	2	Hex Nut	7020060000
59	1	Tank Pressure Gauge	7110180000	69	2	Rubber Foot	7360040000
60	1	Nipple	7081140000	70	1	Lock Nut	7023040000
61	1	Safety Valve	7192170000	71	2	Bolt	7011040000

IF WARRANTY SERVICE OR REPAIRS ARE NEEDED, CONTACT YOUR NEAREST AUTHORIZED SERVICE CENTER. OR, CONTACT THE FACTORY. UNAUTHORIZED REPAIRS OR TEARDOWN OF THE UNIT WILL VOID THE FACTORY WARRANTY.