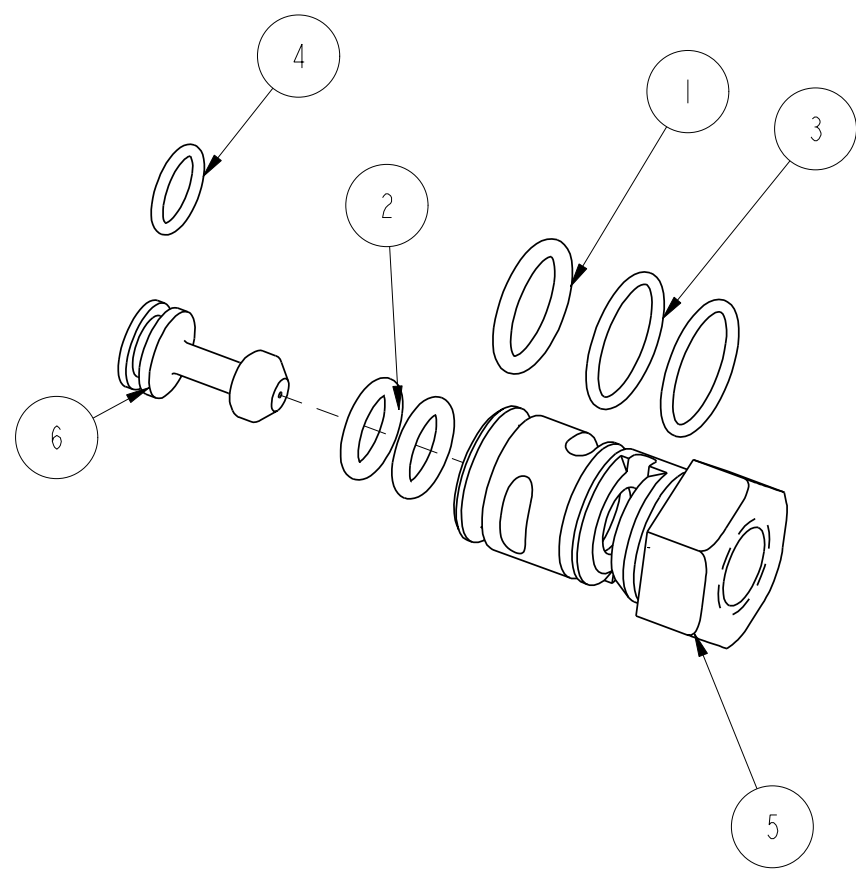
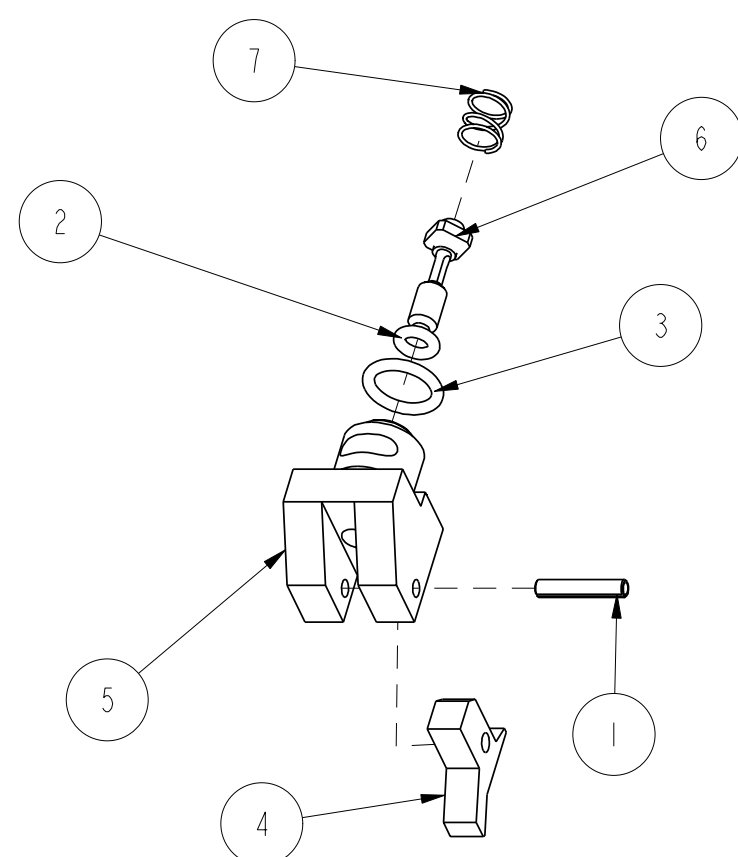


Main Valve HR-55047 Assembly BOM			
Index	Part No.	Quantity	Description
1	HR-15010	1	O-RING 9/16 X 3/4 X 3/32
2	HR-15012	2	O-RING 3/8 X 9/16 X 3/32
3	HR-15013	2	O-RING 5/8 X 3/4 X 1/16
4	HR-15014	1	O-RING 3/8 X 1/2 X 1/16
5	HR-56170	1	MAIN VALVE BODY
6	HR-56177	1	VALVE PISTON



MAIN VALVE ASSEMBLY  
PART NO. HR-55047

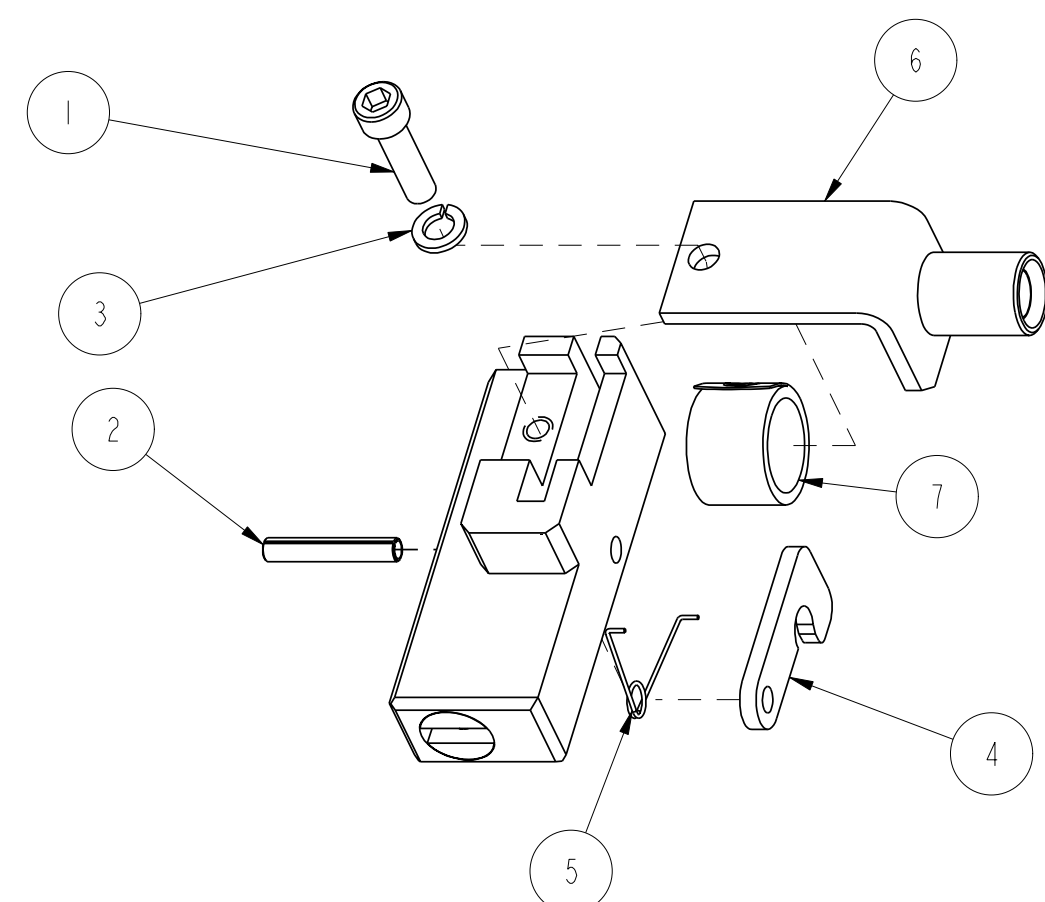
Pilot Valve HR-55048 Assembly BOM			
Index	Part No.	Quantity	Description
1	HR-15002	1	PIN, ROLL 3/32 x 1/2
2	HR-15008	1	O-RING 1/8 X 1/4 X 1/16
3	HR-15009	1	O-RING 5/16 X 7/16 X 1/16
4	HR-55013	1	VALVE LEVER
5	HR-55014	1	PILOT VALVE BODY
6	HR-55015	1	VALVE STEM
7	HR-55016	1	SPRING



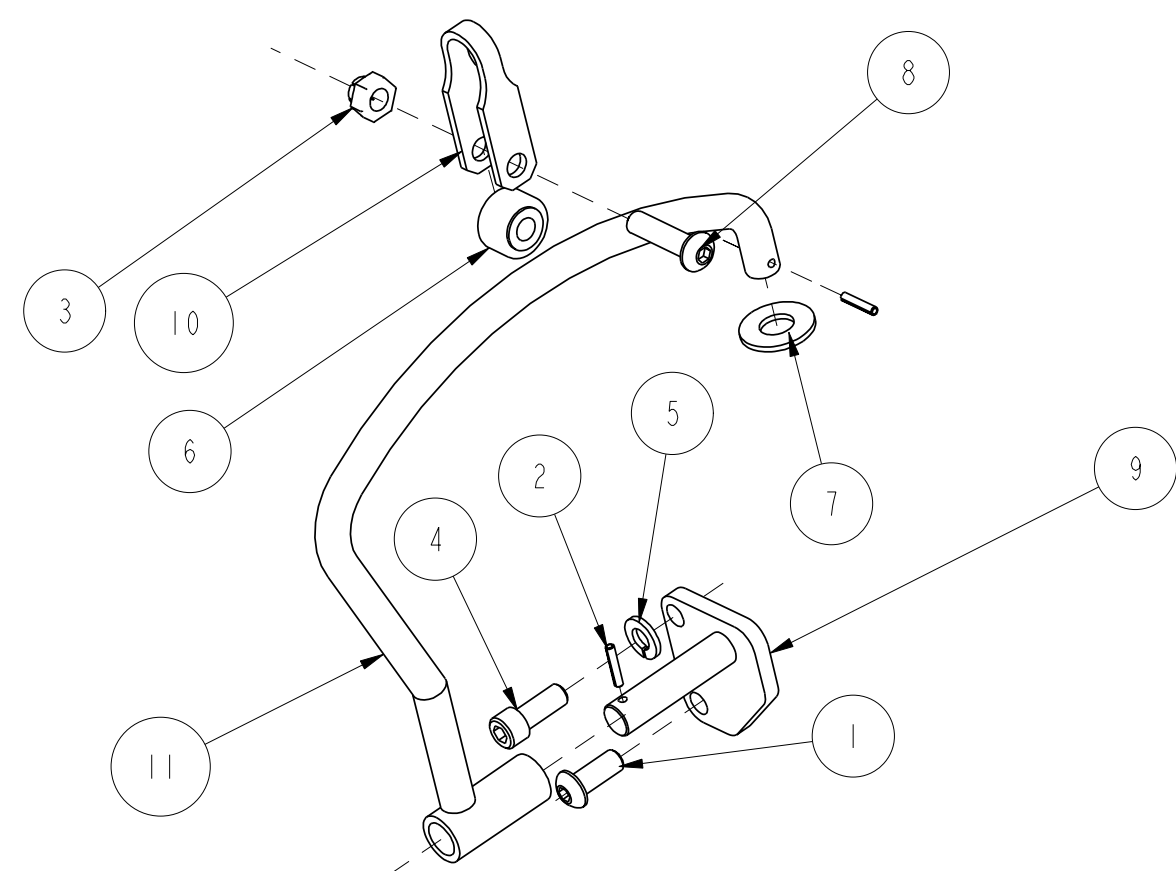
PILOT VALVE ASSEMBLY  
PART NO. HR-55048

Follower HR-55051 Assembly BOM			
Index	Part No.	Quantity	Description
1	HR-15025	1	SHCS, 8/32 x 5/8
2	HR-15026	1	PIN, ROLL 1/8 x 3/4
3	HR-15032	1	FOLLOWER LATCH
4	HR-55032	1	ASSEMBLY, LATCH
5	HR-55038	1	LATCH SPRING
6	HR-55039	1	ASSEMBLY, FOLLOWER BRACKET
7	HR-55040	1	SPRING

Assembly BOM			
Index	Part No.	Quantity	Description
1	HR-15000	1	1/4-20 x 5/8 BHSCS
2	HR-15002	2	PIN, ROLL 3/32 x 1/2
3	HR-15023	1	1/4-20 FLEXLOC NUT
4	HR-15028	1	1/4-20 x 5/8 SHCS
5	HR-15031	1	1/4 LOCK WASHER
6	HR-15037	1	CAM ROLLER
7	HR-15038	1	WASHER 3/8 I.D. X 1/16
8	HR-15316	1	BHSCS 1/4-20 x 1
9	HR-55053	1	HANGER SUPPORT
10	HR-55095	1	YOKE
11	HR-55096	1	ASSEMBLY, SESPENSION HANGER

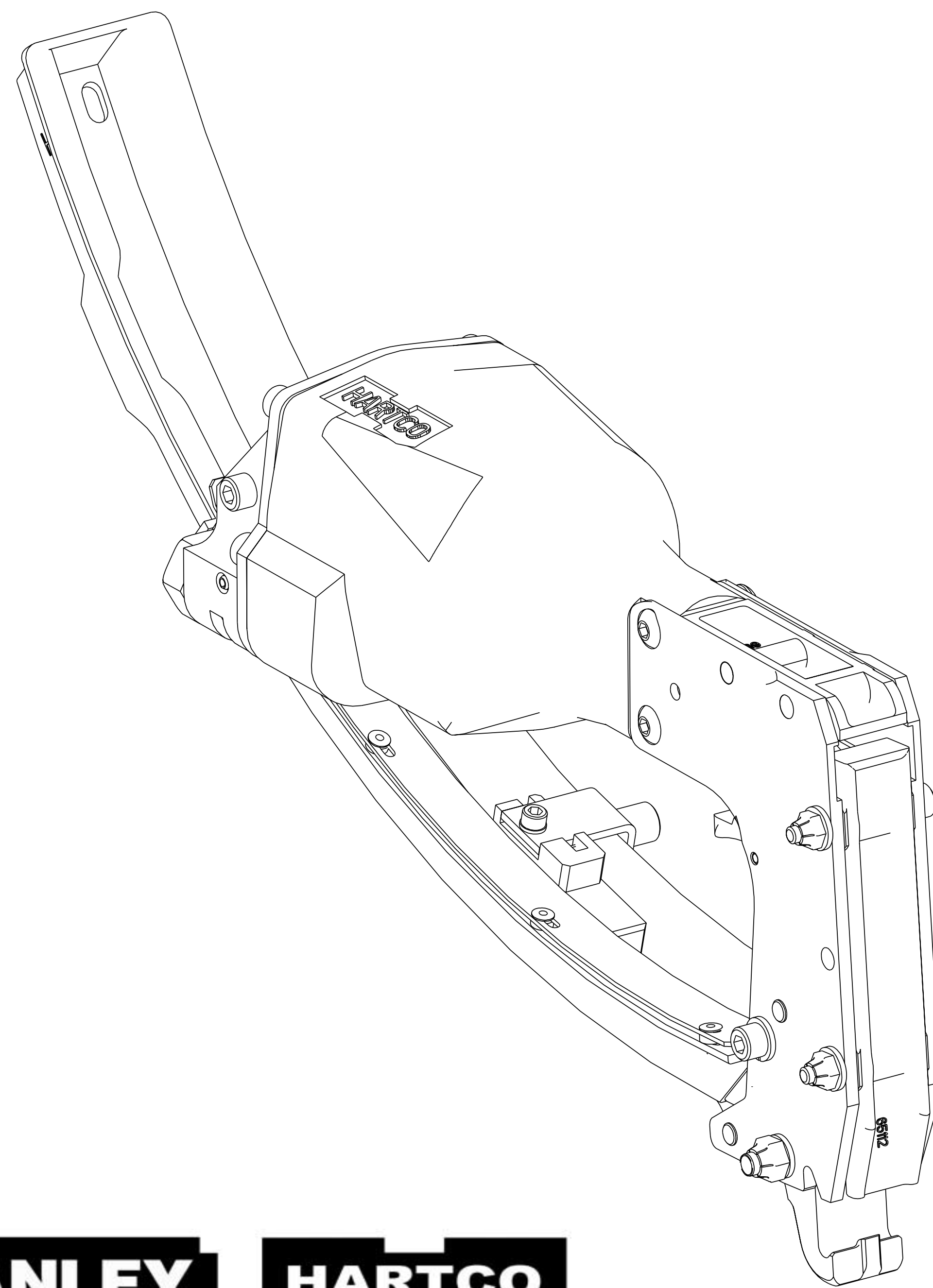


FOLLOWER ASSEMBLY



SUSPENSION HANGER ASSEMBLY  
PART NO. HR-55097

# HARTCO CLINCHING TOOLS SERIES B PARTS LIST



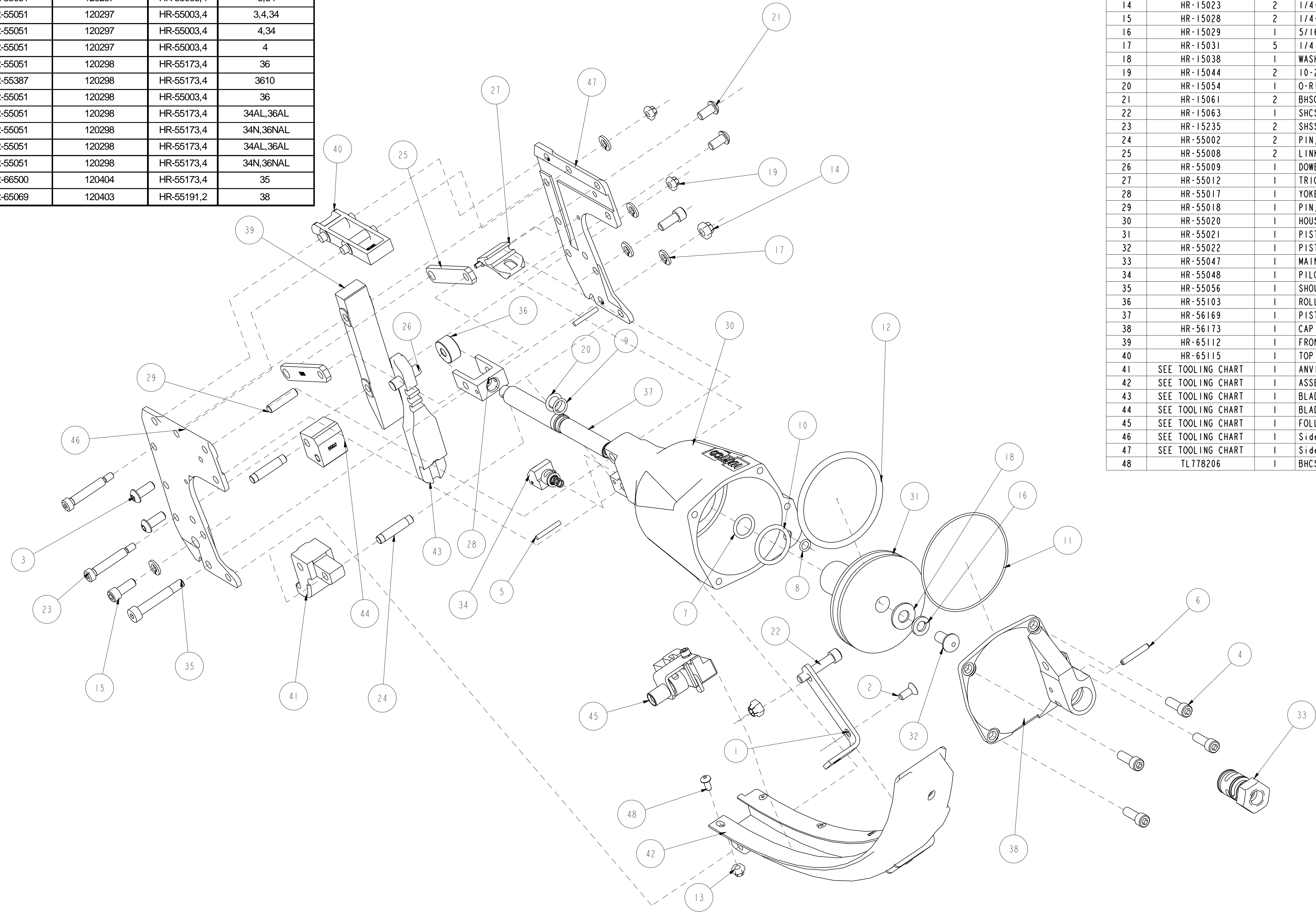
**STANLEY** **HARTCO**  
Stanley Fastening Systems

7707 Austin Avenue  
Phone:(847)-967-1122

Skokie, Illinois 60077-2688  
Fax:(847)-967-9808

**CL TOOLING APPLICATION CHART**

TOOL MODEL	ANVIL	BLADE	BLADE GUIDE	FOLLOWER ASSEMBLY	MAGAZINE/COVER ASSEMBLY	SIDE PLATE	CLIP NUMBER
HR-55B	120364	HR-65111-10	HR-55005	HR-55051	120296	HR-55003,4	3,4,312,412
HR-65BAH	HR-65140	HR-65111-02	HR-55102	HR-55051	120295	HR-55003,4	22, 23,24,2412,25,29
HR-65BAT	HR-65140-01	HR-65111-02	HR-55102	HR-55051	120295	HR-55003,4	22,23,24,2412,25,29
HR-65BS	HR-120365	HR-65111-09	HR-55102	HR-55051	12095	HR-55003,4	24H
HR-65BSH	HR-65140	HR-65111-01	HR-55102	HR-55051	120295	HR-55003,4	23,24,2412
HR-66B	HR-65141-01	HR-65111-03	HR-55005	HR-55051	120296	HR-55003,4	3,4,312,412
HR-66BJ	HR-65141-03	HR-65111-03	HR-55005	HR-55051	120296	HR-55003,4	3,4,312,412
HR-68B	HR-65140-02	HR-55391	HR-55388	HR-55387	120296	HR-55003,4	20
HR-85B	HR-65141	HR-65111-05	HR-55177	HR-55051	120297	HR-55003,4	5,34
HR-85BA	HR-65141	HR-65111-04	HR-55177	HR-55051	120297	HR-55003,4	3,4,34
HR-85BF	HR-65141	HR-65111-12	HR-55177	HR-55051	120297	HR-55003,4	4,34
HR-85BMO	HR-65141-03	HR-65111-04	HR-55177	HR-55051	120297	HR-55003,4	4
HR-85SB	HR-65142	HR-65111-07	HR-55177	HR-55051	120298	HR-55173,4	36
HR-85SB10	HR-65142-03	HR-56021	HR-56022	HR-55387	120298	HR-55173,4	3610
HR-85SBF	HR-65141	HR-65111-12	HR-55177	HR-55051	120298	HR-55003,4	36
HR-85SBL	HR-65142	HR-65111-04	HR-55177	HR-55051	120298	HR-55173,4	34AL,36AL
HR-85SBLN	HR-65142-02	HR-65111-06	HR-55167	HR-55051	120298	HR-55173,4	34N,36NAL
HR-85SBLT	HR-65141-01	HR-65111-04	HR-55177	HR-55051	120298	HR-55173,4	34AL,36AL
HR-85SBLTN	HR-65141-02	HR-65111-06	HR-55167	HR-55051	120298	HR-55173,4	34N,36NAL
HR-85SBN	HR-65142-02	HR-120362	HR-120411	HR-66500	120404	HR-55173,4	35
HR-88B	120380	HR-55189	HR-55193	HR-65069	120403	HR-55191,2	38



Assembly BOM			
Index	Part No.	Quantity	Description
1	120382	1	BRACKET
2	120383	1	#10 X 3/8 LONG PHILLIPS FLAT HEAD SCREW
3	HR-15000	2	1/4-20 x 5/8 BHSCS
4	HR-15001	4	SHCS 1/4-20 x 3/4
5	HR-15004	2	DOWEL PIN 1/8 X 7/8
6	HR-15005	1	5/32 x 1 ROLL PIN
7	HR-15010	1	O-RING 9/16 X 3/4 X 3/32
8	HR-15011	1	O-RING 1/4 X 3/8 X 1/16
9	HR-15014	1	O-RING 3/8 X 1/2 X 1/16
10	HR-15015	1	O-RING 7/8 X 1/8 X 1/8
11	HR-15016	1	O-RING 2-7/8 X 3 X 1/16
12	HR-15017	1	O-RING 2-3/4 X 3-1/8 X 1/8
13	HR-15020	1	8-32 FLEXLOC NUT
14	HR-15023	2	1/4-20 FLEXLOC NUT
15	HR-15028	2	1/4-20 x 5/8 SHCS
16	HR-15029	1	5/16 LOCK WASHER
17	HR-15031	5	1/4 LOCK WASHER
18	HR-15038	1	WASHER 3/8 I.D. X 1/16
19	HR-15044	2	10-24 FLEXLOC NUT
20	HR-15054	1	O-RING 3/8 X 9/16 X 3/32
21	HR-15061	2	BHSCS 1/4-20 x 1/2
22	HR-15063	1	SHCS 1/4-20 x 1-1/4
23	HR-15235	2	SHSS 1/4 x 1.25
24	HR-55002	2	PIN, SIDE PLATE
25	HR-55008	2	LINK
26	HR-55009	1	DOWEL
27	HR-55012	1	TRIGGER ASSEMBLY
28	HR-55017	1	YOKE-PISTON ROD
29	HR-55018	1	PIN, PISTON
30	HR-55020	1	HOUSING
31	HR-55021	1	PISTON
32	HR-55022	1	PISTON SCREW
33	HR-55047	1	MAIN VALVE ASSEMBLY
34	HR-55048	1	PILOT VALVE ASSEMBLY
35	HR-55056	1	SHOULDER BOLT
36	HR-55103	1	ROLLER-YOKE
37	HR-56169	1	PISTON ROD
38	HR-56173	1	CAP
39	HR-65112	1	FRONT PLATE
40	HR-65115	1	TOP PLATE CASTING-MACHINED
41	SEE TOOLING CHART	1	ANVIL
42	SEE TOOLING CHART	1	ASSEMBLY, MAGAZINE/COVER
43	SEE TOOLING CHART	1	BLADE
44	SEE TOOLING CHART	1	BLADE GUIDE
45	SEE TOOLING CHART	1	FOLLOWER ASSEMBLY
46	SEE TOOLING CHART	1	Side Plate (L.H.)
47	SEE TOOLING CHART	1	Side Plate (R.H.)
48	TL778206	1	BHCS 8-32 x 3/8