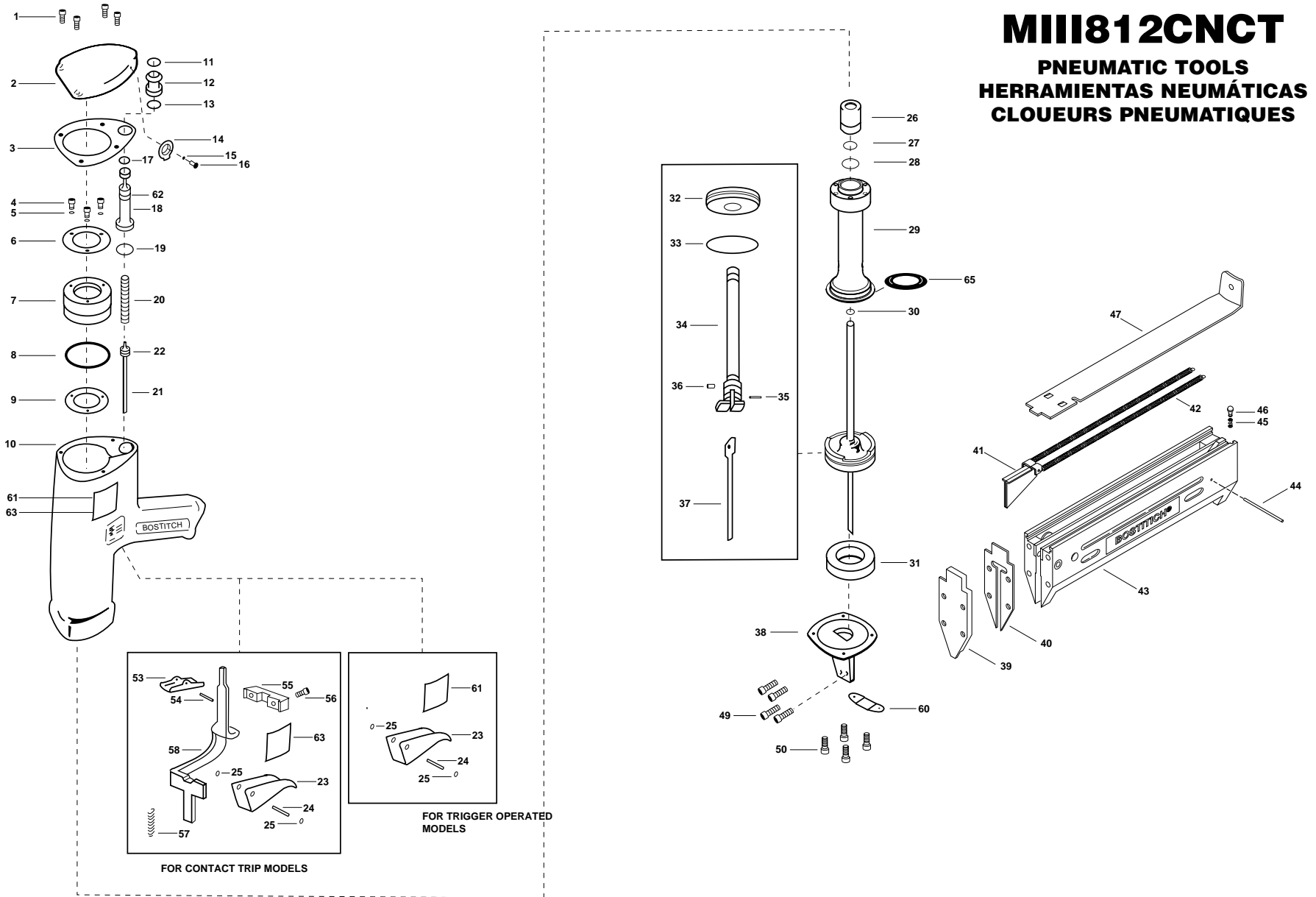


MIII812CNCT

PNEUMATIC TOOLS
HERRAMIENTAS NEUMÁTICAS
CLOUEURS PNEUMATIQUES



Spare Parts for MIII812CNCT

Item#	Illus. #	Description
UA3810.4	1	SCREW,10-24 X 5/8 SHCS
BC1457	2	CAP
BC1329	3	GASKET
UA2810	4	SCREW,SHCS,8-32X5/8
LW8.2	5	WASHER, LOCK
BC846	6	WASHER,PLATE,POPPET
BC702	7	POPPET PISTON
86460	8	O-RING,1.859X.139
BC701	9	GASKET,POPPET PISTON
BC1328A	10	BODY
86314	11	O-RING,.864X.070
BC1331	12	VALVE SEAT
87251	13	O-RING,.739X.070
BC829	14	EXHAUST DEFLECTOR
SW8	15	WASHER, SHAKE PROOF
UA2804.3	16	SCREW,SLBIHS,8-32X1/4
88999	17	O-RING,.362X.103
BC1456A	18	PILOTED VALVE
88998	19	O-RING,.674X.103
BC1334	20	VALVE SPRING
106912	21	ASSEMBLY,PILOTING VALVE
T34002	22	SEAL
BC1339	23	TRIGGER
BC1336	24	TRIGGER PIVOT PIN
86468	25	RING, RETAINING
BC703	26	PLUNGER
86458	27	O-RING,.489X.070
850144	28	O-RING,.614X.070
121800	29	POPPET

850143	30	O-RING,.487x.103
BC711F	31	BUMPER
BC1175	32	DRIVER PISTON
850626	33	O-RING,1.984X.139
BC1455	34	PISTON STEM
UB4112.3	35	PIN, DOWEL .250 X .75
BC347	36	NYLON INSERT
BC909	37	DRIVER BLADE
BC1014	38	NOSE,CORNER MII,T5 & T6 T-NAIL
BC1015	39	BLADE GUIDE
BC1016	40	WEAR PLATE
BC392	41	T-NAIL PUSHER
BC196	42	SPRING,EXTENSION
BC907A	43	ASSEMBLY,MAGAZINE BODY
UB2820	44	PIN, SPRING .094 X 1.25
BC41	45	DETENT SPRING
BC34	46	MAG.COVER LATCH SHOULDER PIN
BC89	47	COVER-S3 STAPLE
UA3816.4	49	SCREW,SHCS,10-24X1
UA4814.1	50	SCREW,1/4-20 X 7/8 SHCS
BC1341	53	ROCKER
BC1338	54	ROCKER PIVOT PIN.
BC1342	55	GUIDE
UA3808.15	56	SCREW,SHCS,8-36X1/2
BC1156	57	NOSE BRACKET SPRING
BC1345	58	FOOT,CONTACT
BC1008	60	SHIELD,NOSE
850916	61	WARNING LABEL
BC1332	62	SEAL, VALVE
121799	63	O-RING 1.287 X .210