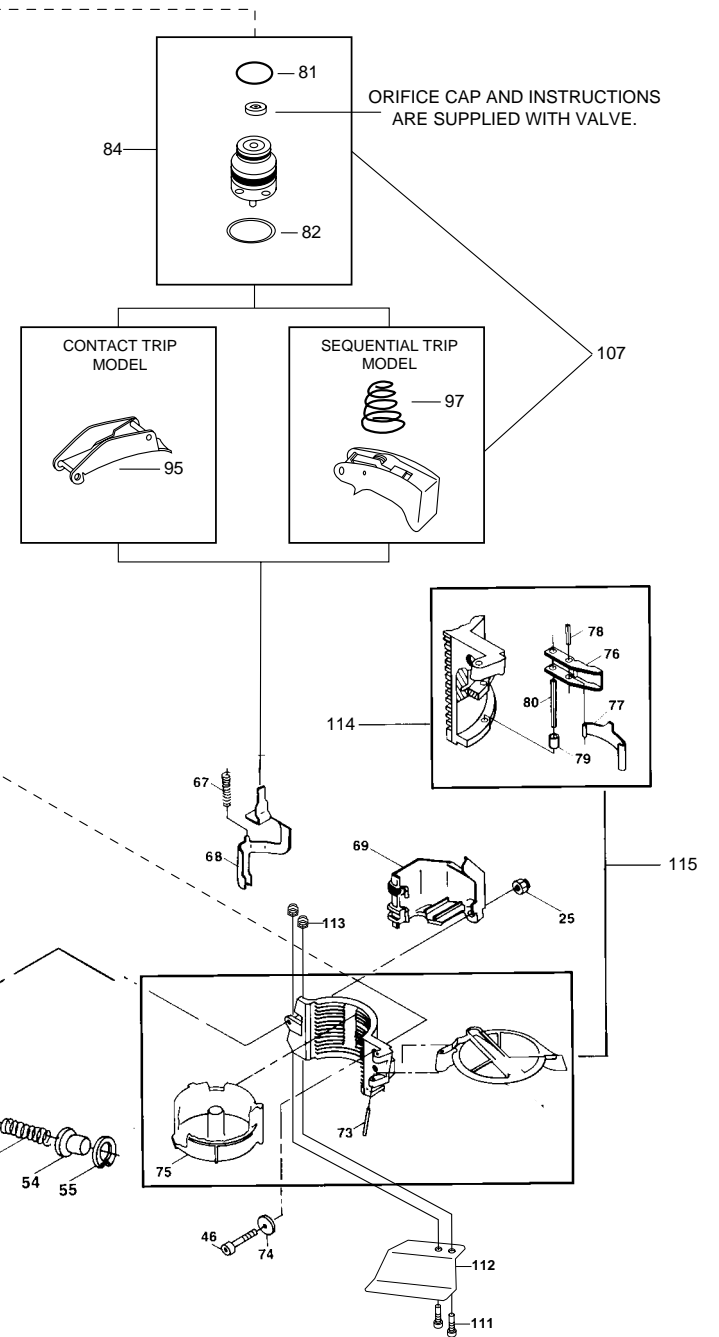
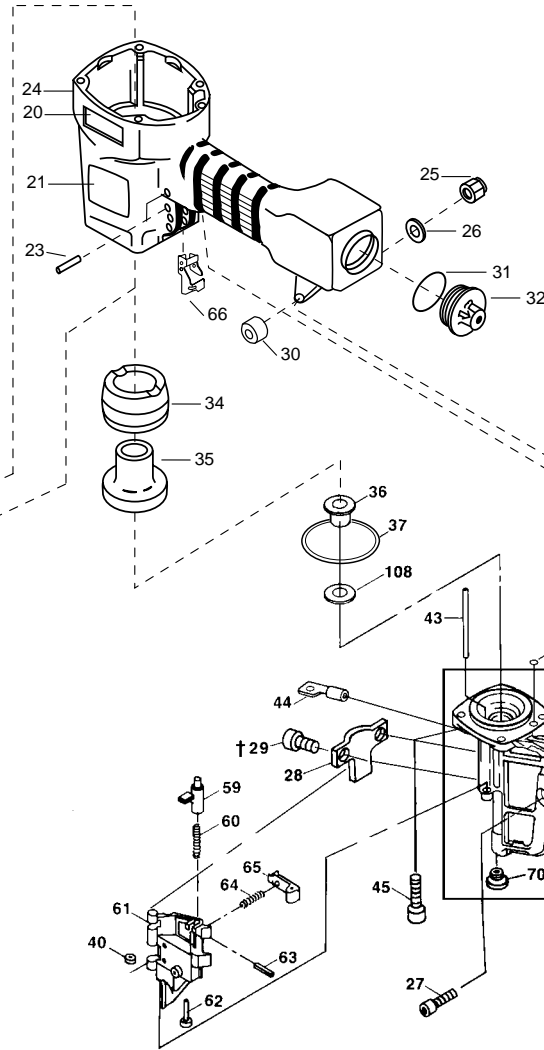


**N100C**  
**COIL-FED PNEUMATIC NAILER**  
**CLAVADORAS NEUMÁTICAS ALIMENTADAS POR ROLLO**  
**CLOUEURS PNEUMATIQUES À ENROULEMENT**



ORIFICE CAP AND INSTRUCTIONS  
 ARE SUPPLIED WITH VALVE.

IP1067-1REVG  
 TO BE REVISED WITH PARTS IP1067-2

†Assemble driver to main piston and screw to feed piston rod with Loctite #271, available as part 851325 Loctite 271 Packet.

††Assemble these threaded components with Loctite #242, available as part 851385.

## Spare Parts for N100C

Item#	Illus. #	Description
105592	1	CAP (SERVICE PART)
MSC6100-25	2	SCREW,SHCS,M6X1.00X25
MSS6100-6P	4	SCREW,CUPSSS,M6X1.00X6
N100131	5	SEAL, CYLINDER CAP
MRG004216	6	O-RING,.165X.063
N86132	6	PISTON STOP
854017	7	SPRING,COMPRESSION
MRG051531	9	O-RING,2.028X.122
105578	10	HEAD VALVE (SERVICE PART)
851538	11	O-RING,2.675X.116
N86125	12	HEAD VALVE SEAL
N100116	13	MAIN PISTON
851539	14	O-RING,2.039X.253
N100132A	15	REPLACEMENT DRIVER ASSY.
N90111	16	CYLINDER SLEEVE
RG273710	17	O-RING,2.737X.103
N100128	18	SEAL, CHECK
N100317	19	LOWER SLEEVE
851880S	20	LABEL,STANLEY BOSTITCH
851392	21	LABEL, WARNING
102549	23	PIN,SPECIAL SPIRAL
N90110	24	FRAME
MHE6100-100	25	NUT,ESN M6X1
MPW6.2	26	WASHER.SPECIAL
MSC6100-35	27	SCREW,SHCS,M6X1.00X35
N100113	28	CONTACT ARM RETAINER
MSC6100-12	29	SCREW,SHCS,M6X1.00X12
N70143	30	BUSHING - RUBBER
850235	31	O-RING,1.487X.103

T40207	32	END CAP
N100129	34	BUMPER, OUTER
N100130	35	BUMPER, INNER
N100103	36	DRIVER, GUIDE
106294	37	SEAL, NOSE
N100102	38	NOSE
N100112	39	FEED PAWL
854004	40	WASHER
N80120	41	SPRING, TORSION
N50087	42	PIN, SPECIAL (STEP)
N90106	43	DOOR HINGE PIN
N80121	44	ROD, FEED PISTON
MSC8125-30	45	SCREW, SHCS, M8X1.25X30
MSC6100-40	46	SCREW, SHCS, M6X1.00X40
MRG009824	47	O-RING, .386X.094
851384	48	O-RING, .987X.103
N80128	49	PISTON, FEED
LW14.2	50	WASHER, 1/4 HI COL LOCK
MSC6100-16	51	SCREW, SHCS, M6X1.00X16
N80123	52	BUMPER, FEED PISTON
N80122	53	SPRING, COMPRESSION
N80124	54	COVER, FEED PISTON
851383	55	RING, RETAINING METRIC
N70150	59	LATCH DOOR
854013	60	SPRING, COMPRESSION
N100101	61	DOOR
N90107	62	CHECK PAWL STUD
MPP030012	63	PIN, SPIROL
854011	64	COMPRESSION SPRING
N70149	65	PAWL CHECK
N70145	66	ARM GUIDE

N90103	67	SPRING,COMPRESSION
N100106	68	CONTACT ARM
N100114	69	CONTACT ARM GUARD
N100120	70	WEAR BUSHING
UB5130	73	PIN,SPIROL 1/4 X 1 7/8
MPW6.3	74	WASHER,PWN M6
N80103	75	BOTTOM,CANISTER
N80109	76	LATCH, CANISTER
N80108	77	SPRING,FLAT
UB2110.4	78	PIN, ROLL 1/8 X 5/8
N80106	79	SPACER, LATCH
UB2126	80	PIN, ROLL 1/8 X 1 5/8 LONG
86459	81	O-RING,.614X.070
MRG019824	82	O-RING,.780X.094
TVA6	84	KIT,TRIGGER VALVE
N100117A	87	ASSEMBLY,DRIVER/PISTON
N50082A	95	ASSEMBLY,TRIGGER
100387	97	SPRING, COMPRESSION
N100134A	98	COVER,EXHAUST
N100136	99	MUFFLER, EXHAUST
N100138	100	SPACER, MUFFLER
MSC8125-28	101	SCREW, SHCS M8X28MM METRIC
N100137	102	RING, BUMPER
SEQ1	107	KIT,SEQUENTIAL TRIP CONV.
N100126	108	URETHANE WASHER
851756	110	HANGER
MSC5080-16	111	SCREW,SHCS,M5X0.80X16
103031	112	GUARD,NAIL
MHE5080-100	113	NUT,NLN M5X.8
121632	114	ASSEMBLY,BRACKET
121635	115	ASSEMBLY,CANISTER