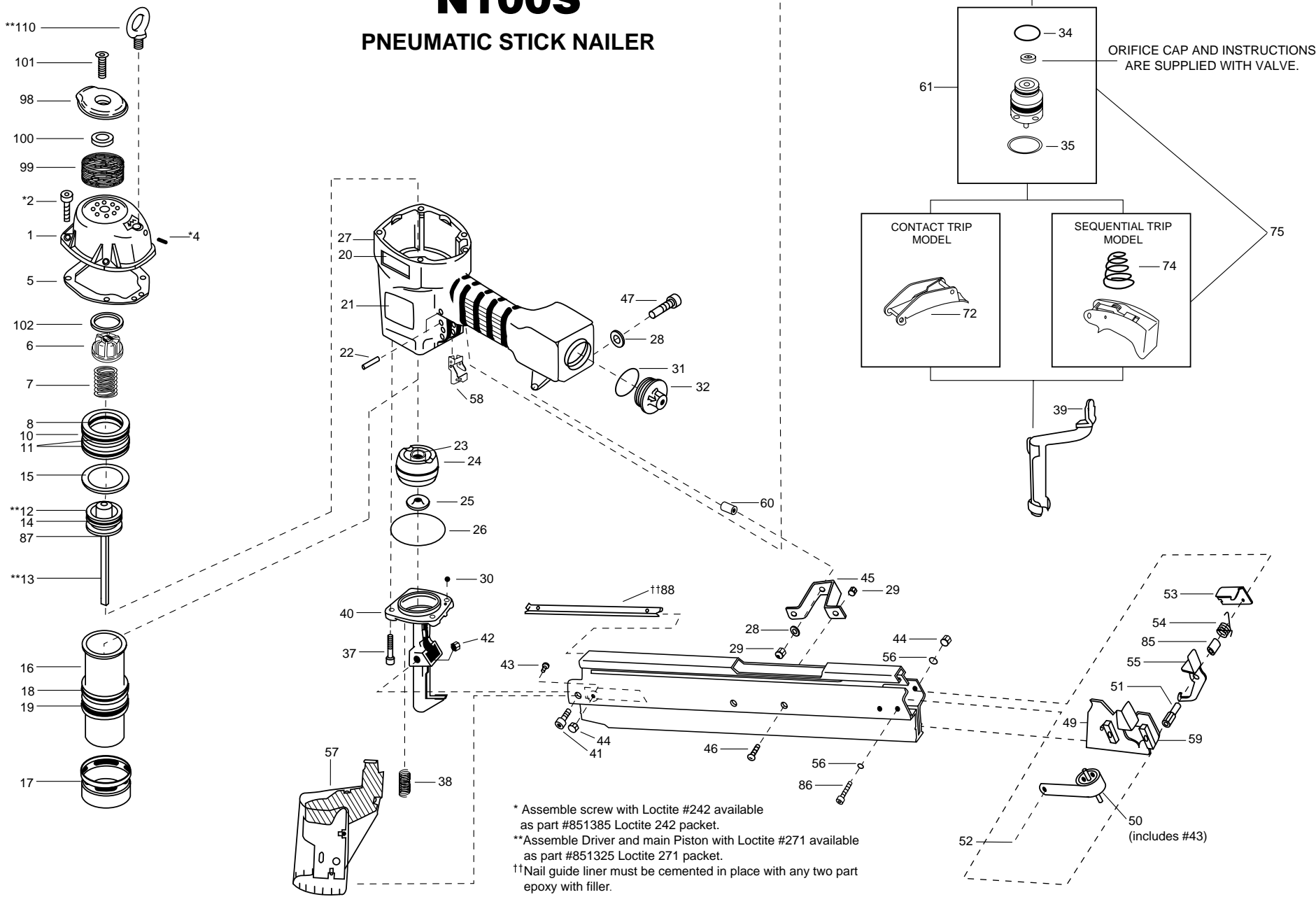


# N100S

## PNEUMATIC STICK NAILER



\* Assemble screw with Loctite #242 available as part #851385 Loctite 242 packet.  
 \*\*Assemble Driver and main Piston with Loctite #271 available as part #851325 Loctite 271 packet.  
 ††Nail guide liner must be cemented in place with any two part epoxy with filler.

## Spare Parts for N100S

Item#	Illus. #	Description
105592	1	CAP (SERVICE PART)
MSC6100-25	2	SCREW,SHCS,M6X1.00X25
MSS6100-6P	4	SCREW,CUPSSS,M6X1.00X6
N100131	5	SEAL, CYLINDER CAP
N86132	6	PISTON STOP
854017	7	SPRING,COMPRESSION
MRG051531	8	O-RING,2.028X.122
105578	10	HEAD VALVE (SERVICE PART)
851538	11	O-RING,2.675X.116
N100318	12	MAIN PISTON
N100301	13	DRIVER
851539	14	O-RING,2.039X.253
N86125	15	HEAD VALVE SEAL
N90111	16	CYLINDER SLEEVE
N100317	17	LOWER SLEEVE
RG273710	18	O-RING,2.737X.103
N100128	19	SEAL, CHECK
851880S	20	LABEL,STANLEY BOSTITCH
851392	21	LABEL, WARNING
102549	22	PIN,SPECIAL SPIRAL
N100130	23	BUMPER, INNER
N100129	24	BUMPER, OUTER
N80314A	25	DRIVER GUIDE ASSEMBLY
MRG070515	26	O-RING,2.795X.059
N90110	27	FRAME
MPW6.2	28	WASHER.SPECIAL
MHE6100-100	29	NUT,ESN M6X1
T29047	30	O-RING,.138X.059
850235	31	O-RING,1.487X.103

T40207	32	END CAP
MPP030016	33	PIN, SPIRAL, M3X16
86459	34	O-RING, .614X.070
MRG019824	35	O-RING, .780X.094
MSC8125-30	37	SCREW, SHCS, M8X1.25X30
N90103	38	SPRING, COMPRESSION
N100305A	39	TRIP ASSY. SERRATED
N100302A	40	NOSE ASSEMBLY
MSC8125-16	41	SCREW, SHCS, M8X1.25X16
N70120	42	NUT, TORQUE
MSB4070-10	43	SCREW, SBHCS, M4X0.70X10
MHE4070-100	44	NUT, ESN M4 X 0.7
N100310	45	BRACKET, MAG. MTG
MSB6100-12	46	SCREW, SBHCS, M6X1.00X12
MSC6100-35	47	SCREW, SHCS, M6X1.00X35
N100309A	48	MAGAZINE ASSEMBLY
N80322A	49	PUSHER ASSEMBLY
N16175A	50	PUSHER SPRING ASSEMBLY
N80340	51	SPACER MAGAZINE
103943	52	SPACER, SPRING
N80332	53	LATCH STOP
N80335	54	SPRING, TORSION
107451	55	PUSHER LATCH
LW8	56	WASHER, #8 LOCK
N100312A	57	DUST SHIELD ASSY.
N70145	58	ARM GUIDE
N80333	59	PUSHER BEARING KIT
N70143	60	BUSHING - RUBBER
TVA1	61	KIT, TRIGGER VALVE
N50082A	72	ASSEMBLY, TRIGGER
100387	74	SPRING, COMPRESSION

SEQ1	75	KIT,SEQUENTIAL TRIP CONV.
N80336	85	BUSHING,LATCH SPRING
MSC4070-45	86	SCREW, HSHCS M4 X 45
N100320	87	SPACER, DRIVER
N16177	88	LINER, NAIL GUIDE
851756	90	HANGER
N100134A	98	COVER,EXHAUST
N100136	99	MUFFLER, EXHAUST
N100138	100	SPACER, MUFFLER
MSC8125-28	101	SCREW, SHCS M8X28MM METRIC
N100137	102	RING, BUMPER