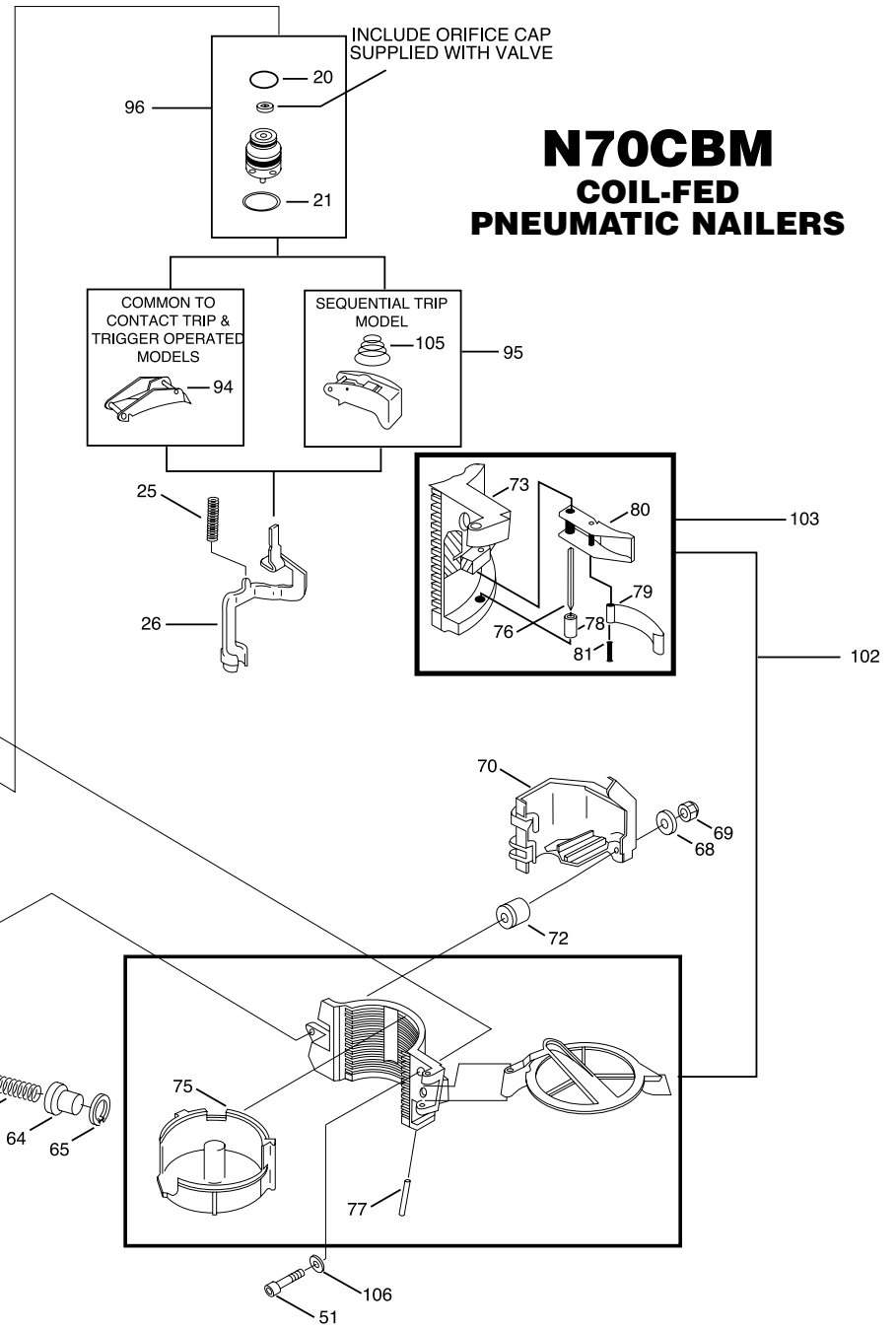
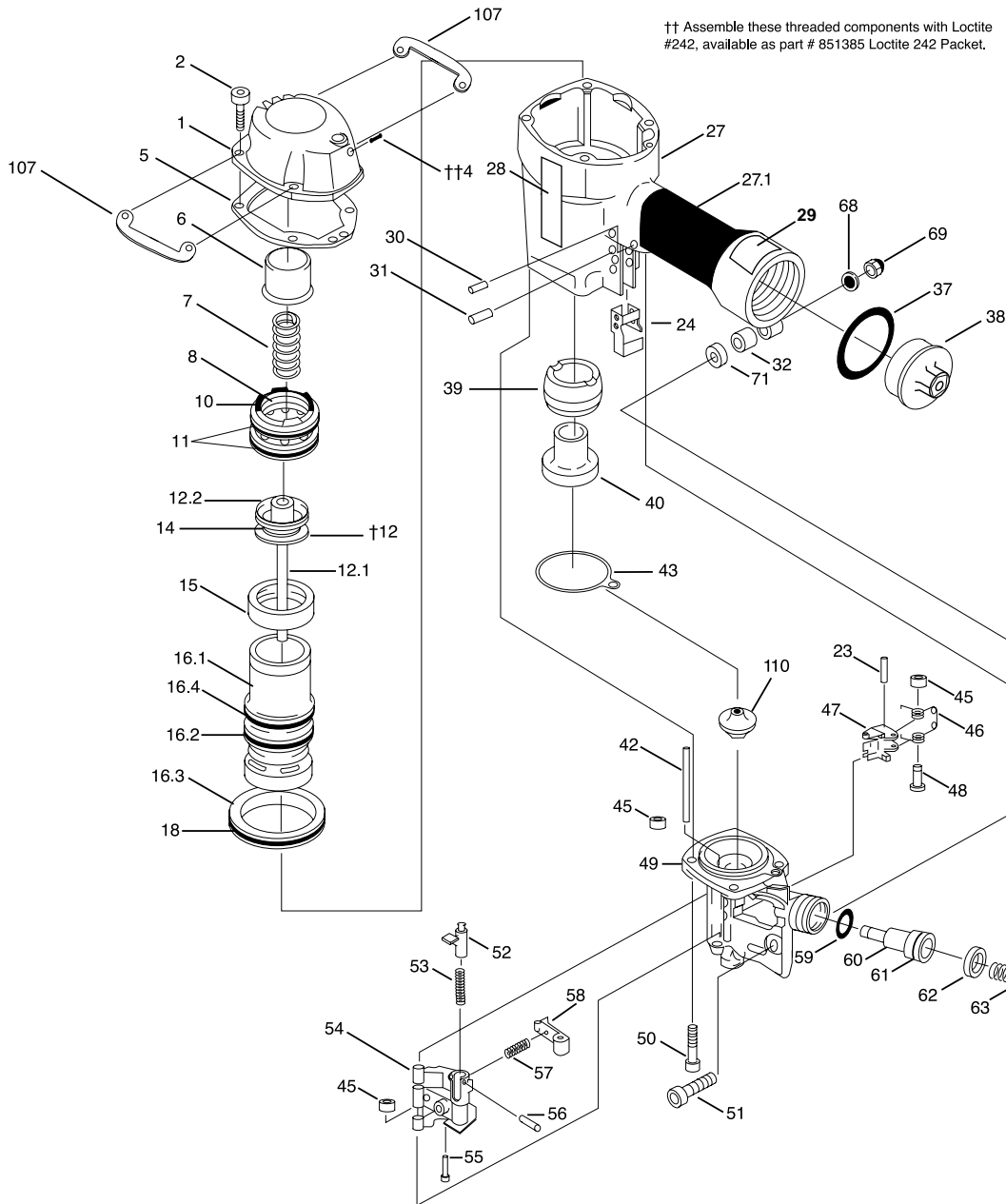


† Assemble driver to main piston with Loctite # 271, available as part # 851325 Loctite 271 Packet.

†† Assemble these threaded components with Loctite #242, available as part # 851385 Loctite 242 Packet.



N70CBM COIL-FED PNEUMATIC NAILERS

Spare Parts for N70CBM

Item#	Illus. #	Description
CN31652	1	CAP,CYLINDER
MSC6100-30	2	SCREW,SHCS,M6X1.00X30
MSS5080-5P	4	SCREW,CUPSSS,M5X0.80X5
N70118	5	SEAL, CYLINDER CAP
N70153	6	PISTON STOP
KK23195	7	SPRING,COMPRESSION
MRG041630	8	O-RING,1.638X.118
N80337	10	HEAD VALVE PISTON
HH19195	11	O RING,2.236X.118
102869	12	ASSEMBLY,DRIVER/PISTON
102870	12	ASSEMBLY,REPLACEMENT DRIVER
N70133	12	PISTON,MAIN
851439	14	O-RING,1.689X.190
N70155	15	CYLINDER SEAL
101236	16	O-RING,2.250X.115
N80168	16	RING,CYLINDER
N80169	16	SEAL,CHECK
N70171	16	SLEEVE,CYLINDER
MRG084431	18	O-RING,3.323X.122
86459	20	O-RING,.614X.070
851554	21	O-RING,.703X.103
MPP030016	23	PIN,SPIRAL,M3X16
N70145	24	ARM GUIDE
102080	25	SPRING,COMPRESSION
108683	26	ASSEMBLY,CONTACT ARM
110005	27	FRAME
107490	27	GRIP,HANDLE
112767	28	LABEL,BOSTITCH
851392	29	LABEL, WARNING

MPP030020	30	PIN,SPIROL M3X20MM
102549	31	PIN,SPECIAL SPIRAL
N70143	32	BUSHING - RUBBER
MRG049431	37	O-RING,2.343X.118
N70167	38	END CAP
N70156	39	BUMPER - A
N70157	40	BUMPER - B
N70164	42	PIN,SPECIAL
107834	43	SEAL,NOSE
854004	45	WASHER
854023	46	SPRING,TORSION
N70121	47	FEED PAWL
N50087	48	PIN,SPECIAL(STEP)
107870	49	MACHINING,NOSE
MSC8125-28	50	SCREW, SHCS M8X28MM METRIC
MSC6100-40	51	SCREW,SHCS,M6X1.00X40
N70150	52	LATCH DOOR
101408	53	SPRING,COMPRESSION
N70122	54	DOOR MACHINING
N70140	55	PIN,SPECIAL(STEP)
MPG030012	56	PIN, ROLL 3 X 12
854011	57	COMPRESSION SPRING
N70149	58	PAWL CHECK
MRG009824	59	O-RING,.386X.094
N70166	60	FEED PISTON
851437	61	O-RING,.819X.095
N70162	62	STOP, FEED PISTON
854039	63	COMPRESSION SPRING
N70163	64	SPRING COLLAR
MRB026	65	RETAINING RING, METRIC
MPW6.2	68	WASHER.SPECIAL

MHE6100-100	69	NUT,ESN M6X1
N70160	70	GUARD
N80107	71	SPACER, FRAME
105973	72	SPACER
N80103	75	BOTTOM,CANISTER
UB2126	76	PIN, ROLL 1/8 X 1 5/8 LONG
UB5130	77	PIN,SPIROL 1/4 X 1 7/8
N80106	78	SPACER, LATCH
N80108	79	SPRING,FLAT
107455	80	LATCH,CANISTER
UB2110.4	81	PIN, ROLL 1/8 X 5/8
N50082A	94	ASSEMBLY,TRIGGER
SEQ1	95	KIT,SEQUENTIAL TRIP CONV.
TVA6	96	KIT,TRIGGER VALVE
121635	102	ASSEMBLY,CANISTER
121632	103	ASSEMBLY,BRACKET
100387	105	SPRING, COMPRESSION
MPW6.3	106	WASHER,PWN M6
102473	107	PROTECTOR, TOP FRAME
N80130	110	DRIVER GUIDE