

N79PT
PNEUMATIC STICK NAILERS
CLAVADORA NEUMÁTICA ALIMENTADA POR BARRA
CLOUEUR PNEUMATIQUE EN BANDES

BOSTITCH®

N79PT
PNEUMATIC STICK NAILERS
CLAVADORA NEUMÁTICA ALIMENTADA POR BARRA
CLOUEUR PNEUMATIQUE EN BANDES



TOOL PARTS ILLUSTRATION
ILUSTRACIÓN DE LAS PIEZAS DE LA HERRAMIENTA
ILLUSTRATION DES PIÈCES D'OUTILLAGE

⚠WARNING:

⚠ADVERTENCIA:

⚠ATTENTION:

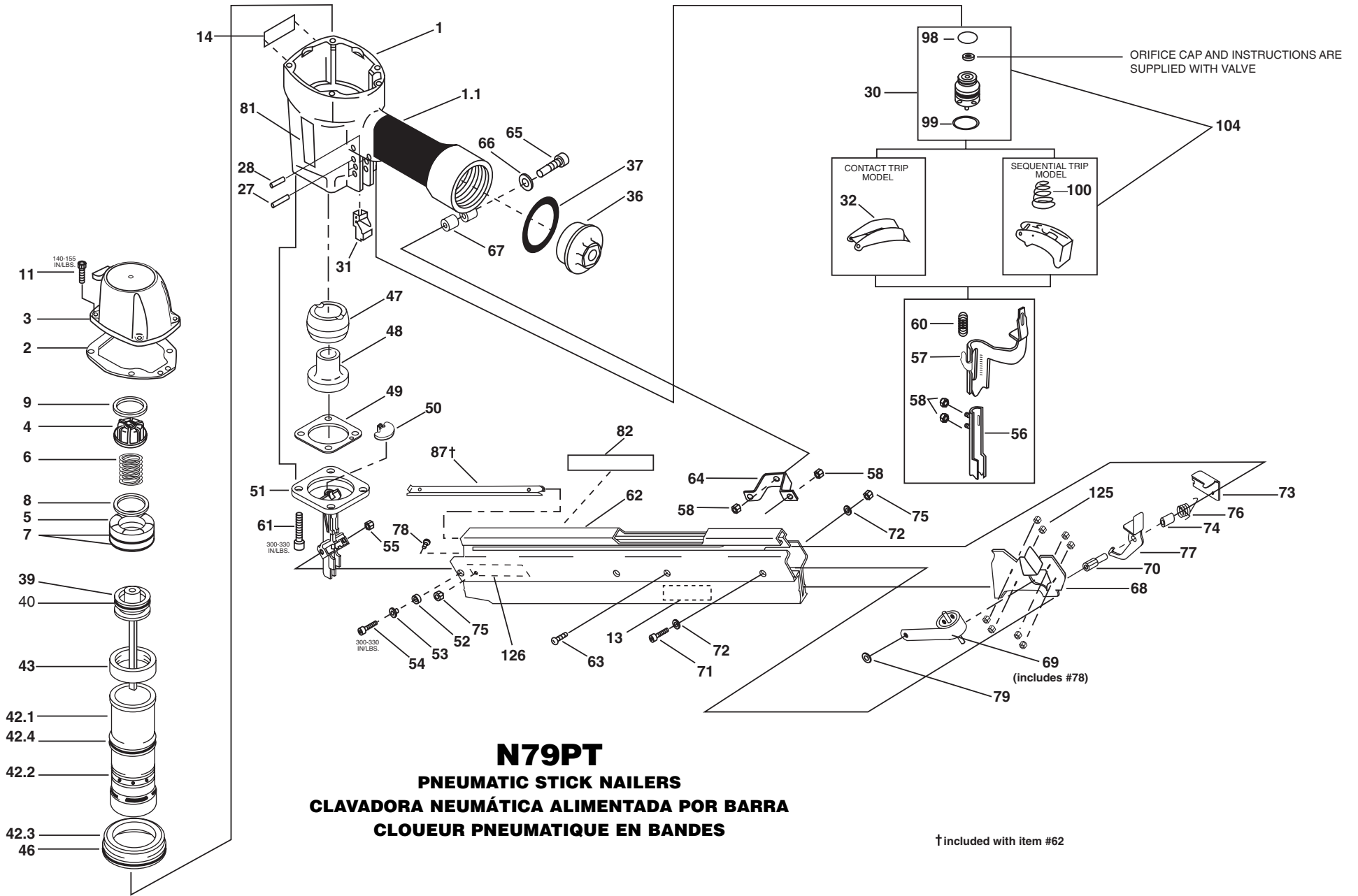
BEFORE PERFORMING REPAIRS ON THIS TOOL, ALL OPERATORS SHOULD STUDY THIS ILLUSTRATION, AS WELL AS THE PARTS LIST AND OPERATION AND MAINTENANCE MANUAL. OPERATORS SHOULD UNDERSTAND AND FOLLOW ALL SAFETY WARNINGS AND INSTRUCTIONS. KEEP THIS ILLUSTRATION WITH THE TOOL FOR FUTURE REFERENCE. IF YOU HAVE ANY QUESTIONS, CONTACT YOUR STANLEY-BOSTITCH REPRESENTATIVE OR DISTRIBUTOR.

ANTES DE LLEVAR A CABO CUALQUIER REPARACIÓN EN LA HERRAMIENTA, TODOS LOS OPERARIOS DEBERÁN ESTUDIAR ESTA ILUSTRACIÓN, ASÍ COMO LA LISTA DE PIEZAS Y EL MANUAL DE OPERACIÓN Y MANTENIMIENTO. LOS OPERARIOS DEBERÁN ENTENDER Y SEGUIR TODAS LAS ADVERTENCIAS E INSTRUCCIONES DE SEGURIDAD. CONSERVE ESTA ILUSTRACIÓN CON LA HERRAMIENTA PARA PODER CONSULTARLA EN LO FUTURO. SI TUVIERA ALGUNA PREGUNTA, PÓNGASE EN CONTACTO CON SU REPRESENTANTE O DISTRIBUIDOR DE STANLEY-BOSTITCH.

AVANT DE PROCÉDER À LA RÉPARATION DE CET OUTIL, LES OPÉRATEURS DOIVENT ÉTUDIER LA PRÉSENTE ILLUSTRATION AINSI QUE LA LISTE DE PIÈCES ET LE MANUEL D'INSTRUCTIONS ET D'ENTRETIEN ; ILS DOIVENT ÉGALEMENT COMPRENDRE ET OBSERVER LES CONSIGNES DE SÉCURITÉ ET LES INSTRUCTIONS. CONSERVER CETTE ILLUSTRATION AVEC L'OUTIL POUR RÉFÉRENCE FUTURE. SI VOUS AVEZ DES QUESTIONS, COMMUNIQUEZ AVEC VOTRE REPRÉSENTANT OU VOTRE DISTRIBUTEUR DE STANLEY-BOSTITCH.

IP1131-1REVC 2/06

BOSTITCH®
Stanley Fastening Systems L.P.



N79PT
PNEUMATIC STICK NAILERS
CLAVADORA NEUMÁTICA ALIMENTADA POR BARRA
CLOUEUR PNEUMATIQUE EN BANDES

Item#	Illus. #	Description
110005	<u>1</u>	FRAME
N70118	<u>2</u>	SEAL, CYLINDER CAP
110008	<u>3</u>	CYLINDER CAP ASSY
N70153	<u>4</u>	PISTON STOP
N80337	<u>5</u>	HEAD VALVE PISTON
101256	<u>6</u>	SPRING, COMPRESSION
101236	<u>7</u>	O-RING, 2.50X.445
MRG041630	<u>8</u>	O-RING, 1.638X.118
T55031	<u>9</u>	RING, BUMPER
MSC6100-25	<u>11</u>	SCREW, SHCS, M6X1.00X25
104981	<u>13</u>	LABEL, WARNING
112723	<u>14</u>	LABEL, N79 PAPER TAPE MODEL
102549	<u>27</u>	PIN, SPECIAL SPIROL M3XM25
MPP030020	<u>28</u>	PIN, SPIRAL M3X20MM
TVA11	<u>30</u>	KIT, TRIGGER VALVE
102794	<u>31</u>	GUIDE, TRIP
CNTK2	<u>32</u>	KIT, CONTACT TRIP CONVERSION
N70167	<u>36</u>	CAP, END
MRG049431	<u>37</u>	O-RING, 2.343X.118
N80367A	<u>39</u>	ASSEMBLY, DRIVER/PISTON
851439	<u>40</u>	O-RING, 1.689X.190
N70155	<u>43</u>	SEAL, CYLINDER
MRG084431	<u>46</u>	O-RING, 3.323X.122
N70156	<u>47</u>	BUMPER - A
N70157	<u>48</u>	BUMPER - B
N80354	<u>49</u>	GASKET, NOSE
105022	<u>50</u>	LOCATOR PLATE
100851	<u>51</u>	NOSE
N80356	<u>52</u>	SHOCK RING
N80357	<u>53</u>	SPACER
MSC8125-16	<u>54</u>	SCREW, SHCS M8X16
N70120	<u>55</u>	NUT, TORQUE
108576	<u>56</u>	LOWER C.T. ASSEM. COMBINATION
102793	<u>57</u>	TRIP, UPPER
MHE6100-100	<u>58</u>	NUT, ESN M6X1
N80132	<u>60</u>	SPRING, CONTACT ARM
MSC8125-28	<u>61</u>	SCREW, SHCS M8X28
165482	<u>62</u>	ASSEMBLY, MAGAZINE
MSB6100-12	<u>63</u>	SCREW, SBHCS, M6X1.00X12
100855	<u>64</u>	BRACKET, MOUNTING
MSC6100-30	<u>65</u>	SCREW, SHCS, M6X1.00X30
MPW6.2	<u>66</u>	WASHER, SPECIAL
N70143	<u>67</u>	BUSHING, RUBBER
105411	<u>68</u>	KIT, PUSHER ASSEMBLY
N16175A	<u>69</u>	PUSHER SPRING ASSEMBLY
N80340	<u>70</u>	SPACER MAGAZINE
MSC4070-45	<u>71</u>	SCREW, SHCS, M4X0.70X45
LW8	<u>72</u>	WASHER, #8 LOCK
N80332	<u>73</u>	LATCH STOP

N80336	<u>74</u>	BUSHING,LATCH SPRING
MHE4070-100	<u>75</u>	ELASTIC STOP NUT,M4
N80335	<u>76</u>	SPRING,TORSION
107451	<u>77</u>	LATCH,PUSHER
MSB4070-10	<u>78</u>	SCREW,SBHCS,M4X0.70X10
103943	<u>79</u>	SPACER,SPRING
112767	<u>81</u>	LABEL,BOSTITCH
159911	<u>82</u>	LABEL,WARNING,CT/ST
86459	<u>83</u>	O-RING,.614X.070
MRG019824	<u>84</u>	O-RING,.780X.094
107490	<u>1.1</u>	GRIP,HANDLE
100387	<u>100</u>	SPRING,COMPRESSION
851756	<u>101</u>	HANGER
SEQ5	<u>104</u>	KIT,SEQUENTIAL
MPW6.3	<u>105</u>	WASHER,PWN M6
105082	<u>125</u>	ROLLER
N80170	<u>42.1</u>	SLEEVE,CYLINDER
N80169	<u>42.2</u>	SEAL,CHECK
N80168	<u>42.3</u>	RING,CYLINDER
101236	<u>42.4</u>	O-RING,2.50X.445