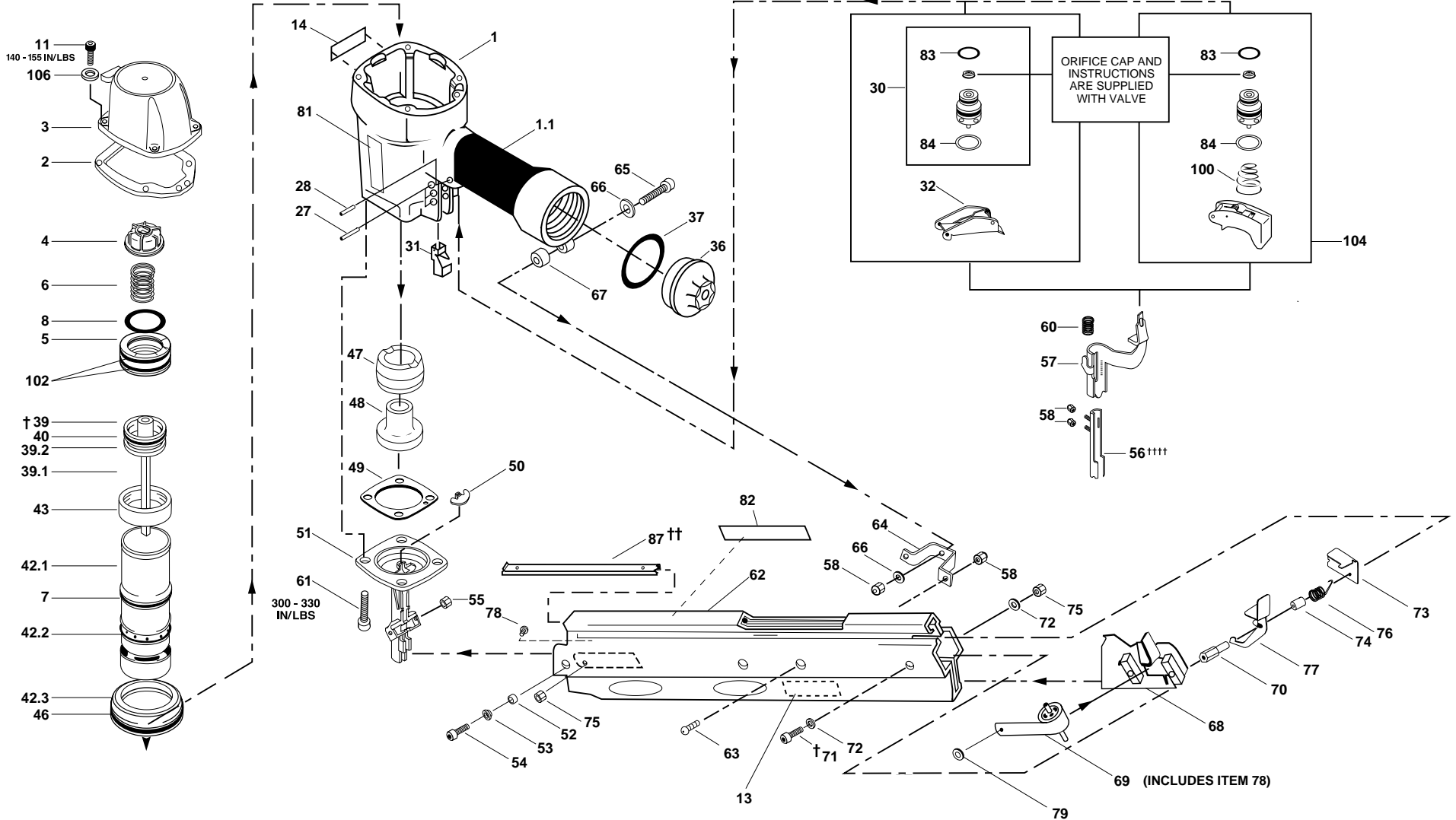


CONTACT TRIP MODEL SEQUENTIAL TRIP MODEL



ADHESIVES USED:
 † Locite 271 - available as part #851325
 †† 2-part epoxy - available locally
 ††† Locite 242 - available as part #851385
 †††† See available accessories in
 Operation and Maintenance Manual

**N79WW
 PNEUMATIC STICK NAILER**

Spare Parts for N79WW

Item#	Illus. #	Description
107490	1	GRIP,HANDLE
110005	1	FRAME
N70118	2	SEAL, CYLINDER CAP
110008	3	CYLINDER CAP ASSY
N70153	4	PISTON STOP
N80337	5	HEAD VALVE PISTON
101256	6	SPRING,COMPRESSION
101236	7	O-RING,2.250X.115
MRG041630	8	O-RING,1.638X.118
MSC6100-25	11	SCREW,SHCS,M6X1.00X25
112720	13	LABEL,N79 CLIP HEAD FAST.
112719	14	LABEL,N79 CLIPPED HEAD MODEL
102549	27	PIN,SPECIAL SPIRAL
MPP030020	28	PIN,SPIROL M3X20MM
TVA1	30	KIT,TRIGGER VALVE
N70145	31	ARM GUIDE
N50082A	32	ASSEMBLY,TRIGGER
N70167	36	END CAP
MRG049431	37	O-RING,2.343X.118
100338	39	REPLACEMENT DRIVER ASSEM.
N70133	39	PISTON,MAIN
N80367A	39	PISTON DRIVER ASSY.
851439	40	O-RING,1.689X.190
N80168	42	RING,CYLINDER
N80169	42	SEAL,CHECK
N80170	42	SLEEVE,CYLINDER
N70155	43	CYLINDER SEAL
MRG084431	46	O-RING,3.323X.122
N70156	47	BUMPER - A

N70157	48	BUMPER - B
N80354	49	GASKET, NOSE
105022	50	LOCATOR PLATE
N80348	51	NOSE
N80356	52	SHOCK RING
N80357	53	SPACER
MSC8125-16	54	SCREW,SHCS,M8X1.25X16
N70120	55	NUT, TORQUE
108576	56	LOWER C.T.ASSEM.COMBINATION
N80349	57	UPPER C.T.
MHE6100-100	58	NUT,ESN M6X1
N80132	60	C.T. SPRING - N80
MSC8125-28	61	SCREW, SHCS M8X28MM METRIC
N80365A	62	ASSEMBLY,MAGAZINE - BLACK
MSB6100-12	63	SCREW,SBHCS,M6X1.00X12
N80321	64	BRACKET,MOUNTING
MSC6100-30	65	SCREW,SHCS,M6X1.00X30
MPW6.2	66	WASHER.SPECIAL
N70143	67	BUSHING - RUBBER
N80322A	68	PUSHER ASSEMBLY
N16175A	69	PUSHER SPRING ASSEMBLY
N80340	70	SPACER MAGAZINE
MSC4070-45	71	SCREW, HSHCS M4 X 45
LW8	72	WASHER,#8 LOCK
N80332	73	LATCH STOP
N80336	74	BUSHING,LATCH SPRING
MHE4070-100	75	NUT, ESN M4 X 0.7
N80335	76	SPRING,TORSION
107451	77	PUSHER LATCH
MSB4070-10	78	SCREW,SBHCS,M4X0.70X10
103943	79	SPACER,SPRING

112767	81	LABEL,BOSTITCH
100151	82	LABEL, WARNING CT/ST
86459	83	O-RING,.614X.070
MRG019824	84	O-RING,.780X.094
N16177	87	LINER, NAIL GUIDE
100387	100	SPRING, COMPRESSION
851438	102	O-RING,2.236X.115
SEQ1	104	KIT,SEQUENTIAL TRIP CONV.
MPW6.3	106	WASHER,PWN M6