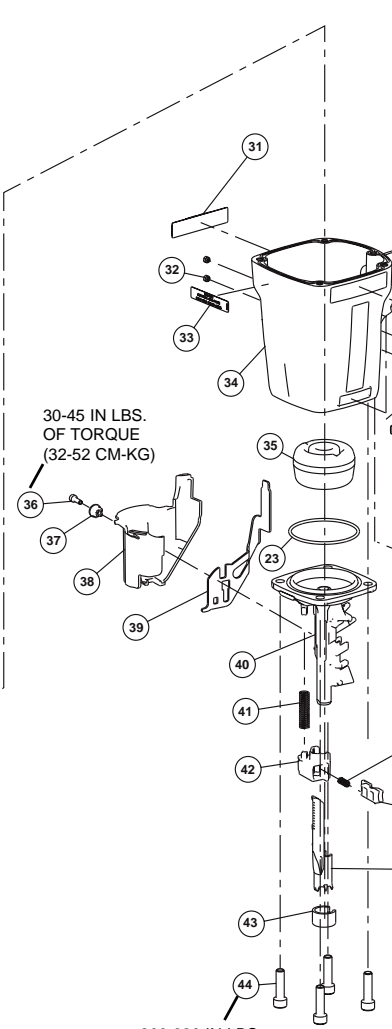
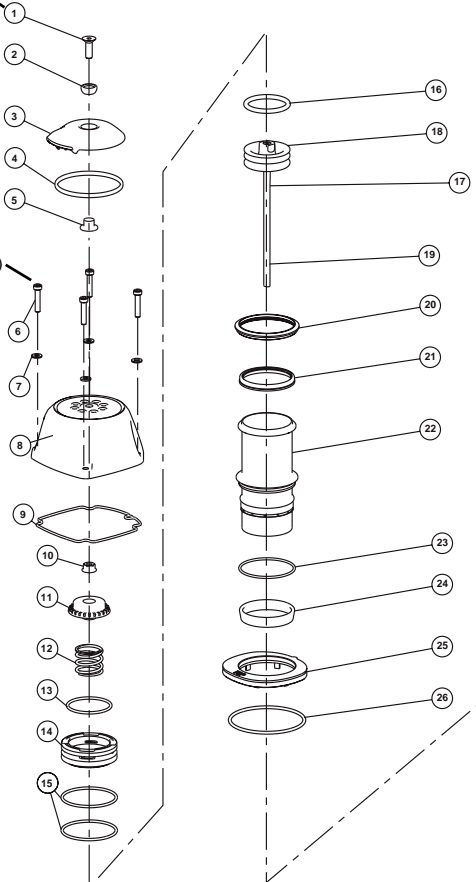


125-140 IN LBS.
OF TORQUE
(144-161 CM-KG)

125-140 IN LBS.
OF TORQUE
(144-161 CM-KG)



30-45 IN LBS.
OF TORQUE
(32-52 CM-KG)

300-330 IN LBS.
OF TORQUE
(346-380 CM-KG)

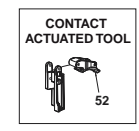
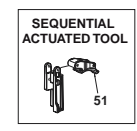
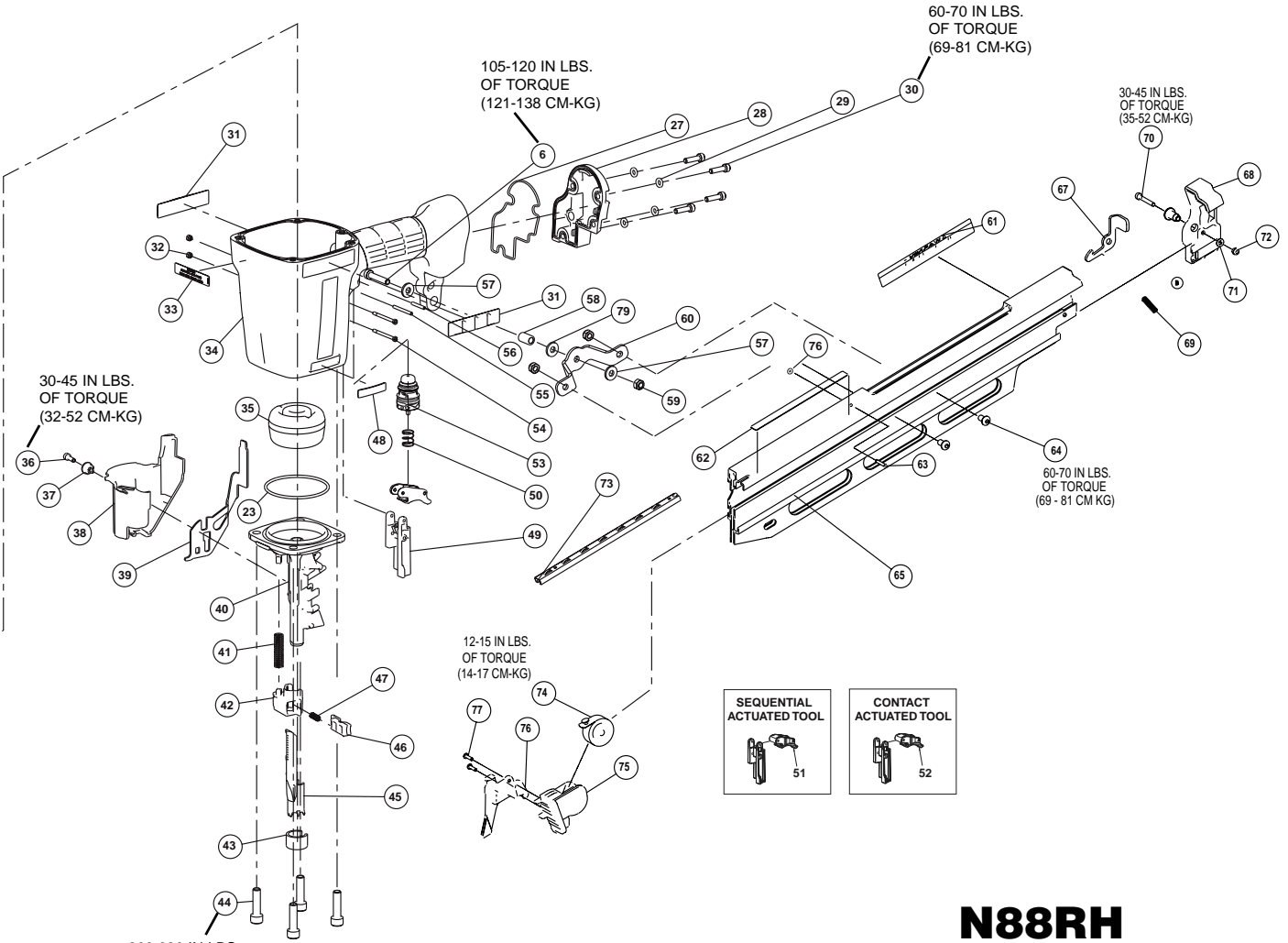
105-120 IN LBS.
OF TORQUE
(121-138 CM-KG)

12-15 IN LBS.
OF TORQUE
(14-17 CM-KG)

60-70 IN LBS.
OF TORQUE
(69-81 CM-KG)

30-45 IN LBS.
OF TORQUE
(35-52 CM-KG)

60-70 IN LBS.
OF TORQUE
(69 - 81 CM KG)



N88RH

PNEUMATIC STICK NAILER

IP1136-1 REVC 4/01
TO BE USED WITH IP1136-2 AND 115422 OPERATION AND MAINTENANCE MANUAL

SEE REVERSE SIDE FOR AVAILABLE
ACCESSORIES (NOT INCLUDED)

Spare Parts for N88RH

Item#	Illus. #	Description
MSF8125-25	1	SCREW, SFHCS M8 X 1.25X25
108555	2	MOUNT,SHOCK
112633	3	COVER,EXHAUST
116961	4	SEAL,COVER EXHAUST
108418	5	SPACER,COVER EXHAUST
MSC6100-30	6	SCREW,SHCS,M6X1.00X30
MPW6.3	7	WASHER,PWN M6
108559	8	CAP,MACHINING
108416	9	SEAL,FRAME
103859	10	NUT,HFN,M8X1.25
107236	11	BUMPER,PISTON STOP
107235	12	SPRING,COMPRESSION
112635	13	O-RING 1.988X.118
107234	14	HEAD VALVE
107658	15	O-RING 2.512X.118
851606	16	O-RING,1.850X.210
116769	17	ASSEMBLY,PISTON/DRIVER
107232	18	PISTON,MAIN
116745	19	DRIVER
107142	20	RETAINER,CYLINDER SLEEVE
107141	21	SEAL,CYLINDER SLEEVE
107138	22	SLEEVE,CYLINDER
89673	23	O-RING,2.550X.103
107269	24	SEAL,CHECK
108563	25	RING,CYLINDER SLEEVE
108718	26	O-RING 3.484X.139
108560	27	SEAL,END CAP
108722	28	CAP,END
T50118	29	WASHER,PWW M5

MSC5080-20	30	SCREW,SOC HD. CAP M5 X 20
112733	31	PROTECTOR,FRAME
MHE3050-100	32	NUT,ESN,M3X0.5
120879	33	LABEL,N88RH
108724	34	FRAME,OVERMOLD
107231	35	BUMPER,DRIVE
MSC4070-12	36	SCREW,SHCS,M4X0.70X12
112632	37	BUSHING,TRIP COVER
116969	38	COVER,TRIP
115261	40	NOSE,N88RH
116970	41	SPRING,CONTACT ARM
108224	42	CASTING,HOUSING CONTACT
115262	43	FOOT,TRIP
MSC8125-30	44	SCREW,SHCS,M8X1.25X30
108227	45	ARM,LOWER CONTACT
108225	46	CASTING,PLUNGER
115230	47	SPRING,HOUSING
116964	48	LABEL,MAGNESIUM
112629	49	GUIDE,ARM
100387	50	SPRING, COMPRESSION
107581	51	ASSEMBLY,C.T.TRIGGER
107582	52	ASSEMBLY,S.T.TRIGGER
107584	53	ASSEMBLY,TRIGGER VALVE
108562	54	SCREW,TRIGGER PIVOT
100298	55	PIN,SPRING,M3X30MM
MPP030020	56	PIN,SPIROL M3X20MM
MPW6.2	57	WASHER.SPECIAL
N70143	58	BUSHING - RUBBER
MHE6100-100	59	NUT,ESN M6X1
116968	60	BRACKET,FRAME
106147	61	LABEL,WARNING C/T

120880	62	LABEL,N88RH FASTENER SPEC.
121407	63	PIN,SPECIAL
MSB6100-12	64	SCREW,SBHCS,M6X1.00X12
116536	65	MAGAZINE
121472	66	SPACER,PUSHER LATCH
120875	67	LATCH,PUSHER
116563	68	CAP END,MAGAZINE
120878	69	SPRING, PUSHER LATCH
100261	70	SCREW,SHCS,M4X0.7X30
MPW4	71	WASHER,PWN,M4
MHE4070-100	72	NUT, ESN M4 X 0.7
116976	73	LINER,NAIL GUIDE
115143	74	SPRING,CONSTANT FORCE
120945	75	HANDLE,PUSHER
120876	76	PUSHER
100209	77	SCREW,STRHS,M3X0.5X12
89013	78	O-RING,.056X.060
121512	79	WASHER,SPECIAL
112630	80	SHIELD,DUST
112631	81	SPRING,CLIP
104981	82	LABEL, CT/ST