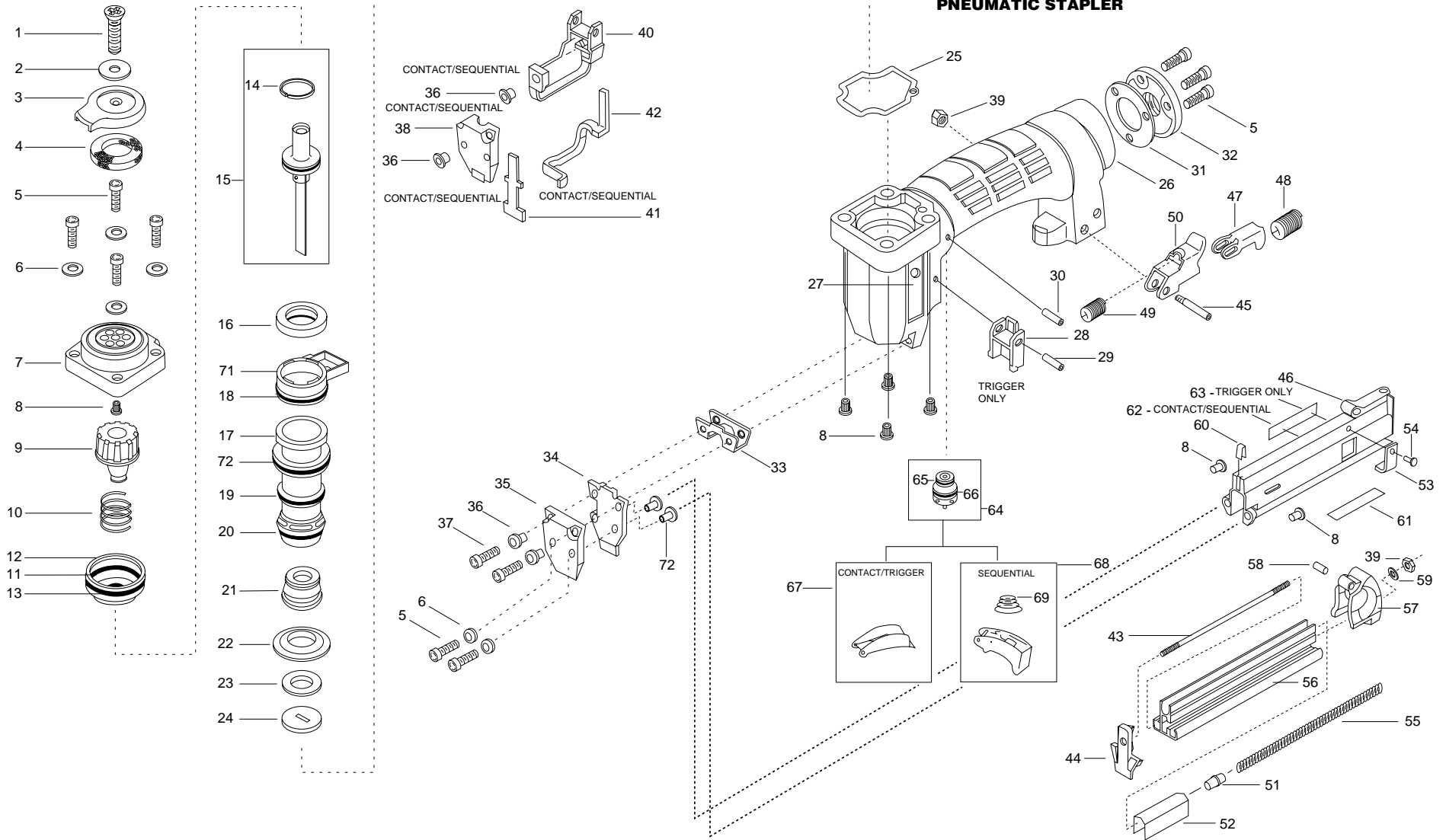


PC5000 PNEUMATIC STAPLER



IP1029-1REV B
USE WITH PARTS LIST IP1029-2

Spare Parts for PC5000

Item#	Illus. #	Description
100297	1	SCREW,CRFCHS,M4X0.7X25
S32030	2	WASHER, SPECIAL
S32032	3	COVER, EXHAUST
S32045	4	MUFFLER
100260	5	SCREW,SHCS,M4X0.7X20
S32186	6	WASHER, SPECIAL
T32010	7	CAP,FRAME
S32011	8	INSERT,M4
T32007	9	BUMPER, PISTON STOP
T32028	10	SPRING,HEAD VALVE
MRG026020	11	O-RING,26MMX2MM
T32014	12	HEAD VALVE
MRG035020	13	O-RING,1.378X.079
S32109	14	RING,PISTON
102070	15	ASSEMBLY,DRIVER/PISTON
T32031	16	SEAL,CYLINDER SLEEVE
S32208	17	SLEEVE,CYLINDER
RG161210	18	O-RING,1.612X.103
T32080	19	SEAL, CHECK
100353	20	O-RING,1.301X.070
102882	21	BUMPER
S32187	22	PLATE, FRAME
S32001	23	WASHER,SPECIAL
101082	24	GUIDE,DRIVER
T32046	25	GASKET,FRAME/CAP
T32008A	26	FRAME
113218	27	LABEL,BOSTITCH
106173	28	STOP,TRIGGER
100298	29	PIN,SPRING,M3X30MM

102549	30	PIN,SPECIAL SPIRAL
S32141	31	GASKET, END CAP
S32140	32	CAP,END
S32017A	33	ASSEMBLY, NUT PLATE
102472	34	ASSEMBLY,NOSE
101085	35	COVER,NOSE
S32184	36	SPACER
100258	37	SCREW,SHCS,M4X0.7X35
101074	38	GUARD,TRIP
MHE4070-100	39	NUT, ESN M4 X 0.7
102073	40	ASSEMBLY,TRIP GUIDE
101073	41	TRIP,LOWER
S32127	42	ARM,UPPER CONTACT
101081	43	ROD,CORE THD.
101070	44	TIP,CORE
S32066	45	PIN,SPECIAL
101066	46	MAGAZINE
S32009	47	LATCH MAGAZINE
T27160	48	SPRING,COMPRESSION
S32024	49	SPRING,COMPRESSION
S32025	50	LATCH, MAGAZINE
101080	51	GUIDE,SPRING
101061	52	PUSHER
101068	53	STOP CORE
100209	54	SCREW,STRHS,M3X0.5X12
101069	55	SPRING,PUSHER
101083	56	CORE,MAGAZINE
101072	57	END,CORE
S32176	58	PIN,SPECIAL
MPW4	59	WASHER,PWN,M4
101060	60	SPRING,DRIVER

101245	61	LABEL,PC5000 MAG. CAPACITY
100151	62	LABEL, WARNING CT/ST
100152	63	LABEL,WARNING T.O.
TVA5	64	KIT,S32/BT TRIGGER VLV
86459	65	O-RING,.614X.070
851554	66	O-RING,.703X.103
N50082A	67	ASSEMBLY,TRIGGER
SEQ2	68	KIT,SEQ TRIP CONV.
100387	69	SPRING, COMPRESSION
100817	70	O-RING,1.299X.103
101182	71	RING,CYLINDER SLEEVE
102471	72	BUSHING,NOSE