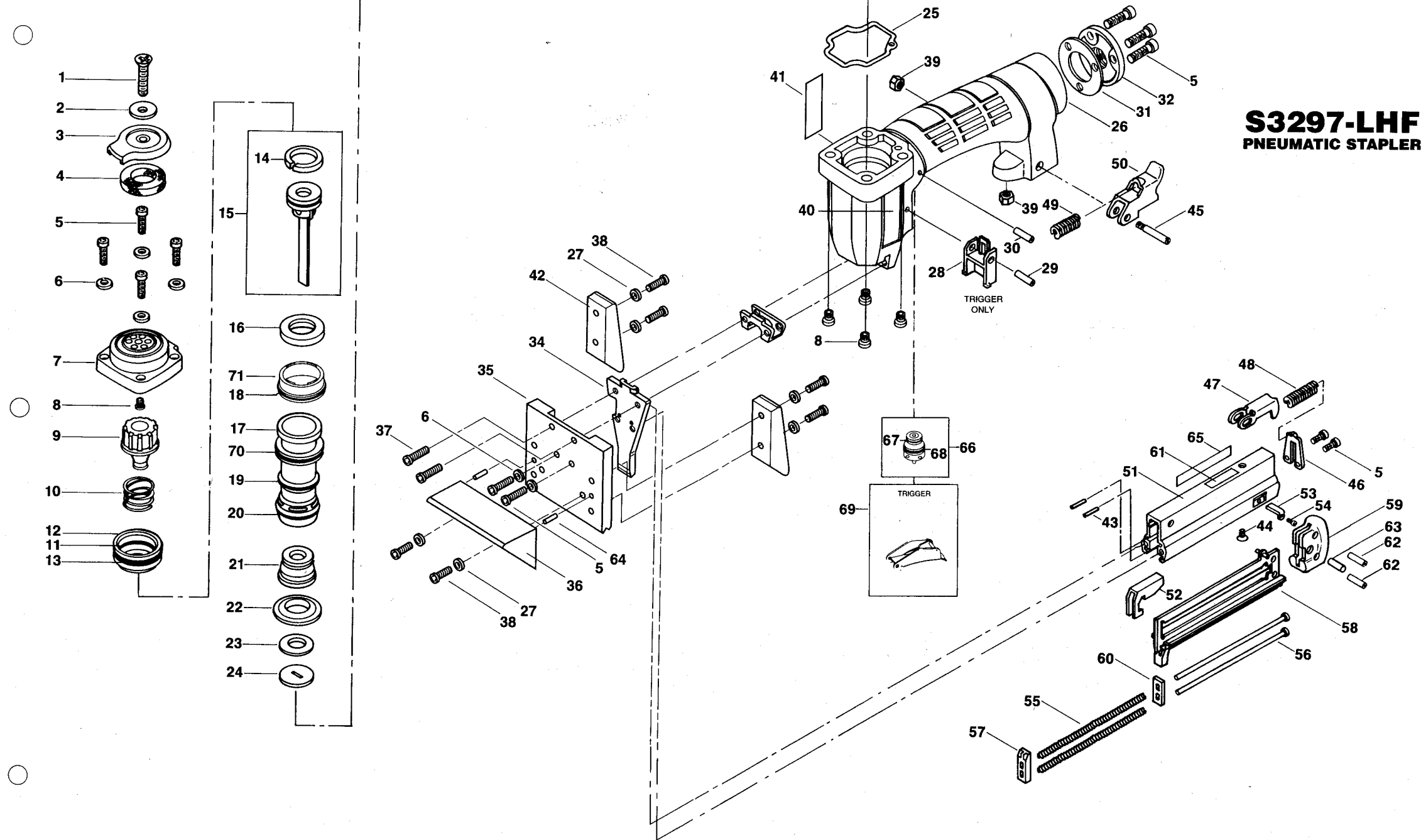


# S3297-LHF

## PNEUMATIC STAPLER



IP1073-1REVA 10/95  
 USE WITH PARTS LIST IP1073-2

Item#	Illus. #	Description
IP1073-1REVA	<u>0</u>	S3297-LHF TOOL PARTS ILLUSTRAT
100297	<u>1</u>	SCREW,CRFCHS,M4X0.7X25
S32030	<u>2</u>	WASHER, SPECIAL
S32032	<u>3</u>	COVER,EXHAUST
S32045	<u>4</u>	MUFFLER
100260	<u>5</u>	SCREW, SOC. HD. CAP M4 X 20
S32186	<u>6</u>	WASHER, SPECIAL
T32010	<u>7</u>	CAP
S32011	<u>8</u>	INSERT,M4
T32007	<u>9</u>	BUMPER, PISTON STOP
T32028	<u>10</u>	SPRING,HEAD VALVE
MRG026020	<u>11</u>	O-RING,1.024X.078
T32014	<u>12</u>	HEAD VALVE
MRG035020	<u>13</u>	O-RING,1.378X.079
S32109	<u>14</u>	RING,PISTON
S32085A	<u>15</u>	ASSEMBLY,DRIVER/PISTON
T32031	<u>16</u>	SEAL,CYLINDER SLEEVE
S32208	<u>17</u>	SLEEVE,CYLINDER
RG161210	<u>18</u>	O-RING,1.612X.103 NBR
T32080	<u>19</u>	CHECK SEAL
100353	<u>20</u>	O-RING,1.301X.070
105228	<u>21</u>	BUMPER
S32187	<u>22</u>	PLATE, FRAME
S32001	<u>23</u>	WASHER
S32089	<u>24</u>	GUIDE,DRIVER
T32046	<u>25</u>	GASKET,FRAME/CAP
T32008A	<u>26</u>	FRAME
PW8	<u>27</u>	WASHER,PWR,.188
S32144	<u>28</u>	STOP, TRIGGER
100298	<u>29</u>	PIN,SPIRAL M3X30
MPP030025	<u>30</u>	PIN,SPIROL,M3X25
S32141	<u>31</u>	GASKET, END CAP
S32140	<u>32</u>	CAP,END
S32017A	<u>33</u>	ASSEMBLY, NUT PLATE
103420	<u>34</u>	NOSE
102517	<u>35</u>	PLATE,NOSE
102075	<u>36</u>	GUIDE,FRONT
100261	<u>37</u>	SCREW,SHCS,M4X30
MSC4070-16	<u>38</u>	SCREW,SHCS,M4X0.7X16
MHE4070-100	<u>39</u>	ELASTIC STOP NUT,M4
103444	<u>40</u>	LABEL,S3297-LHF,LEFT
103475	<u>41</u>	LABEL,S3297-LHF,RIGHT
101755	<u>42</u>	FOOT
FF21256	<u>43</u>	PIN,ROLL,M2X10MM
100364	<u>44</u>	SCREW,SFHCS,M4X0.7X14
S32066	<u>45</u>	PIN,SPECIAL
S32072	<u>46</u>	PLATE,SPRING
S32009	<u>47</u>	LATCH MAGAZINE
T27160	<u>48</u>	SPRING,COMPRESSION
S32024	<u>49</u>	SPRING,COMPRESSION

S32025	<u>50</u>	HANDLE,LATCH
103415	<u>51</u>	MAGAZINE
S32097	<u>52</u>	PUSHER
S32177	<u>53</u>	STOP,CORE
MSC4070-8	<u>54</u>	SCREW,SHCS,M4X0.70X8
S32065	<u>55</u>	SPRING,PUSHER
S32061A	<u>56</u>	ASSEMBLY,SPRING ROD
S32101	<u>57</u>	SUPPORT,ROD
103419	<u>58</u>	ASSEMBLY,CORE SLIDE
S32063	<u>59</u>	END,CORE
S32178	<u>60</u>	WASHER,PUSHER SPRING
103443	<u>61</u>	LABEL,S3297-LHF MAG CAP
100263	<u>62</u>	PIN,SPIROL,M4X14MM
100264	<u>63</u>	PIN,SPIROL,.1875X.500
MPP030016	<u>64</u>	PIN,SPIRAL,M3X16
100152	<u>65</u>	LABEL,WARNING T.O.
TVA5	<u>66</u>	KIT,S32/BT TRIGGER VLV
86459	<u>67</u>	O-RING,.614X.070
851554	<u>68</u>	O-RING,.703X.103
N50082A	<u>69</u>	ASSEMBLY,TRIGGER
100817	<u>70</u>	O-RING,1.299X.103
101182	<u>71</u>	RING,CYLINDER SLEEVE
102341	<u>72</u>	BLOCK,INSTALLATION