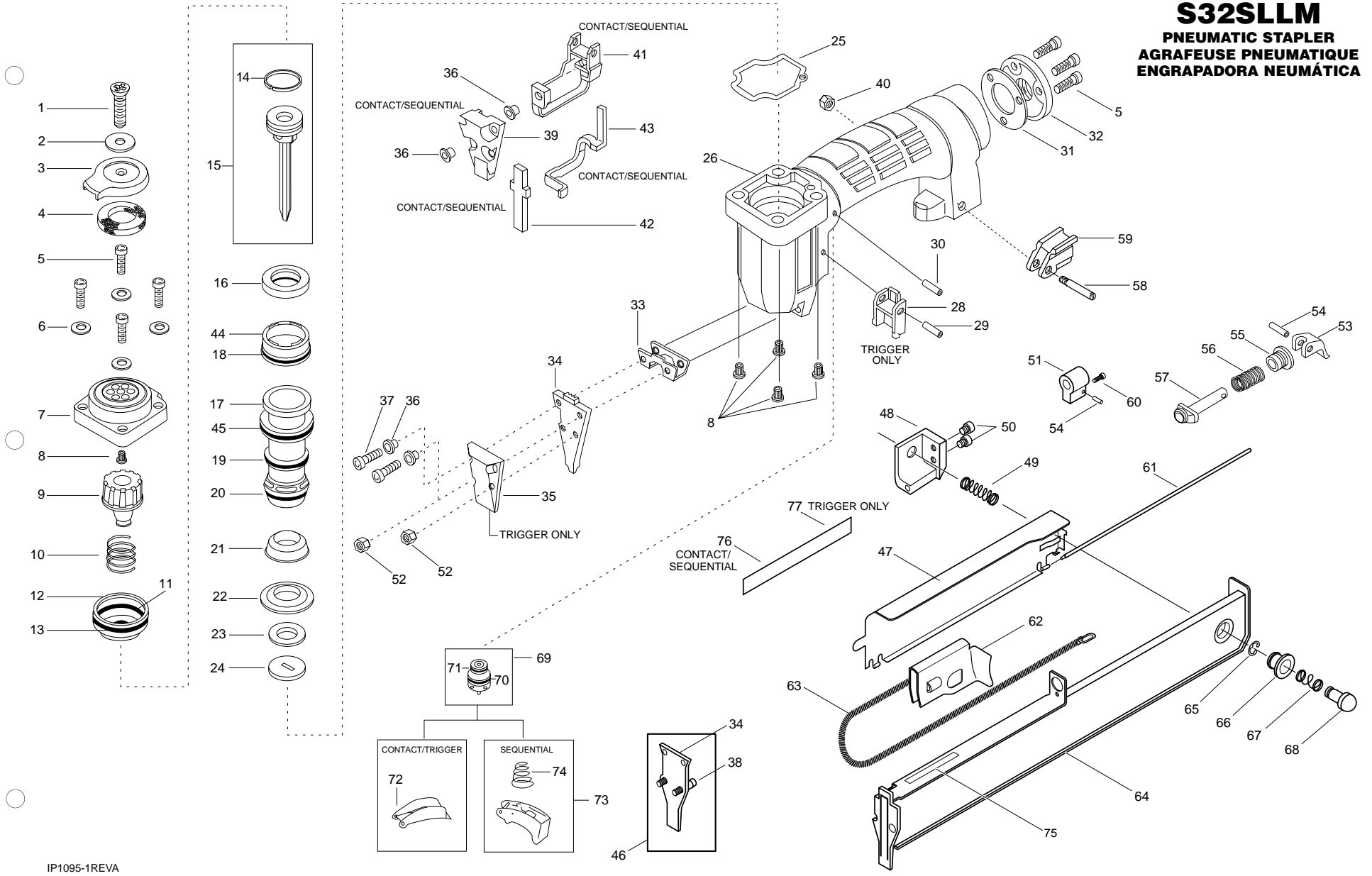


S32SLLM

PNEUMATIC STAPLER
AGRAFEUSE PNEUMATIQUE
ENGRAPADORA NEUMÁTICA



IP1095-1REVA
 USE WITH PARTS LIST IP1095-2 AND OPERATION AND MAINTENANCE MANUAL 103693.

Spare Parts for S32SLLM

| Item# | Illus. # | Description |
|-----------|----------|------------------------|
| 100297 | 1 | SCREW,CRFCHS,M4X0.7X25 |
| S32030 | 2 | WASHER, SPECIAL |
| S32032 | 3 | COVER, EXHAUST |
| S32045 | 4 | MUFFLER |
| 100260 | 5 | SCREW,SHCS,M4X0.7X20 |
| S32186 | 6 | WASHER, SPECIAL |
| T32010 | 7 | CAP,FRAME |
| S32011 | 8 | INSERT,M4 |
| T32007 | 9 | BUMPER, PISTON STOP |
| T32028 | 10 | SPRING,HEAD VALVE |
| MRG026020 | 11 | O-RING,26MMX2MM |
| T32014 | 12 | HEAD VALVE |
| MRG035020 | 13 | O-RING,1.378X.079 |
| S32109 | 14 | RING,PISTON |
| S32084A | 15 | ASSEMBLY,DRIVER/PISTON |
| T32031 | 16 | SEAL,CYLINDER SLEEVE |
| S32208 | 17 | SLEEVE,CYLINDER |
| RG161210 | 18 | O-RING,1.612X.103 |
| T32080 | 19 | SEAL, CHECK |
| 100353 | 20 | O-RING,1.301X.070 |
| 102882 | 21 | BUMPER |
| S32187 | 22 | PLATE, FRAME |
| S32001 | 23 | WASHER,SPECIAL |
| S32088 | 24 | GUIDE,DRIVER |
| T32046 | 25 | GASKET,FRAME/CAP |
| T32008A | 26 | FRAME |
| 108388 | 27 | LABEL,STANLEY-BOSTITCH |
| 106173 | 28 | STOP,TRIGGER |
| 100298 | 29 | PIN,SPRING,M3X30MM |

| | | |
|-------------|----|-------------------------|
| 102549 | 30 | PIN,SPECIAL SPIRAL |
| S32141 | 31 | GASKET, END CAP |
| S32140 | 32 | CAP,END |
| S32017A | 33 | ASSEMBLY, NUT PLATE |
| 104083 | 34 | NOSE (SL) |
| 104078 | 35 | COVER,NOSE |
| S32184 | 36 | SPACER |
| 100258 | 37 | SCREW,SHCS,M4X0.7X35 |
| 104086 | 38 | PIN,NOSE |
| 104079 | 39 | GUARD,ARM |
| MHE4070-100 | 40 | NUT, ESN M4 X 0.7 |
| 104527 | 41 | ASSEMBLY,ARM GUIDE |
| S32120 | 42 | ARM,LOWER CONTACT |
| S32127 | 43 | ARM,UPPER CONTACT |
| S32211 | 44 | RING,CYLINDER SLEEVE |
| 100817 | 45 | O-RING,1.299X.103 |
| 104560 | 46 | ASSEMBLY,NOSE (SL) |
| 104528 | 47 | ASSEMBLY, TOP GUIDE |
| 104122 | 48 | STOP, TOP GUIDE |
| 103191 | 49 | SPRING, COMPRESSION |
| MSC4070-6 | 50 | SCREW,SHCS,M4X0.70X6 |
| 104123 | 51 | HOUSING,LATCH SPRING |
| MHE5080-100 | 52 | NUT,NLN M5X.8 |
| 104526 | 53 | TOGGLE,MAGAZINE LATCH |
| 100200 | 54 | PIN,SPRING,M2.5X12MM |
| S32163 | 55 | BUSHING,TOGGLE PIN |
| S32167 | 56 | SPRING, COMPRESSION |
| S32164 | 57 | PIN,SPECIAL(MAG TOGGLE) |
| S32066 | 58 | PIN,SPECIAL |
| S32165 | 59 | BLOCK, MOUNTING |
| MSC4070-10 | 60 | SCREW,SHCS,M4X0.70X10 |

| | | |
|---------|----|-----------------------------------|
| 104150 | 61 | PIN, TOP GUIDE |
| 104125 | 62 | PUSHER (SL) |
| 103110 | 63 | SPRING, EXTENSION |
| 104537 | 64 | ASSEM., MAGAZINE & CORE BASE (SL) |
| 106063 | 65 | STUD |
| TVA5 | 69 | KIT, S32/BT TRIGGER VLV |
| 851554 | 70 | O-RING, .703X.103 |
| 86459 | 71 | O-RING, .614X.070 |
| N50082A | 72 | ASSEMBLY, TRIGGER |
| SEQ2 | 73 | KIT, SEQ TRIP CONV. |
| 100387 | 74 | SPRING, COMPRESSION |
| 100300 | 75 | LABEL, S32SL MAG. CAPACITY |
| 100151 | 76 | LABEL, WARNING CT/ST |
| 100152 | 77 | LABEL, WARNING T.O. |