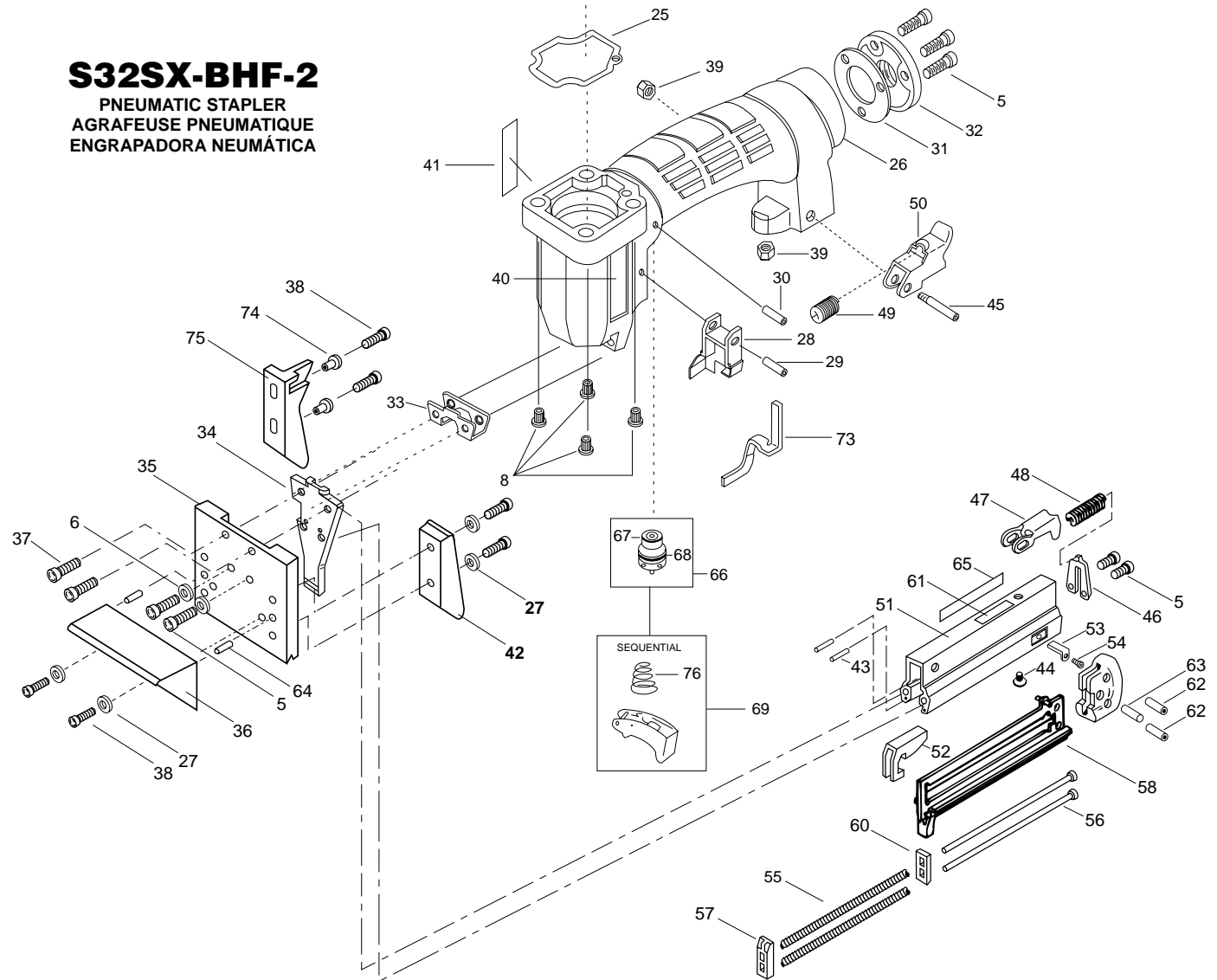


S32SX-BHF-2
PNEUMATIC STAPLER
AGRAFEUSE PNEUMÁTICA
ENGRAPADORA NEUMÁTICA



IP1093-1REVB
 USE WITH PARTS LIST IP1093-2 AND OPERATION & MAINTENANCE MANUALS 103693 AND 102276.

TO SAVE FOR FUTURE REFERENCE:
 To file this illustration in a ring binder, cut on the above line and punch holes where indicated on the other end of this sheet.

Spare Parts for S32SX-BHF-2

Item#	Illus. #	Description
100297	1	SCREW,CRFCHS,M4X0.7X25
S32030	2	WASHER, SPECIAL
S32032	3	COVER, EXHAUST
S32045	4	MUFFLER
100260	5	SCREW,SHCS,M4X0.7X20
S32186	6	WASHER, SPECIAL
T32010	7	CAP,FRAME
S32011	8	INSERT,M4
T32007	9	BUMPER, PISTON STOP
T32028	10	SPRING,HEAD VALVE
MRG026020	11	O-RING,26MMX2MM
T32014	12	HEAD VALVE
MRG035020	13	O-RING,1.378X.079
S32109	14	RING,PISTON
105541	15	ASS'Y,DRIVER/PISTON SX
T32031	16	SEAL,CYLINDER SLEEVE
S32208	17	SLEEVE,CYLINDER
RG161210	18	O-RING,1.612X.103
T32080	19	SEAL, CHECK
100353	20	O-RING,1.301X.070
102882	21	BUMPER
S32187	22	PLATE, FRAME
S32001	23	WASHER,SPECIAL
S32018	24	GUIDE,DRIVER
T32046	25	GASKET,FRAME/CAP
T32008A	26	FRAME
PW8	27	WASHER,PWR,.188
104054	28	ASSEMBLY,GUIDE ARM
100298	29	PIN,SPRING,M3X30MM

102549	30	PIN,SPECIAL SPIRAL
S32141	31	GASKET, END CAP
S32140	32	CAP,END
S32017A	33	ASSEMBLY, NUT PLATE
101753	34	NOSE
104242	35	PLATE,NOSE
102075	36	GUIDE,FRONT
100261	37	SCREW,SHCS,M4X0.7X30
MSC4070-16	38	SCREW,SHCS,M4X0.7X16
MHE4070-100	39	NUT, ESN M4 X 0.7
102277	40	LABEL,S32SX-BHF,LEFT
102278	41	LABEL,S32SX-BHF,RIGHT
104057	42	FOOT
FF21256	43	PIN,ROLL,M2X10MM
100364	44	SCREW,SFHCS,M4X0.7X14
S32066	45	PIN,SPECIAL
S32072	46	PLATE,SPRING
S32009	47	LATCH MAGAZINE
T27160	48	SPRING,COMPRESSION
S32024	49	SPRING,COMPRESSION
S32025	50	LATCH, MAGAZINE
103292	51	MAGAZINE
S32059	52	PUSHER
S32177	53	STOP,CORE
MSC4070-8	54	SCREW,SHCS,M4X0.70X8
S32065	55	SPRING,EXTENTION
S32061A	56	ASSEMBLY,SPRING ROD
S32064	57	SUPPORT,ROD
101752	58	CORE SLIDE ASS'Y
S32063	59	END,CORE
S32178	60	WASHER,PUSHER SPRING

104240	61	LABEL,S32SX-BHF-2 MAG. CAP
100263	62	PIN,SPIROL,M4X14MM
100264	63	PIN,SPIROL,.1875X.500
MPP030016	64	PIN,SPIRAL,M3X16
100151	65	LABEL, WARNING CT/ST
TVA5	66	KIT,S32/BT TRIGGER VLV
86459	67	O-RING,.614X.070
851554	68	O-RING,.703X.103
SEQ2	69	KIT,SEQ TRIP CONV.
100817	70	O-RING,1.299X.103
S32211	71	RING,CYLINDER SLEEVE
102341	72	BLOCK,INSTALLATION
104051	73	ARM,UPPER CONTACT
104058	74	BUSHING
103426	75	FOOT,ARM
100387	76	SPRING, COMPRESSION