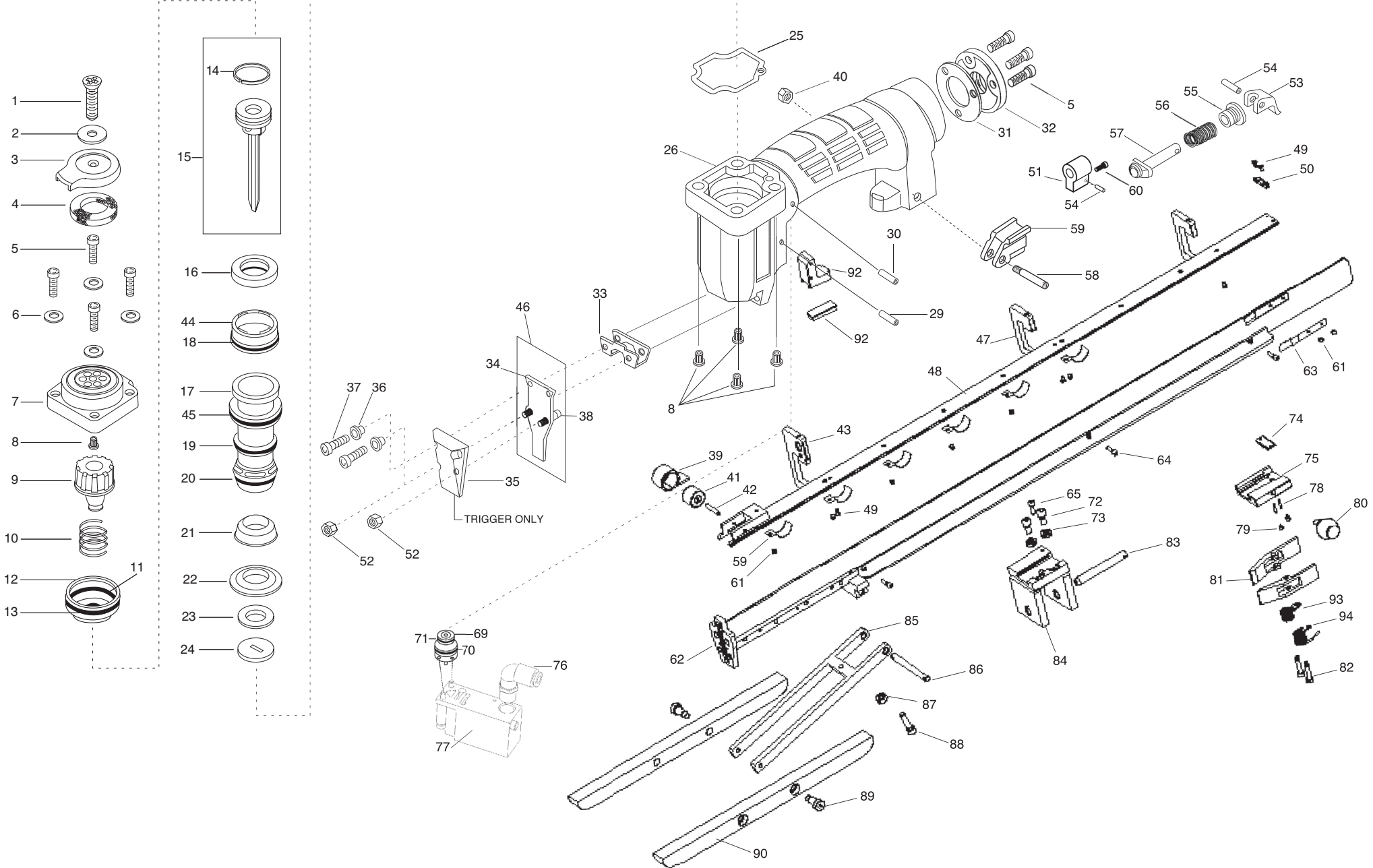


S32SX-LATMAG

PNEUMATIC STAPLER
ENGRAPADORA NEUMÁTICA
AGRAFEUSE PNEUMATIQUE



IP1150-1REVA

USE WITH PARTS LIST IP1150-2 AND OPERATION & MAINTENANCE MANUAL 103693.

Spare Parts for S32SX-LATMAG

Item#	Illus. #	Description
100297	1	SCREW,CRFCHS,M4X0.7X25
S32030	2	WASHER, SPECIAL
S32032	3	COVER,EXHAUST
S32045	4	MUFFLER
100260	5	SCREW, SOC. HD. CAP M4 X 20
S32186	6	WASHER, SPECIAL
T32010	7	CAP
S32011	8	INSERT,M4
T32007	9	BUMPER, PISTON STOP
T32028	10	SPRING,HEAD VALVE
MRG026020	11	O-RING,26MMX2MM
T32014	12	HEAD VALVE
MRG035020	13	O-RING,1.378X.079
S32109	14	RING,PISTON
105541	15	ASS'Y,DRIVER/PISTON SX
T32031	16	SEAL,CYLINDER SLEEVE
S32208	17	SLEEVE,CYLINDER
RG161210	18	O-RING,1.612X.103
T32080	19	SEAL, CHECK
100353	20	O-RING,1.301X.070
102882	21	BUMPER
S32187	22	PLATE, FRAME
S32001	23	WASHER,SPECIAL
S32018	24	GUIDE,DRIVER
T32046	25	GASKET,FRAME/CAP
T32008A	26	FRAME
108388	27	LABEL,STANLEY-BOSTITCH
106173	28	STOP,TRIGGER
100298	29	PIN,SPIRAL M3X30

102549	30	PIN,SPECIAL SPIROL M3XM25
S32141	31	GASKET, END CAP
S32140	32	CAP,END
S32017A	33	ASSEMBLY, NUT PLATE
104082	34	NOSE (SX)
104078	35	COVER,NOSE
S32184	36	SPACER
100258	37	SCREW,SHCS,M4X0.7X35
104086	38	PIN,NOSE
125878	39	SPRING,COIL
MHE4070-100	40	ELASTIC STOP NUT,M4
144338	41	ASSY.,SPRING SPACER
125879	42	PIN,SLOTTED,.125X1.00
125875	43	BRACKET,FRONT
S32211	44	RING,CYLINDER SLEEVE
100817	45	O-RING,1.299X.103
104559	46	ASSEMBLY,NOSE (SX)
125876	47	BRACKET
144343	48	ASSY.,TOP RAIL
125888	49	SCREW,FHCS,4-40X.250
144342	50	STOP
104123	51	HOUSING,LATCH SPRING
MHE5080-100	52	NUT,NYLON M5X.80
104526	53	TOGGLE,MAGAZINE LATCH
100200	54	PIN,SPRING,M2.5X12MM
S32163	55	BUSHING,TOGGLE PIN
S32167	56	SPRING, COMPRESSION
S32164	57	PIN,SPECIAL(MAG TOGGLE)
S32066	58	PIN,SPECIAL
144340	59	SPRING,STAPLE CONTROL
MSC4070-10	60	SCREW,SHCS,M4X0.70X10

158280	61	RIVET,.125
125884	62	ASSY.,CORE
144341	63	STOP,STAPLE
125883	64	SCREW,SHCS,6-32X.500
144344	65	SCREW,SHCS,8-32X.50
101260	69	ASSEMBLY,TRIGGER VALVE
851554	70	O-RING,.703X.103
86459	71	O-RING,.614X.070
158281	72	SCREW,SHCS,1/4-20X.50
144348	73	WASHER
158282	74	CLAMP,SPRING
125894	75	SLIDE
149799	76	ELBOW,1/8MPTX1/4 TUBE
101265	77	VALVE
125892	78	PIN,SPRING,.093X.50
158283	79	SCREW,SPRING CLAMP
125885	80	HANDLE
125886	81	FINGER,FEED
125887	82	SCREW,FEED FINGER
125880	83	PIN,QUICK RELEASE,PIVOT
125889	84	ASSY.,REAR PIVOT
125891	85	ARM,SHOE
158284	86	PIN,QUICK RELEASE,SHOE
125881	87	NUT,1/4-20
125882	88	SCREW,SHCS,1/4-20X1
144339	89	SCREW,SHOE ARM
125893	90	SHOE
125877	91	ASSY.,CARPET MOUNT
144345	92	FEED,CARPET
144346	93	SPRING,FEED FINGER,LEFT
144347	94	SPRING,FEED FINGER,RIGHT