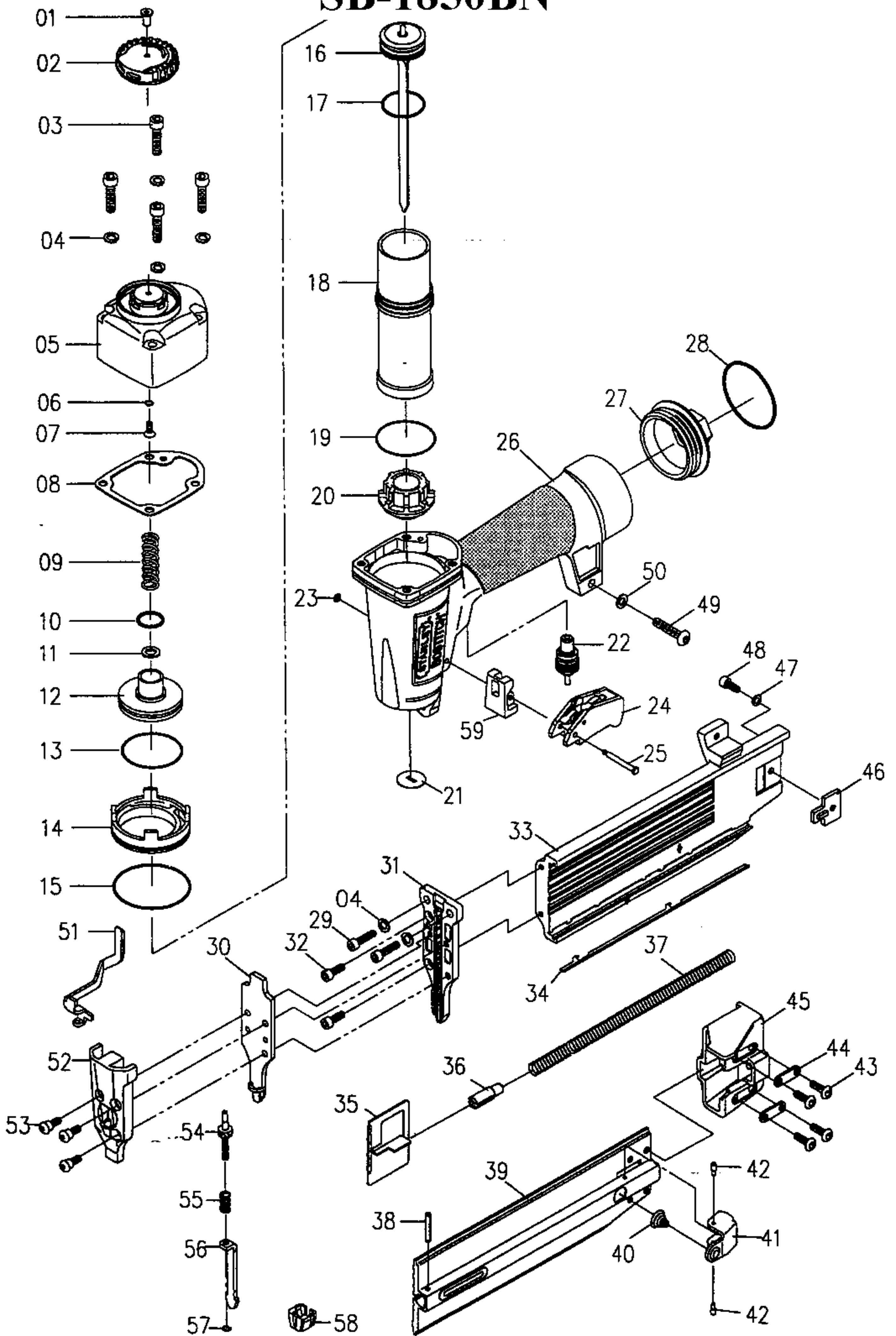


SB-1850BN



Item#	Illus. #	Description
JA1191W1	<u>1</u>	FLANGE NUT
JA1162E1	<u>2</u>	EXHAUST COVER
1A105401	<u>3</u>	HEX SOC.HD.BOLT
1D105	<u>4</u>	SPRING WASHER
JS1133D1	<u>5</u>	DEFLECTOR
1FS0003	<u>6</u>	O-RING
1L103061	<u>7</u>	BUTTON HD.CROSS SOC.SCREW
JA1151C1	<u>8</u>	PACKING
JA1041S1	<u>9</u>	SPRING
1FP0015	<u>10</u>	O-RING
1E10610	<u>11</u>	FLAT WASHER
JA1052E1	<u>12</u>	HD.VALVE PISTON
1FS0034	<u>13</u>	O-RING
JA1092E1	<u>14</u>	COLLAR
1FA0031	<u>15</u>	O-RING
JS1082U1	<u>16</u>	DRIVER UNIT
1FZ0009	<u>17</u>	O-RING
JS1101W1	<u>18</u>	CYLINDER
1FA0026	<u>19</u>	O-RING
JA111101	<u>20</u>	BUMPER
JS112111	<u>21</u>	JOINT GUIDE
FA205BA1	<u>22</u>	TRIGGER VALVE UNIT
1FA0103	<u>23</u>	O-RING
PB2081A1	<u>24</u>	SEQUENTIAL TRIGGER UNIT
JA2071W1	<u>25</u>	STEPPED PIN
JA3401A1	<u>26</u>	GUN BODY UNIT
JA3612D1	<u>27</u>	END CAP
1FZ0019	<u>28</u>	O-RING
1A105201	<u>29</u>	HEX SOC.HD.BOLT
JS4013M1	<u>30</u>	DRIVER GUIDE COVER A
JS4033H1	<u>31</u>	DRIVER GUIDE
1A104161	<u>32</u>	HEX SOC.HD.BOLT
JS4105D1	<u>33</u>	MAGAZINE A
JA406111	<u>34</u>	NAIL GUIDE
JS409111	<u>35</u>	PUSHER
JA4172E1	<u>36</u>	ROLLER
JA4141S1	<u>37</u>	SPRING
1H03012	<u>38</u>	SPRING PIN
JS4043J1	<u>39</u>	MAGAZINE B
JA4191S1	<u>40</u>	SPRING
JA420111	<u>41</u>	CLICK LEVER
JA4181W1	<u>42</u>	CLICK LEVER PIN
1L104103	<u>43</u>	BUTTON HD.SOC.SCREW
JA450111	<u>44</u>	END COVER PLATE
JS4261E1	<u>45</u>	END COVER
JS421111	<u>46</u>	REAR PLATE
1D104	<u>47</u>	SPRING WASHER
1A104061	<u>48</u>	HEX SOC.HD.BOLT
1L105201	<u>49</u>	BUTTON HD.SOC.SCREW
1E10510	<u>50</u>	FLAT WASHER

JA5073I1	<u>51</u>	SAFETY B
JS5082E1	<u>52</u>	SAFETY COVER
JA5131I1	<u>53</u>	SHOULDER SCREW
JA5161W1	<u>54</u>	SETTING KNOB
JA5092S1	<u>55</u>	SPRING
JS5062I1	<u>56</u>	SAFETY A
1I1020	<u>57</u>	E-RING
JA5101E1	<u>58</u>	SAFETY PAD
JA5141E1	<u>59</u>	SAFETY GUIDE