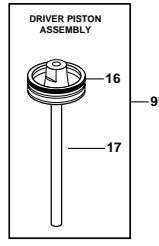
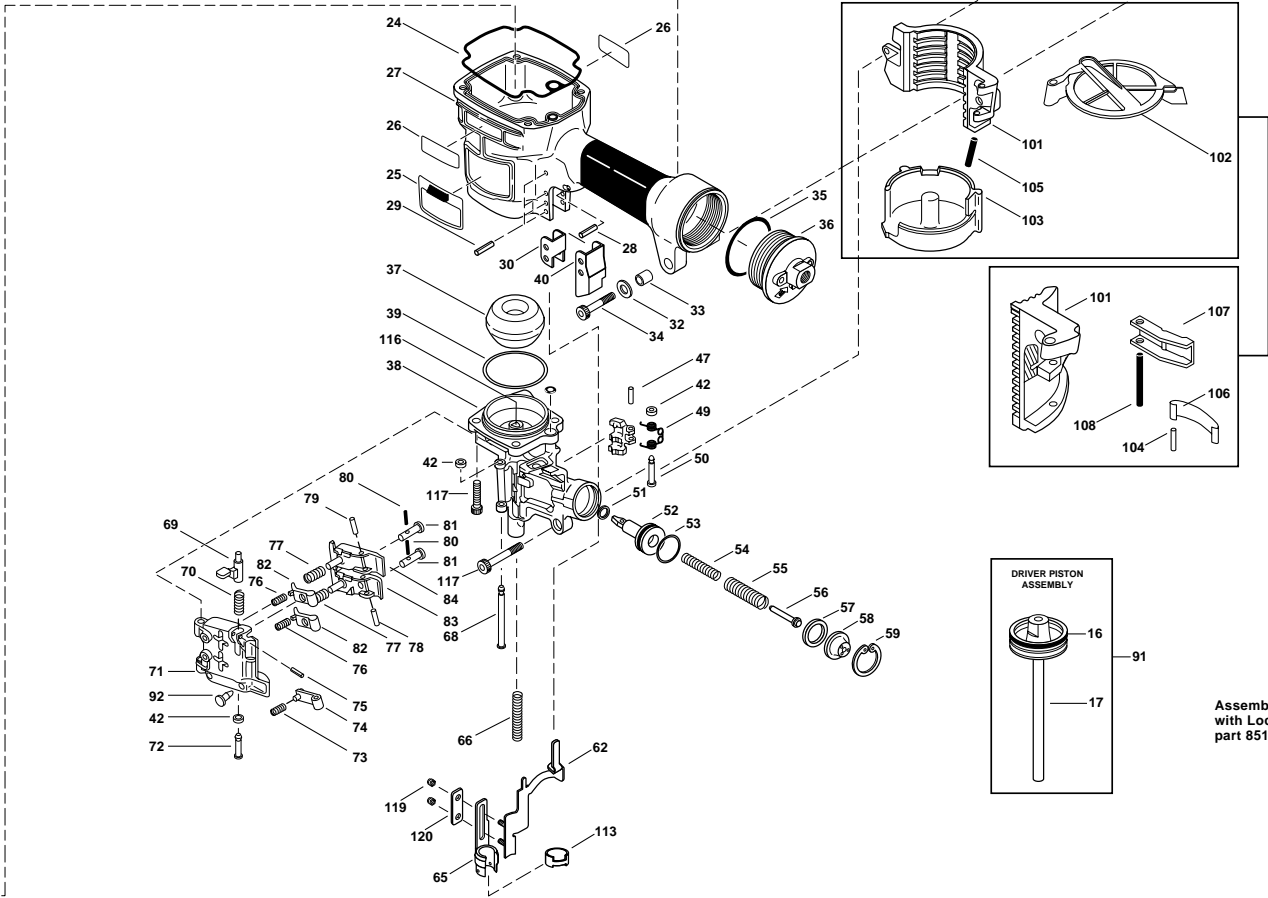
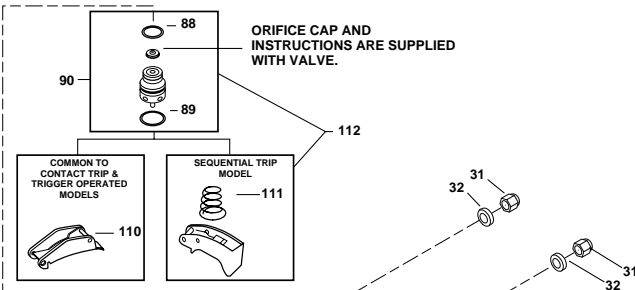


SDCN14
PNEUMATIC COIL NAILER



Assemble driver to main piston with Loctite #271, available as part 851325 - Loctite 271 Packet.

IP1060-1REVB 10/95
to be used with IP1060-2

IP1060-1 REVB

Spare Parts for SDCN14

Item#	Illus. #	Description
MSLC6100-16	1	SCREW, SLHCS M6 X 1.00X16
T55034	2	COVER, EXHAUST
T55033	3	MUFFLER
854064	4	GROMMET
MSC6100-35	5	SCREW, SHCS, M6X1.00X35
101183	6	CAP, CYLINDER (BLUE)
T55031	7	RING, BUMPER
T55050	8	BUMPER, PISTON STOP
854016	9	SPRING, HEAD VALVE
MRG041630	11	O-RING, 1.638X.118
MRG052526	12	O-RING, 2.067X.103
T55025	13	VALVE, HEAD
RG162514-1	14	O-RING, 1.599X.138
N65009	16	MAIN PISTON
101543	17	REPLACEMENT DRIVER
T60006	18	SEAL, CYLINDER
T60002	19	CYLINDER
850006	20	O-RING, 1.987X.103
T60021	21	SEAL, CHECK
T60001	22	RING, CYLINDER
851753	23	O-RING, 2.734X.139
T55024	24	GASKET, FRAME CAP
851392	25	LABEL, WARNING
851950	26	LABEL, STAN-TECH 1/2
101184	27	FRAME (BLUE)
MPP030020	28	PIN, SPIROL M3X20MM
102549	29	PIN, SPECIAL SPIRAL
100337	30	GUIDE, ARM
MHE6100-100	31	NUT, ESN M6X1

MPW6.2	32	WASHER.SPECIAL
N70143	33	BUSHING - RUBBER
MSC6100-40	34	SCREW,SHCS,M6X1.00X40
MRG044331	35	O-RING,1.748 X .122
101187	36	CAP, END (BLUE)
101200	37	BUMPER,LOWER
N65051	38	NOSE MACHINING
RG198907-1	39	O-RING
100336	40	ARM COVER - B
854004	42	WASHER
MPP030016	47	PIN,SPIRAL,M3X16
N65047	48	FEED PAWL
N65048	49	SPRING,TORSION
N50087	50	PIN,SPECIAL(STEP)
MRG009814	51	O-RING,.386X.075
N65019	52	FEED PISTON
851437	53	O-RING,.819X.095
N65042	54	COMP SPRING 3428
N65043	55	COMP SPRING 3335
N65044	56	SPRING GUIDE
N65020	57	BUMPER, FEED PISTON
N65045	58	COLLAR SPRING
MRB026	59	RETAINING RING, METRIC
101867	62	TRIP,UPPER ASSY.
101866	65	TRIP,ADJUST
100874	66	TRIP SPRING
N65036	68	PIN,SPECIAL
N70150	69	LATCH DOOR
101408	70	SPRING,COMPRESSION
N65007	71	DOOR
N65030	72	PIN,SPECIAL

N65029	73	COMP SPRING 3459
N65028	74	CHECK PAWL LOWER
MPG030012	75	PIN, ROLL 3 X 12
N65027	76	COMP SPRING 3382
N65025	77	COMP SPRING 3336
N65022	78	CHECK PAWL PIN LOWER
N65023	79	CHECK PAWL PIN UPPER
100222	80	PIN,SPRING 2.5MMX10MM
N65016	81	PIN,SPECIAL
N65026	82	CHECK PAWL SIDE PLATE
N65013	83	SIDE PLATE - B
N65012	84	SIDE PLATE - A
103000	86	LABEL,MODEL SDCN14
86459	88	O-RING,.614X.070
MRG019824	89	O-RING,.780X.094
TVA1	90	KIT,TRIGGER VALVE
N65010	91	PISTON DRIVER ASSY
101188	101	BRACKET,CANISTER - GRAY
102319	102	COVER,CANISTER
101189	103	BOTTOM,CANISTER-GRAY
UB2110.4	104	PIN, ROLL 1/8 X 5/8
UB3824.4	105	PIN, SPIROL
N80108	106	SPRING,FLAT
N80109	107	LATCH, CANISTER
UB2816.4	108	PIN, SPIROL
N50082A	110	ASSEMBLY,TRIGGER
100387	111	SPRING, COMPRESSION
SEQ1	112	KIT,SEQUENTIAL TRIP CONV.
N65046	113	TRIP,FOOT
MPW6.3	114	WASHER,PWN M6
N65015	116	DRIVER GUIDE

MSC6100-25 117 SCREW,SHCS,M6X1.00X25

MHE5080-100 119 NUT,NLN M5X.8

101870 120 PLATE, RETAINER

MRG003617 121 O-RING,.145X.070