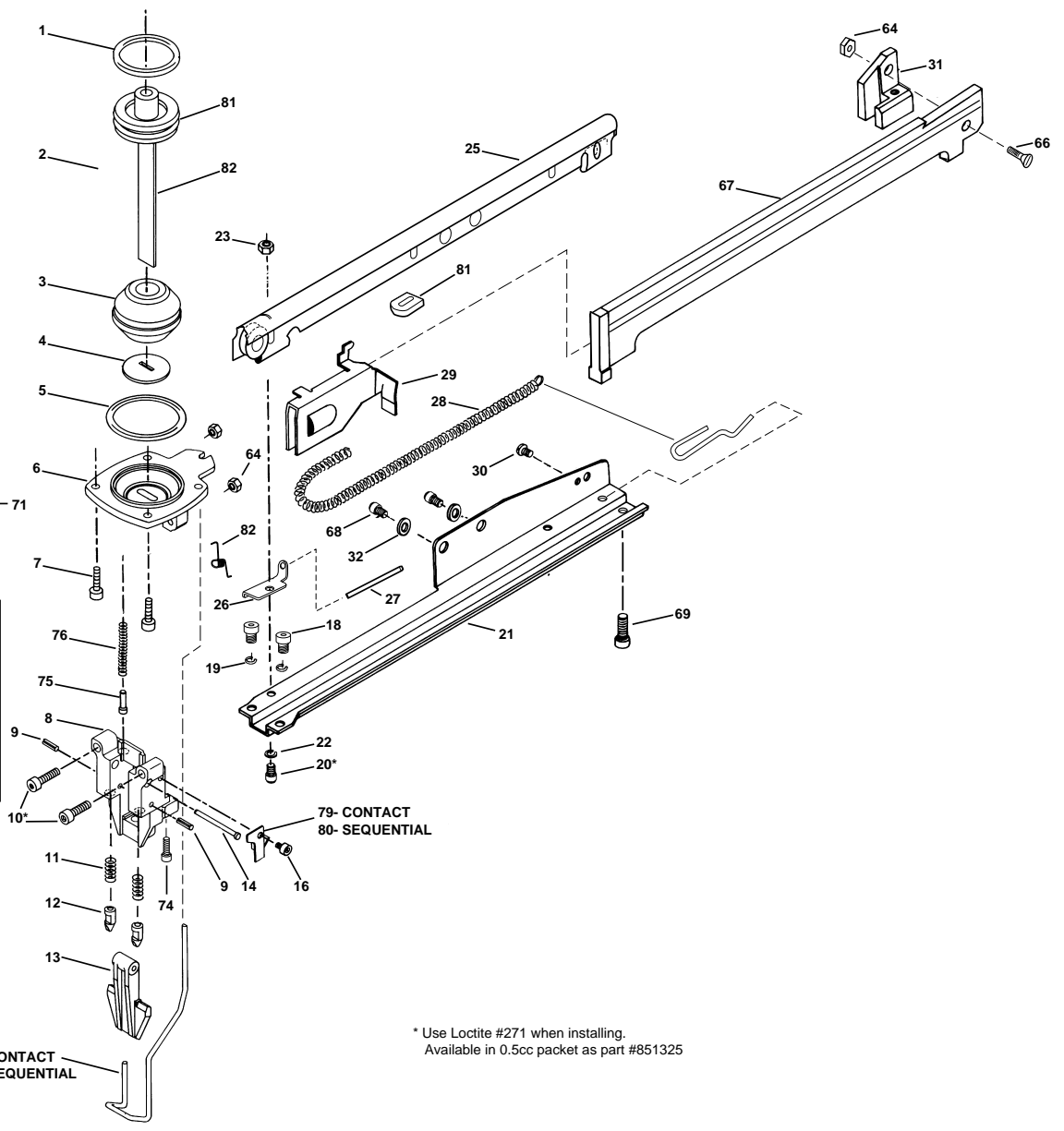
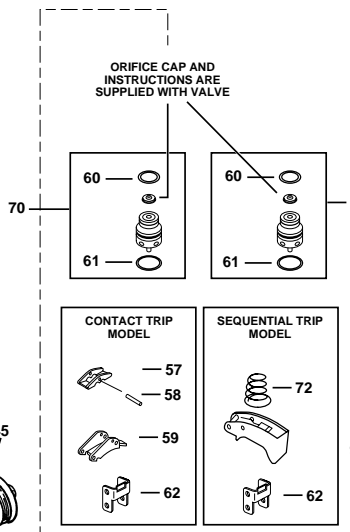
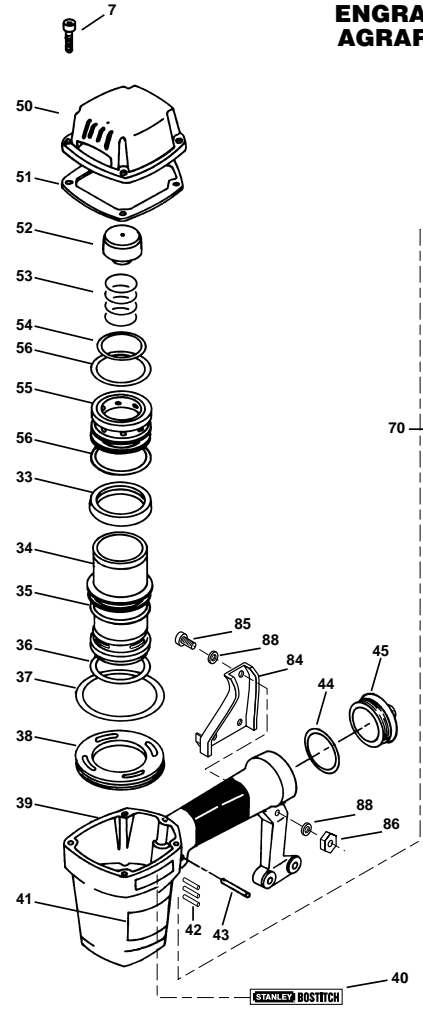


T40BSX

PNEUMATIC STAPLER
ENGRAPADORA NEUMÁTICA
AGRAFEUSE PNEUMATIQUE



77 - CONTACT
 78 - SEQUENTIAL

* Use Loctite #271 when installing.
 Available in 0.5cc packet as part #851325

IP1118-1REVB 3/98
USE WITH PARTS LIST IP1118-2REVA

Spare Parts for T40BSX

Item#	Illus. #	Description
851547	1	O-RING,1.327X.138
T40084A	2	DRIVER/PISTON ASSY
N50085	3	BUMPER
T40269	4	PLATE,BUMPER
851483	5	O-RING,1.739X.070
T40197A	6	BOTTOM PLATE ASSY.
MSC5080-20	7	SCREW,SOC HD. CAP M5 X 20
T40153	8	NOSE
9042	9	PIN,3/32x7/16
102755	10	SCREW,SHCS,M5X0.80X30
100155	11	SPRING, DOOR LATCH
100154	12	LATCH, NOSE DOOR
T40217	13	DOOR
T40148	14	PIN, DOOR HINGE
MSC4070-5	16	SCREW,SHCS,M4X0.70X5
MSC5080-10	18	SCREW,SHCS,M5X0.80X10
MLW5	19	WASHER,HSLW M5
MSC4070-10	20	SCREW,SHCS,M4X0.70X10
T40064A	21	CORE SUPPORT ASSY.
LW8	22	WASHER,#8 LOCK
MHE4070-100	23	NUT, ESN M4 X 0.7
106722	25	ASSY,SPRING COVER
106100	26	ROD,SUPPORT
106101	27	MAGAZINE COVER ROD
T40272	28	SPRING,EXTENSION
107835	29	PUSHER,SX
MMP3050-12	30	SCREW,PANHDS,M3X0.50X12
T40238	31	SUPPORT POST
T50118	32	WASHER,PWW M5

N70151	33	CYLINDER SEAL
T40198	34	CYLINDER SLEEVE
N50034	35	CHECK SEAL
850605	36	O-RING,1.925X.103
850683	37	O-RING,2.425X.103
N50015	38	RING, CYLINDER
102997	39	FRAME,SPECIAL
100813	40	LABEL,STANLEY BOSTITCH
851392	41	LABEL, WARNING
102549	42	PIN,SPECIAL SPIRAL
MPP030020	43	PIN,SPIROL M3X20MM
850235	44	O-RING,1.487X.103
101429	45	END CAP
T40002A	50	ASSEMBLY,CYLINDER CAP
N50013	51	SEAL, CYLINDER CAP
N50088	52	PISTON STOP
854015	53	COMPRESSION SPRING
MRG034826	54	O-RING,1.370X.102
N50078	55	HEAD VALVE PISTON
851548	56	O-RING,1.791X.102
T55092	57	ROCKER,TRIGGER
MPD016012	58	PIN,DOWEL,.062X.459
100607	59	ASSEMBLY,TRIGGER
86459	60	O-RING,.614X.070
851554	61	O-RING,.703X.103
T40165	62	GUIDE, CONTACT TRIP
MHE5080-100	64	NUT,NLN M5X.8
MSF5080-14	66	SCREW,SFHCS,M5X0.8X14
T40240	67	CORE ASSEMBLY, SX
MSC5080-20	68	SCREW,SOC HD. CAP M5 X 20
MSC5080-12	69	SCREW,SHCS,M5X0.8X12

103547	70	KIT,SPEED TRIGGER VALVE
SEQ1	71	KIT,SEQUENTIAL TRIP CONV.
100387	72	SPRING, COMPRESSION
T50078	73	ANCHOR, PUSHER SPRING
MSC4070-10	74	SCREW,SHCS,M4X0.70X10
T40020	75	GUIDE, TRIP SPRING
101207	76	COMPR.SPRING,SPECIAL
107601	77	TRIP,CONTACT
107603	78	TRIP, CONTACT
100644	79	HINGE PIN & TRIP STOP
T40149	80	STOP, HINGE PIN & TRIP
106105	81	BEARING,PUSHER
107296	82	SPRING,TORSION
102991	84	BRACKET,SUPPORT
MSC6100-30	85	SCREW,SHCS,M6X1.00X30
MHE6100-100	86	NUT,ESN M6X1
MPW6.2	88	WASHER.SPECIAL