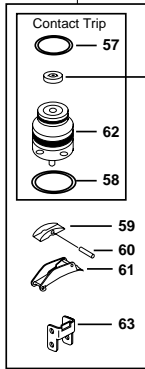
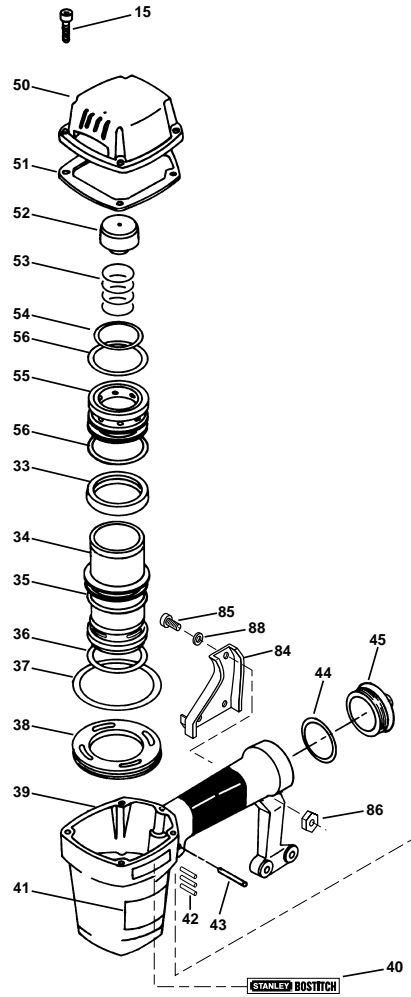
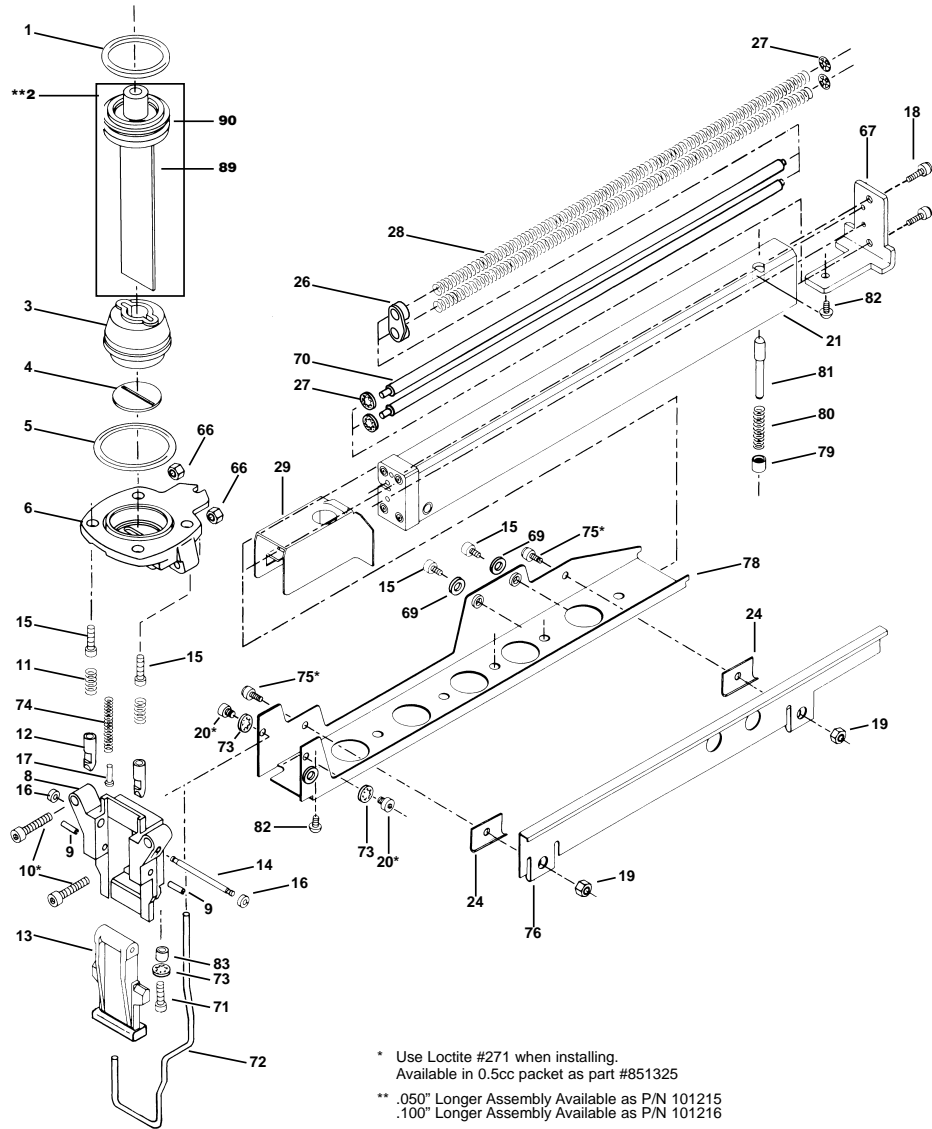


# T40S2S PNEUMATIC STAPLER



ORIFICE CAP AND INSTRUCTIONS SUPPLIED WITH VALVE



\* Use Loctite #271 when installing.  
Available in 0.5cc packet as part #851325

\*\* .050" Longer Assembly Available as P/N 101215  
.100" Longer Assembly Available as P/N 101216

Item 89 is assembled with pins UB2108.2 & UB4108.4

## Spare Parts for T40S2S

Item#	Illus. #	Description
851547	1	O-RING,1.327X.138
101214	2	DRIVER/PISTON ASSY (NAT.)
T40007	3	BUMPER, LOWER
106609	4	PLATE,BUMPER
851483	5	O-RING,1.739X.070
102122	6	ASSEMBLY,BOTTOM PLATE
T40160	8	NOSE
9042	9	PIN,3/32x7/16
102755	10	SCREW,SHCS,M5X0.80X30
100155	11	SPRING, DOOR LATCH
100154	12	LATCH, NOSE DOOR
101657	13	ASSEMBLY,DOOR
T40161	14	PIN,DOOR HINGE
MSC5080-20	15	SCREW,SOC HD. CAP M5 X 20
854004	16	WASHER
T40020	17	GUIDE, TRIP SPRING
MSC4070-12	18	SCREW,SHCS,M4X0.70X12
MHN4070-100	19	NUT, HEX M4
MSC5080-8	20	SCREW,SHCS,M5X0.80X8
T40191A	21	CORE ASSEMBLY
T40179	24	SPRING-FLAT
T40129	26	TRAVELER, FEED SPRING
851546	27	RING, RETAINING PUSH ON
T40040	28	SPRING, PUSHER FEED
T40143	29	PUSHER
N70151	33	CYLINDER SEAL
T40198	34	CYLINDER SLEEVE
N50034	35	CHECK SEAL
850605	36	O-RING,1.925X.103

850683	37	O-RING,2.425X.103
N50015	38	RING, CYLINDER
102997	39	FRAME,SPECIAL
100813	40	LABEL,STANLEY BOSTITCH
851392	41	LABEL, WARNING
102549	42	PIN,SPECIAL SPIRAL
MPP030020	43	PIN,SPIROL M3X20MM
850235	44	O-RING,1.487X.103
101429	45	END CAP
T40002A	50	ASSEMBLY,CYLINDER CAP
N50013	51	SEAL, CYLINDER CAP
N50088	52	PISTON STOP
854015	53	COMPRESSION SPRING
MRG034826	54	O-RING,1.370X.102
N50078	55	HEAD VALVE PISTON
851548	56	O-RING,1.791X.102
86459	57	O-RING,.614X.070
851554	58	O-RING,.703X.103
T55092	59	ROCKER,TRIGGER
MPD016012	60	PIN,DOWEL,.062X.459
100607	61	ASSEMBLY,TRIGGER
103547	62	KIT,SPEED TRIGGER VALVE
T40165	63	GUIDE, CONTACT TRIP
MHE5080-100	66	NUT,NLN M5X.8
T40042	67	SUPPORT, CORE END
T50118	69	WASHER,PWW M5
T40214	70	ROD,SPRING GUIDE
MSC5080-16	71	SCREW,SHCS,M5X0.80X16
102558	72	TRIP,CONTACT
MLW5	73	WASHER,HSLW M5
101207	74	COMPR.SPRING,SPECIAL

MSC4070-6	75	SCREW,SHCS,M4X0.70X6
T40046	76	COVER, PUSHER SPRING
101549	78	SUPPORT ASSEMBLY,CORE
T40142	79	BUSHING, LATCH STUD
T40137	80	SPRING,COMPRESSION
T40233	81	STUD PUSHER LATCH
MSC5080-10	82	SCREW,SHCS,M5X0.80X10
T40199	83	SLEEVE, ALIGNMENT
102991	84	BRACKET,SUPPORT
MSC6100-30	85	SCREW,SHCS,M6X1.00X30
MHE6100-100	86	NUT,ESN M6X1
MMP5080-12	87	SCREW,PANHDS,M5X0.80X12
MPW6.2	88	WASHER.SPECIAL
101676	89	DRIV.SERV.PARTS. T40S2
101202	90	PISTON,SPECIAL,NATURAL