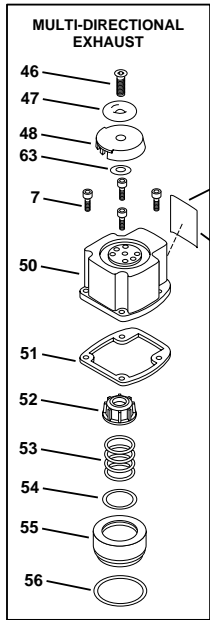


T40S5

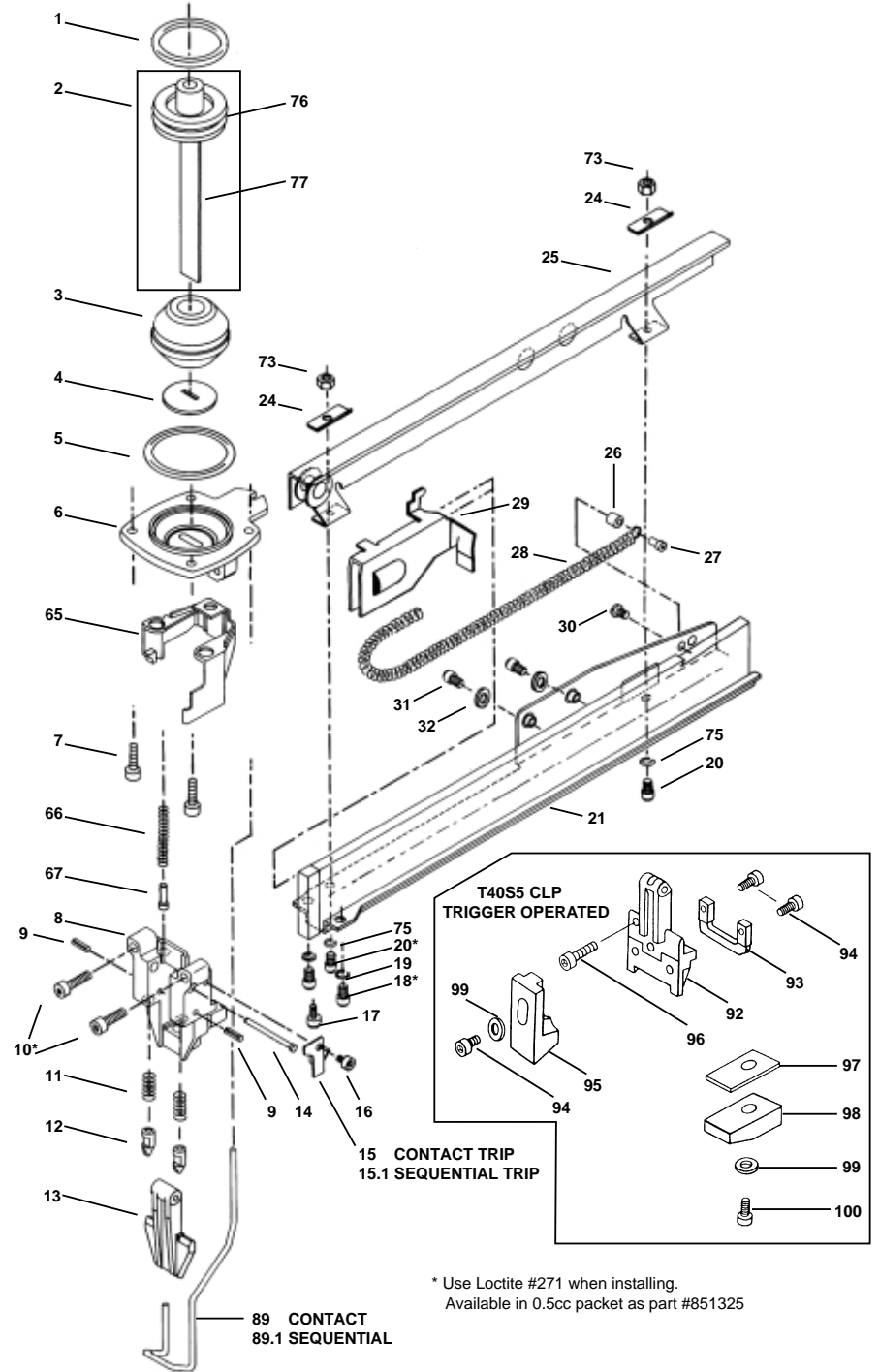
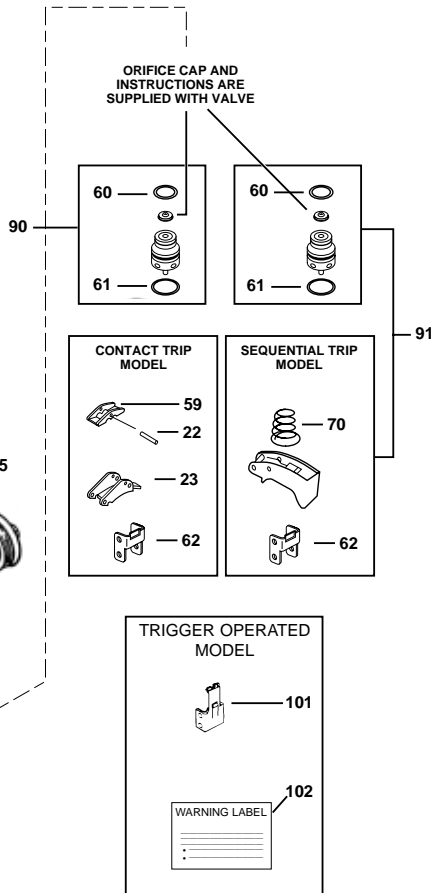
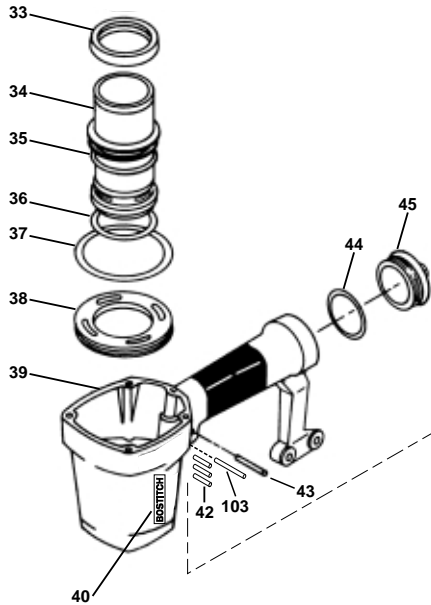
PNEUMATIC STAPLER

ENGRAPADORA NEUMÁTICA

AGRAFEUSE PNEUMATIQUE



41 CONTACT SEQUENTIAL
102 TRIGGER OPERATED



* Use Loctite #271 when installing.
Available in 0.5cc packet as part #851325

Spare Parts for T40S5

Item#	Illus. #	Description
851547	1	O-RING,1.327X.138
T40082A	2	DRIVER/PISTON ASSY,S5
N50085	3	BUMPER
T40251	4	PLATE BUMPER
851483	5	O-RING,1.739X.070
T40196A	6	BOTTOM PLATE ASSY.
MSC5080-20	7	SCREW,SOC HD. CAP M5 X 20
T40151	8	NOSE, S5
9042	9	PIN,3/32x7/16
MSC5080-25	10	SCREW,SHCS,M5X0.80X25
100155	11	SPRING, DOOR LATCH
100154	12	LATCH, NOSE DOOR
T40217	13	DOOR
T40148	14	PIN, DOOR HINGE
T40149	15	STOP, HINGE PIN & TRIP
100644	15	HINGE PIN & TRIP STOP
MSC4070-5	16	SCREW,SHCS,M4X0.70X5
MSC4070-10	17	SCREW,SHCS,M4X0.70X10
MSC5080-10	18	SCREW,SHCS,M5X0.80X10
MLW5	19	WASHER,HSLW M5
MSC4070-6	20	SCREW,SHCS,M4X0.70X6
T40104A	21	CORE SUPPORT ASSY. -S5
MPD016012	22	PIN,DOWEL,.062X.459
100607	23	ASSEMBLY,TRIGGER
T40186	24	WASHER, CURVED
T40043A	25	SPRING COVER ASSY.
T40128	26	SPACER, SPRING ANCHOR
T40127	27	ANCHOR, FEED SPRING
T40272	28	SPRING,EXTENSION

T40120	29	PUSHER, S5
MMP3050-12	30	SCREW,PANHDS,M3X0.50X12
MSC5080-12	31	SCREW,SHCS,M5X0.8X12
T50118	32	WASHER,PWW M5
N70151	33	CYLINDER SEAL
T40198	34	CYLINDER SLEEVE
N50034	35	CHECK SEAL
850605	36	O-RING,1.925X.103
850683	37	O-RING,2.425X.103
N50015	38	RING, CYLINDER
112585	39	FRAME, MACHINED
112696	40	LABEL,N59FN BOSTITCH
123069	41	LABEL,WARNING
102549	42	PIN,SPECIAL SPIRAL
MPP030020	43	PIN,SPIROL M3X20MM
850235	44	O-RING,1.487X.103
T40207	45	END CAP
MSF6100-20	46	SCREW, SFHCS M6 X 1.00X20
T50104	47	WASHER,SPECIAL
T50006	48	COVER-EXHAUST
T40255A	50	CAP,FRAME
N50013	51	SEAL, CYLINDER CAP
854015	53	COMPRESSION SPRING
MRG039231	54	O-RING,1.543X.125
T50003	55	HEAD VALVE
RG183109	56	O-RING,1.831X.098
T55092	59	ROCKER,TRIGGER
86459	60	O-RING,.614X.070
851554	61	O-RING,.703X.103
T40165	62	GUIDE, CONTACT TRIP
T40049	65	GUARD, TRIP

T40231	66	SPRING,COMPRESSION
T40020	67	GUIDE, TRIP SPRING
100387	70	SPRING, COMPRESSION
MHE4070-100	73	NUT, ESN M4 X 0.7
LW8	75	WASHER,#8 LOCK
N50059	76	PISTON, MAIN
T40252	77	DRIVER,S5 STAPLE
107601	89	TRIP,CONTACT
107603	89	TRIP, CONTACT
STV1	90	KIT,TRIGGER VALVE-SPD STE
SEQ1	91	KIT,SEQUENTIAL TRIP CONV.
T40247	92	ADAPTER,DOOR,NOSE
T40256	93	GUIDE CLIP
MSC4070-12	94	SCREW,SHCS,M4X0.70X12
T40248A	95	ASSY. SUPPORT CLIP
MSC4070-10	96	SCREW,SHCS,M4X0.70X10
T40257	97	SHIM
T40258A	98	ASSY. SUPPORT CLIP
MPW4	99	WASHER,PWN,M4
MSC4070-16	100	SCREW,SHCS,M4X0.7X16
N60048	101	GUIDE, TRIP (TRIGGER OP)
851364	102	LABEL, WARNING
106058	103	PIN,SPRING,M3X32