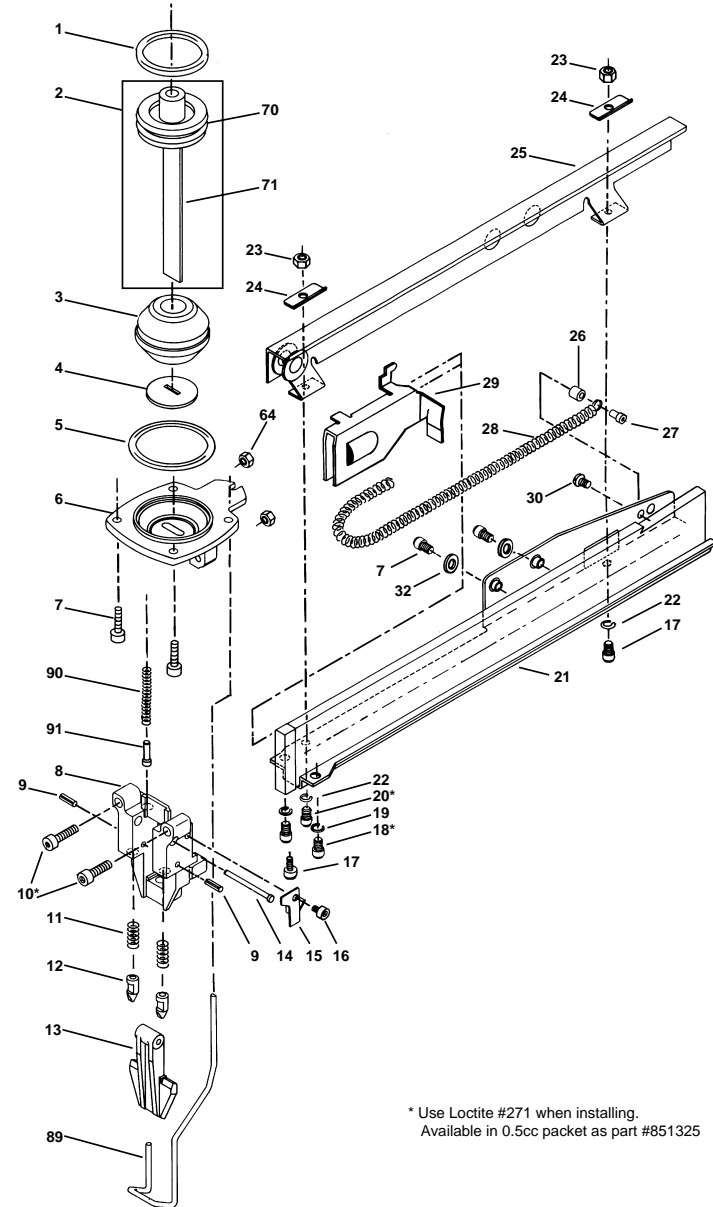
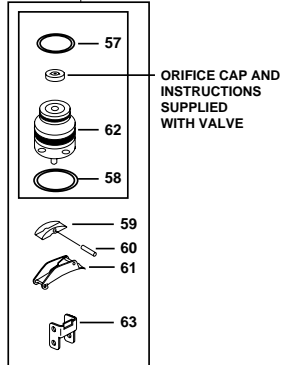
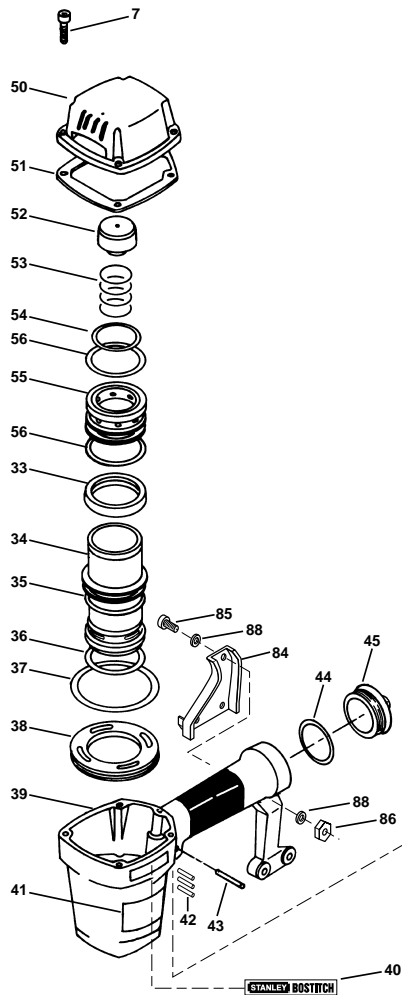


T40S5M PNEUMATIC STAPLER



* Use Loctite #271 when installing.
Available in 0.5cc packet as part #851325

IP1056-1REVC 4/97
USE WITH PARTS LIST IP1056-2

TO SAVE FOR FUTURE REFERENCE:
To file this illustration in a ring binder, cut on the above line and punch holes where indicated on the other end of this sheet.

Spare Parts for T40S5M

Item#	Illus. #	Description
851547	1	O-RING,1.327X.138
T40082A	2	DRIVER/PISTON ASSY,S5
N50085	3	BUMPER
T40251	4	PLATE BUMPER
851483	5	O-RING,1.739X.070
T40196A	6	BOTTOM PLATE ASSY.
MSC5080-20	7	SCREW,SOC HD. CAP M5 X 20
T40151	8	NOSE, S5
9042	9	PIN,3/32x7/16
102755	10	SCREW,SHCS,M5X0.80X30
100155	11	SPRING, DOOR LATCH
100154	12	LATCH, NOSE DOOR
T40217	13	DOOR
T40148	14	PIN, DOOR HINGE
100644	15	HINGE PIN & TRIP STOP
MSC4070-5	16	SCREW,SHCS,M4X0.70X5
MSC4070-10	17	SCREW,SHCS,M4X0.70X10
MSC5080-10	18	SCREW,SHCS,M5X0.80X10
MLW5	19	WASHER,HSLW M5
T40104A	21	CORE SUPPORT ASSY. -S5
LW8	22	WASHER,#8 LOCK
MHE4070-100	23	NUT, ESN M4 X 0.7
T40186	24	WASHER, CURVED
T40043A	25	SPRING COVER ASSY.
T40128	26	SPACER, SPRING ANCHOR
T40127	27	ANCHOR, FEED SPRING
T40272	28	SPRING,EXTENSION
T40120	29	PUSHER, S5
MMP3050-12	30	SCREW,PANHDS,M3X0.50X12

MSC5080-12	31	SCREW,SHCS,M5X0.8X12
T50118	32	WASHER,PWW M5
N70151	33	CYLINDER SEAL
T40198	34	CYLINDER SLEEVE
N50034	35	CHECK SEAL
850605	36	O-RING,1.925X.103
850683	37	O-RING,2.425X.103
N50015	38	RING, CYLINDER
102997	39	FRAME,SPECIAL
100813	40	LABEL,STANLEY BOSTITCH
851392	41	LABEL, WARNING
102549	42	PIN,SPECIAL SPIRAL
MPP030020	43	PIN,SPIROL M3X20MM
850235	44	O-RING,1.487X.103
101429	45	END CAP
T40002A	50	ASSEMBLY,CYLINDER CAP
N50013	51	SEAL, CYLINDER CAP
N50088	52	PISTON STOP
854015	53	COMPRESSION SPRING
MRG034826	54	O-RING,1.370X.102
N50078	55	HEAD VALVE PISTON
851548	56	O-RING,1.791X.102
86459	57	O-RING,.614X.070
851554	58	O-RING,.703X.103
T55092	59	ROCKER,TRIGGER
MPD016012	60	PIN,DOWEL,.062X.459
100607	61	ASSEMBLY,TRIGGER
103547	62	KIT,SPEED TRIGGER VALVE
T40165	63	GUIDE, CONTACT TRIP
MHE5080-100	64	NUT,NLN M5X.8
N50059	70	PISTON, MAIN

T40252	71	DRIVER,S5 STAPLE
102991	84	BRACKET,SUPPORT
MSC6100-30	85	SCREW,SHCS,M6X1.00X30
MHE6100-100	86	NUT,ESN M6X1
MPW6.2	88	WASHER.SPECIAL
100643	89	TRIP, CONTACT
101207	90	COMPR.SPRING,SPECIAL
T40020	91	GUIDE, TRIP SPRING