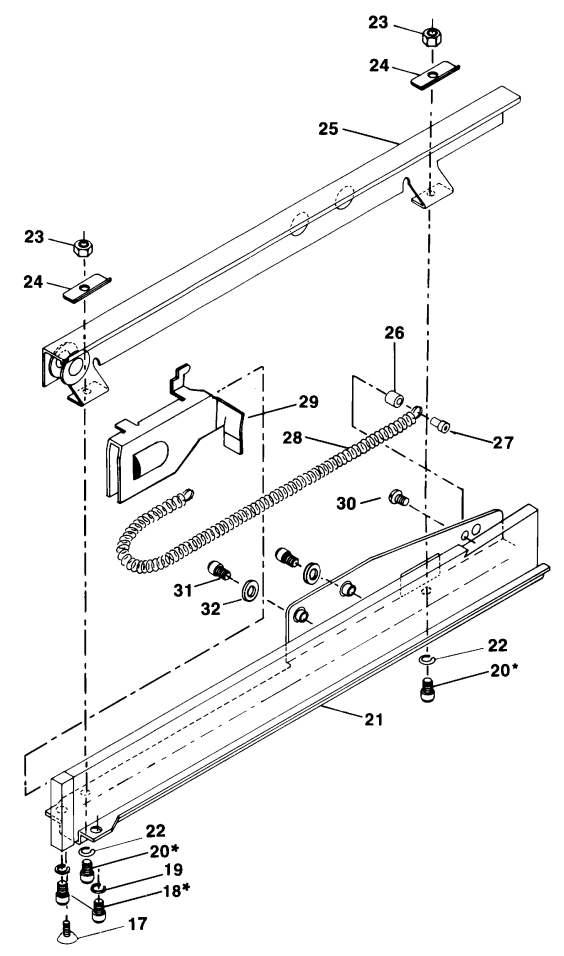
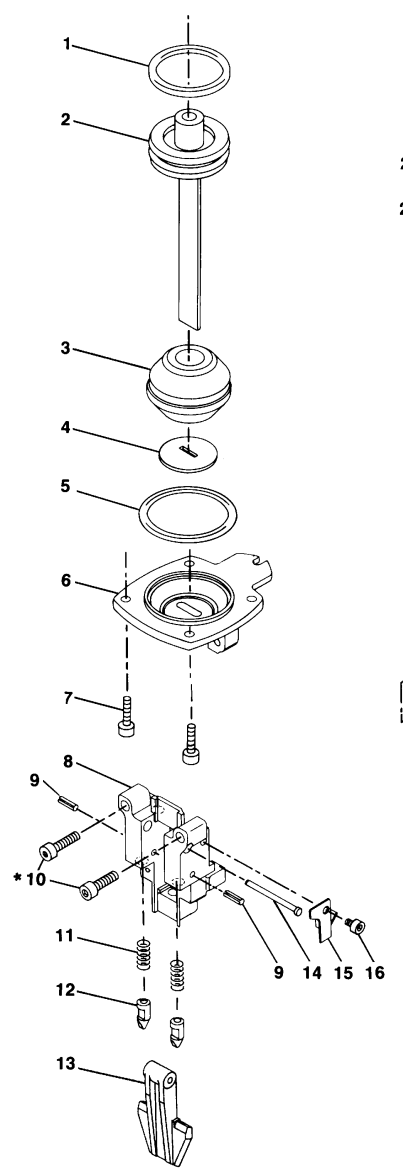
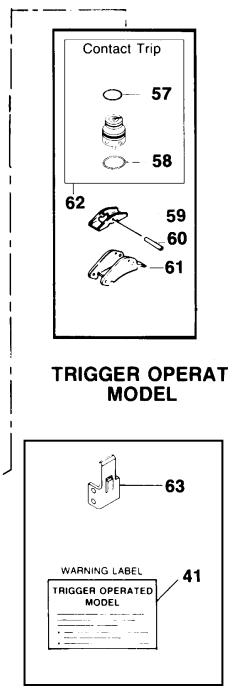


T40S5-SF PNEUMATIC STAPLER



* Use Loctite #271 when installing. Available in 0.5cc packet as part #851325. See special assembly instructions on page 22.

Spare Parts for T40S5-SF

Item#	Illus. #	Description
851547	1	O-RING,1.327X.138
102262	2	ASSY,DRIVER/PISTON T40S5-SF
N50085	3	BUMPER
T40251	4	PLATE BUMPER
851483	5	O-RING,1.739X.070
T40196A	6	BOTTOM PLATE ASSY.
MSC5080-20	7	SCREW,SOC HD. CAP M5 X 20
T40151	8	NOSE, S5
9042	9	PIN,3/32x7/16
MSC5080-25	10	SCREW,SHCS,M5X0.80X25
100155	11	SPRING, DOOR LATCH
100154	12	LATCH, NOSE DOOR
T40217	13	DOOR
T40148	14	PIN, DOOR HINGE
100644	15	HINGE PIN & TRIP STOP
MSC4070-5	16	SCREW,SHCS,M4X0.70X5
MSC4070-10	17	SCREW,SHCS,M4X0.70X10
MSC5080-10	18	SCREW,SHCS,M5X0.80X10
MLW5	19	WASHER,HSLW M5
MSC4070-6	20	SCREW,SHCS,M4X0.70X6
102261	21	3SSY,CORE SUPPORT T40S5-SF
LW8	22	WASHER,#8 LOCK
MHE4070-100	23	NUT, ESN M4 X 0.7
T40186	24	WASHER, CURVED
T40043A	25	SPRING COVER ASSY.
T40128	26	SPACER, SPRING ANCHOR
T40127	27	ANCHOR, FEED SPRING
T40272	28	SPRING,EXTENSION
102247	29	PUSHER-SHORT STAPLE S5

MMP3050-12	30	SCREW,PANHDS,M3X0.50X12
MSC5080-12	31	SCREW,SHCS,M5X0.8X12
MPW5	32	WASHER, PLAIN (M5)
N70151	33	CYLINDER SEAL
T40198	34	CYLINDER SLEEVE
N50034	35	CHECK SEAL
850605	36	O-RING,1.925X.103
850683	37	O-RING,2.425X.103
N50015	38	RING, CYLINDER
N50022	39	FRAME
851881S	40	STANLEY-BOSTITCH LABEL
851817	41	LABEL,WARNING
102549	42	PIN,SPECIAL SPIRAL
MPG030025	42	PIN, ROLL 3 X 25 CARBON STEEL
MPP030020	43	PIN,SPIROL M3X20MM
850235	44	O-RING,1.487X.103
T40207	45	END CAP
T40002A	50	ASSEMBLY,CYLINDER CAP
N50013	51	SEAL, CYLINDER CAP
N50088	52	PISTON STOP
854015	53	COMPRESSION SPRING
MRG034826	54	O-RING,1.370X.102
T50003	55	HEAD VALVE
851548	56	O-RING,1.791X.102
86459	57	O-RING,.614X.070
MRG019824	58	O-RING,.780X.094
N50082A	61	ASSEMBLY,TRIGGER
TVA1	62	KIT,TRIGGER VALVE
N60048	63	GUIDE, TRIP (TRIGGER OP)