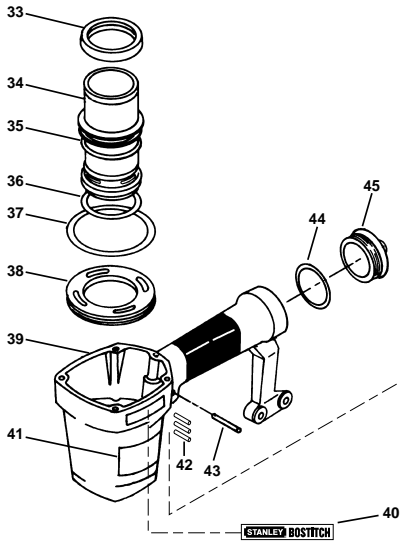
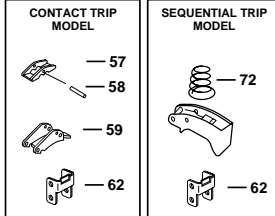
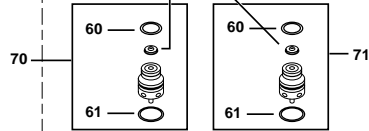


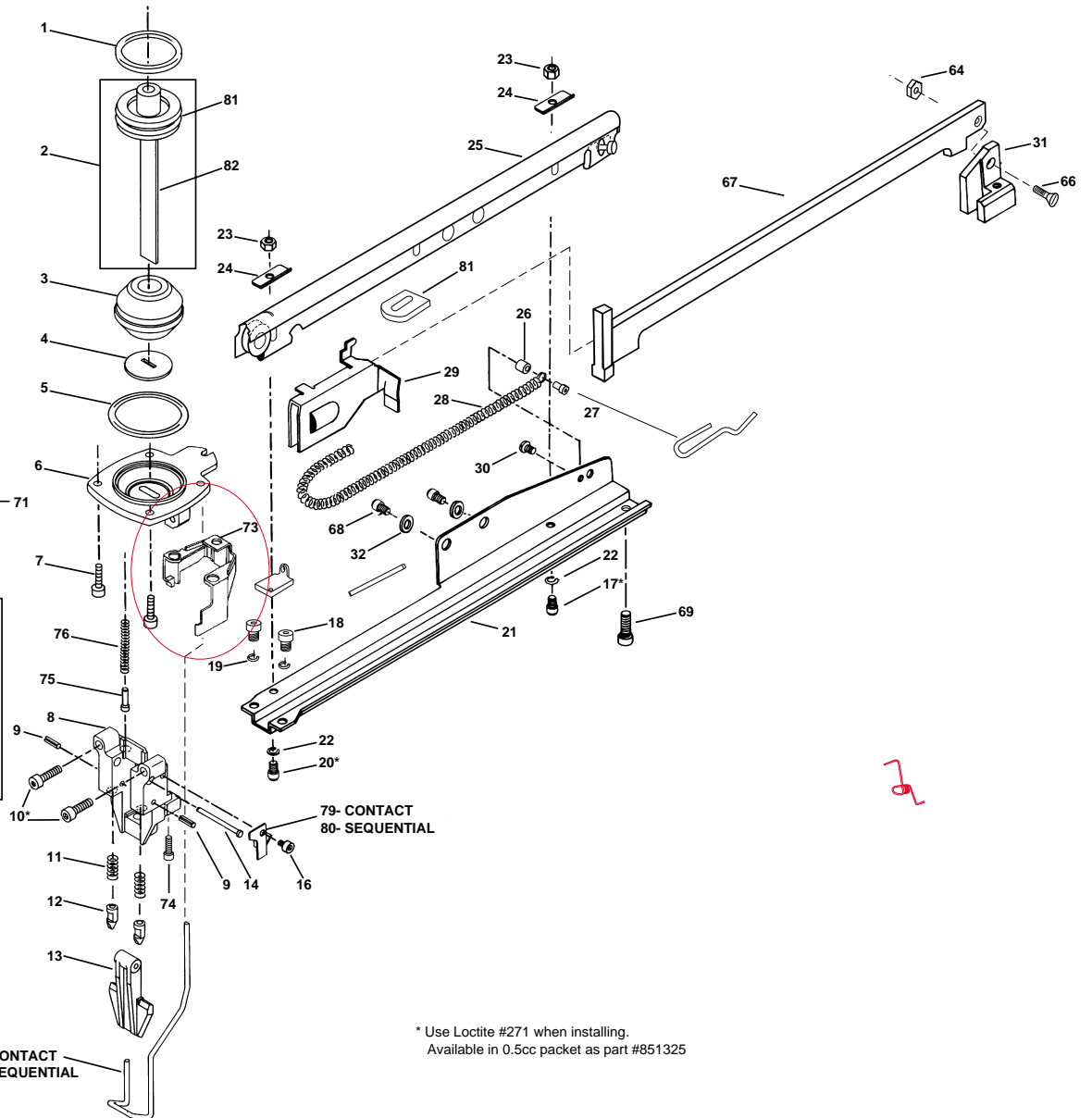
**T40SX**  
**PNEUMATIC STAPLER**  
**AGRAFEUSE PNEUMATIQUE**  
**ENGRAPADORA NEUMÁTICA**



ORIFICE CAP AND INSTRUCTIONS ARE SUPPLIED WITH VALVE



77 - CONTACT  
78 - SEQUENTIAL



\* Use Loctite #271 when installing.  
Available in 0.5cc packet as part #851325

## Spare Parts for T40SX

Item#	Illus. #	Description
851547	1	O-RING,1.327X.138
T40084A	2	DRIVER/PISTON ASSY
N50085	3	BUMPER
T40269	4	PLATE,BUMPER
851483	5	O-RING,1.739X.070
T40197A	6	BOTTOM PLATE ASSY.
MSC5080-20	7	SCREW,SOC HD. CAP M5 X 20
T40153	8	NOSE
9042	9	PIN,3/32x7/16
102755	10	SCREW,SHCS,M5X0.80X30
100155	11	SPRING, DOOR LATCH
100154	12	LATCH, NOSE DOOR
T40217	13	DOOR
T40148	14	PIN, DOOR HINGE
MSC4070-5	16	SCREW,SHCS,M4X0.70X5
MSC4070-10	17	SCREW,SHCS,M4X0.70X10
MSC5080-10	18	SCREW,SHCS,M5X0.80X10
MLW5	19	WASHER,HSLW M5
T40064A	21	CORE SUPPORT ASSY.
LW8	22	WASHER,#8 LOCK
MHE4070-100	23	NUT, ESN M4 X 0.7
T40186	24	WASHER, CURVED
T40123A	25	SPRING COVER ASSY.
T40128	26	SPACER, SPRING ANCHOR
T40127	27	ANCHOR, FEED SPRING
T40272	28	SPRING,EXTENSION
T40122	29	PUSHER
MMP3050-12	30	SCREW,PANHDS,M3X0.50X12
T40238	31	SUPPORT POST

T50118	32	WASHER,PWW M5
N70151	33	CYLINDER SEAL
T40198	34	CYLINDER SLEEVE
N50034	35	CHECK SEAL
850605	36	O-RING,1.925X.103
850683	37	O-RING,2.425X.103
N50015	38	RING, CYLINDER
N50022	39	FRAME
100813	40	LABEL,STANLEY BOSTITCH
851392	41	LABEL, WARNING
102549	42	PIN,SPECIAL SPIRAL
MPP030020	43	PIN,SPIROL M3X20MM
850235	44	O-RING,1.487X.103
T40207	45	END CAP
MSF6100-20	46	SCREW, SFHCS M6 X 1.00X20
T50104	47	WASHER,SPECIAL
T50006	48	COVER-EXHAUST
T40255A	50	CAP,FRAME
N50013	51	SEAL, CYLINDER CAP
T50002	52	BUMPER, TOP
854015	53	COMPRESSION SPRING
MRG039231	54	O-RING,1.543X.125
T50003	55	HEAD VALVE
RG183109	56	O-RING,1.831X.098
T55092	57	ROCKER,TRIGGER
MPD016012	58	PIN,DOWEL,.062X.459
100607	59	ASSEMBLY,TRIGGER
86459	60	O-RING,.614X.070
851554	61	O-RING,.703X.103
T40165	62	GUIDE, CONTACT TRIP
MPW6	63	WASHER

MHE5080-100	64	NUT,NLN M5X.8
MSF5080-14	66	SCREW,SFHCS,M5X0.8X14
T40240	67	CORE ASSEMBLY, SX
MSC5080-12	68	SCREW,SHCS,M5X0.8X12
MSC5080-12	69	SCREW,SHCS,M5X0.8X12
TVA1	70	KIT,TRIGGER VALVE
SEQ1	71	KIT,SEQUENTIAL TRIP CONV.
100387	72	SPRING, COMPRESSION
T40271	73	GUARD, TRIP
T40020	75	GUIDE, TRIP SPRING
T40231	76	SPRING,COMPRESSION
100643	77	TRIP, CONTACT
T40150	78	TRIP, CONTACT
100644	79	HINGE PIN & TRIP STOP
T40149	80	STOP, HINGE PIN & TRIP
N50059	81	PISTON, MAIN
T40088	82	DRIVER, SX STAPLE