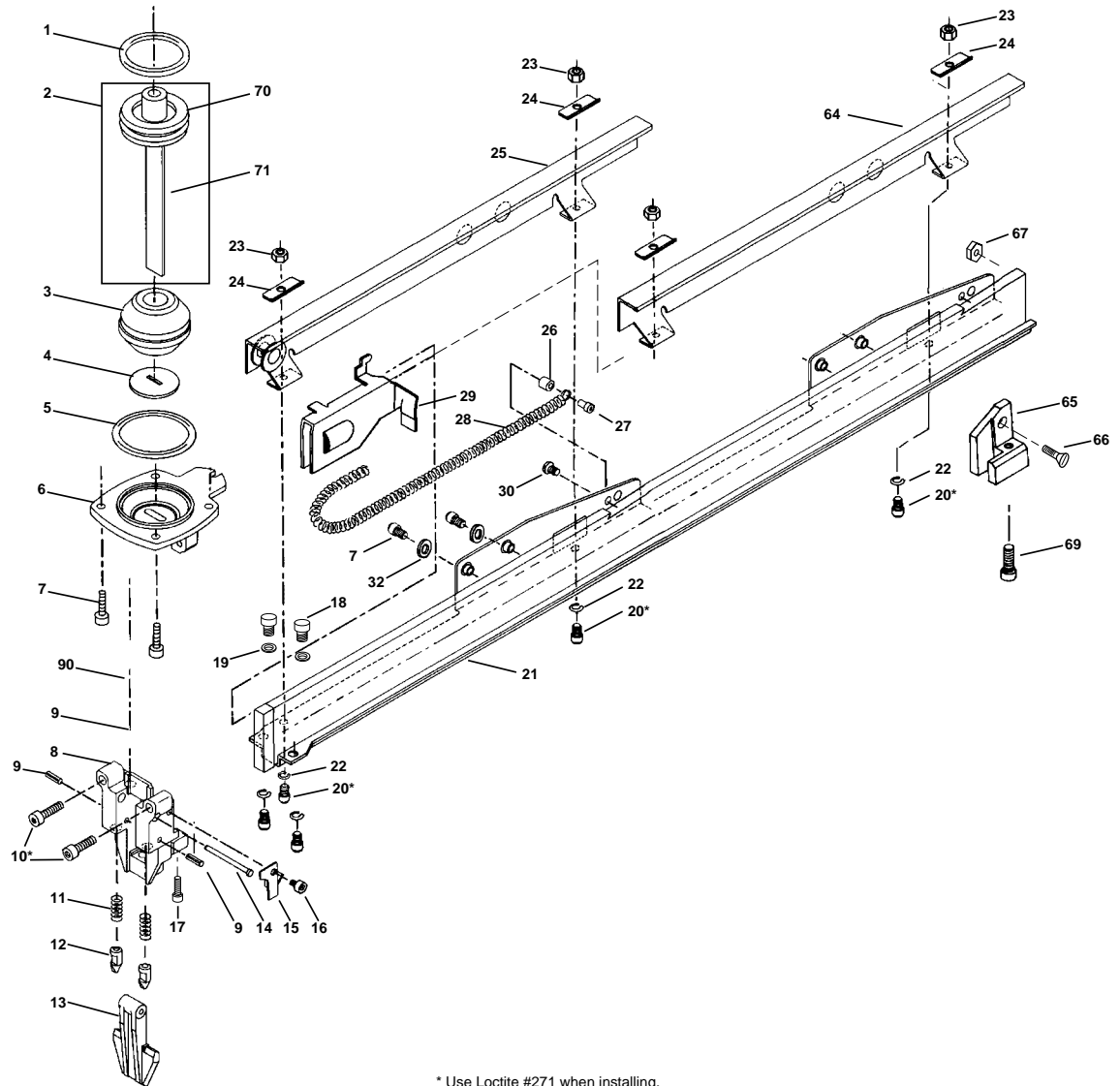
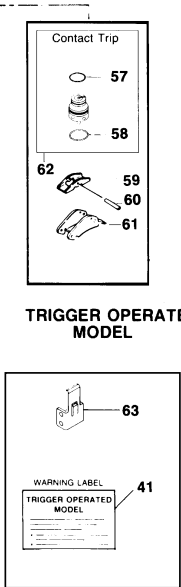
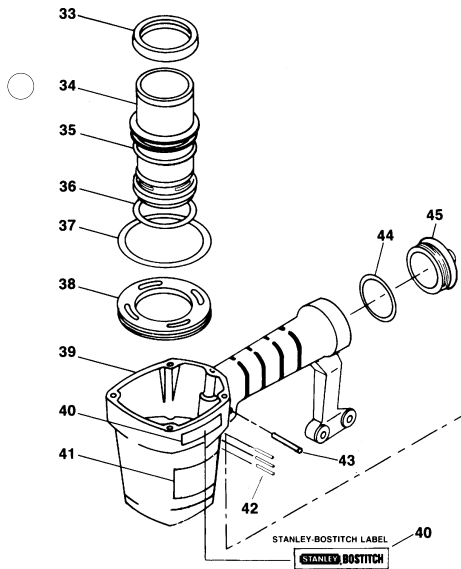


T40SX-LM PNEUMATIC STAPLER



* Use Loctite #271 when installing.
Available in 0.5cc packet as part #851325

Spare Parts for T40SX-LM

Item#	Illus. #	Description
851547	1	O-RING,1.327X.138
T40084A	2	DRIVER/PISTON ASSY
N50085	3	BUMPER
T40269	4	PLATE,BUMPER
851483	5	O-RING,1.739X.070
MSC5080-20	7	SCREW,SOC HD. CAP M5 X 20
T40153	8	NOSE
MSC5080-25	10	SCREW,SHCS,M5X0.80X25
100155	11	SPRING, DOOR LATCH
100154	12	LATCH, NOSE DOOR
T40217	13	DOOR
T40148	14	PIN, DOOR HINGE
MSC4070-5	16	SCREW,SHCS,M4X0.70X5
MSC5080-10	18	SCREW,SHCS,M5X0.80X10
MLW5	19	WASHER,HSLW M5
MSC4070-6	20	SCREW,SHCS,M4X0.70X6
MSC4070-10	20	SCREW,SHCS,M4X0.70X10
102366	21	ASSEMBLY,CORE SUPPORT SX-LM
LW8	22	WASHER,#8 LOCK
MHE4070-100	23	NUT, ESN M4 X 0.7
T40186	24	WASHER, CURVED
T40123A	25	SPRING COVER ASSY.
T40128	26	SPACER, SPRING ANCHOR
T40127	27	ANCHOR, FEED SPRING
102371	28	SPRING,FEED-LM
T40122	29	PUSHER
N70151	33	CYLINDER SEAL
T40198	34	CYLINDER SLEEVE
N50034	35	CHECK SEAL

850605	36	O-RING,1.925X.103
850683	37	O-RING,2.425X.103
N50015	38	RING, CYLINDER
100644	39	HINGE PIN & TRIP STOP
N50022	39	FRAME
100813	40	LABEL,STANLEY BOSTITCH
851817	41	LABEL,WARNING
MPP030020	42	PIN,SPIROL M3X20MM
850235	44	O-RING,1.487X.103
T40207	45	END CAP
MSF6100-20	46	SCREW, SFHCS M6 X 1.00X20
T50104	47	WASHER,SPECIAL
T50006	49	COVER-EXHAUST
T40255A	50	CAP,FRAME
N50013	51	SEAL, CYLINDER CAP
T50002	52	BUMPER, TOP
854015	53	COMPRESSION SPRING
MRG039231	54	O-RING,1.543X.125
T50003	55	HEAD VALVE
T55092	59	ROCKER,TRIGGER
MPD016012	60	PIN,DOWEL,.062X.459
TVA1	62	KIT,TRIGGER VALVE
N60048	63	GUIDE, TRIP (TRIGGER OP)
102352	64	COVER,PUSHER SPRING SX-LM
T40238	65	SUPPORT POST
MSF5080-14	66	SCREW,SFHCS,M5X0.8X14
MHE5080-100	67	NUT,NLN M5X.8
MSC5080-12	69	SCREW,SHCS,M5X0.8X12
N50059	70	PISTON, MAIN
T40088	71	DRIVER, SX STAPLE