

# TU-216-2330

INDUSTRIAL 23 GAUGE PINNER  
CLAVETEADORA INDUSTRIAL DE CALIBRE 23  
CLOUEUR À GOUPILLES INDUSTRIEL CALIBRE 23

# BOSTITCH®

## TU-216-2330

INDUSTRIAL 23 GAUGE PINNER  
CLAVETEADORA INDUSTRIAL DE CALIBRE 23  
CLOUEUR À GOUPILLES INDUSTRIEL CALIBRE 23



### TOOL PARTS ILLUSTRATION ILUSTRACIÓN DE LAS PIEZAS DE LA HERRAMIENTA ILLUSTRATION DES PIÈCES D'OUTILLAGE

**▲WARNING:**

**▲ADVERTENCIA:**

**▲ATTENTION:**

BEFORE PERFORMING REPAIRS ON THIS TOOL, ALL OPERATORS SHOULD STUDY THIS ILLUSTRATION, AS WELL AS THE PARTS LIST AND OPERATION AND MAINTENANCE MANUAL. OPERATORS SHOULD UNDERSTAND AND FOLLOW ALL SAFETY WARNINGS AND INSTRUCTIONS. KEEP THIS ILLUSTRATION WITH THE TOOL FOR FUTURE REFERENCE. IF YOU HAVE ANY QUESTIONS, CONTACT YOUR BOSTITCH REPRESENTATIVE DISTRIBUTOR.

ANTES DE LLEVAR A CABO CUALQUIER REPARACIÓN EN LA HERRAMIENTA, TODOS LOS OPERARIOS DEBERÁN ESTUDIAR ESTA ILUSTRACIÓN, ASÍ COMO LA LISTA DE PIEZAS Y EL MANUAL DE OPERACIÓN Y MANTENIMIENTO. LOS OPERARIOS DEBERÁN ENTENDER Y SEGUIR TODAS LAS ADVERTENCIAS E INSTRUCCIONES DE SEGURIDAD. CONSERVE ESTA ILUSTRACIÓN CON LA HERRAMIENTA PARA PODER CONSULTARLA EN LO FUTURO. SI TUVIERA ALGUNA PREGUNTA, PÓNGASE EN CONTACTO CON SU REPRESENTANTE O DISTRIBUIDOR DE BOSTITCH.

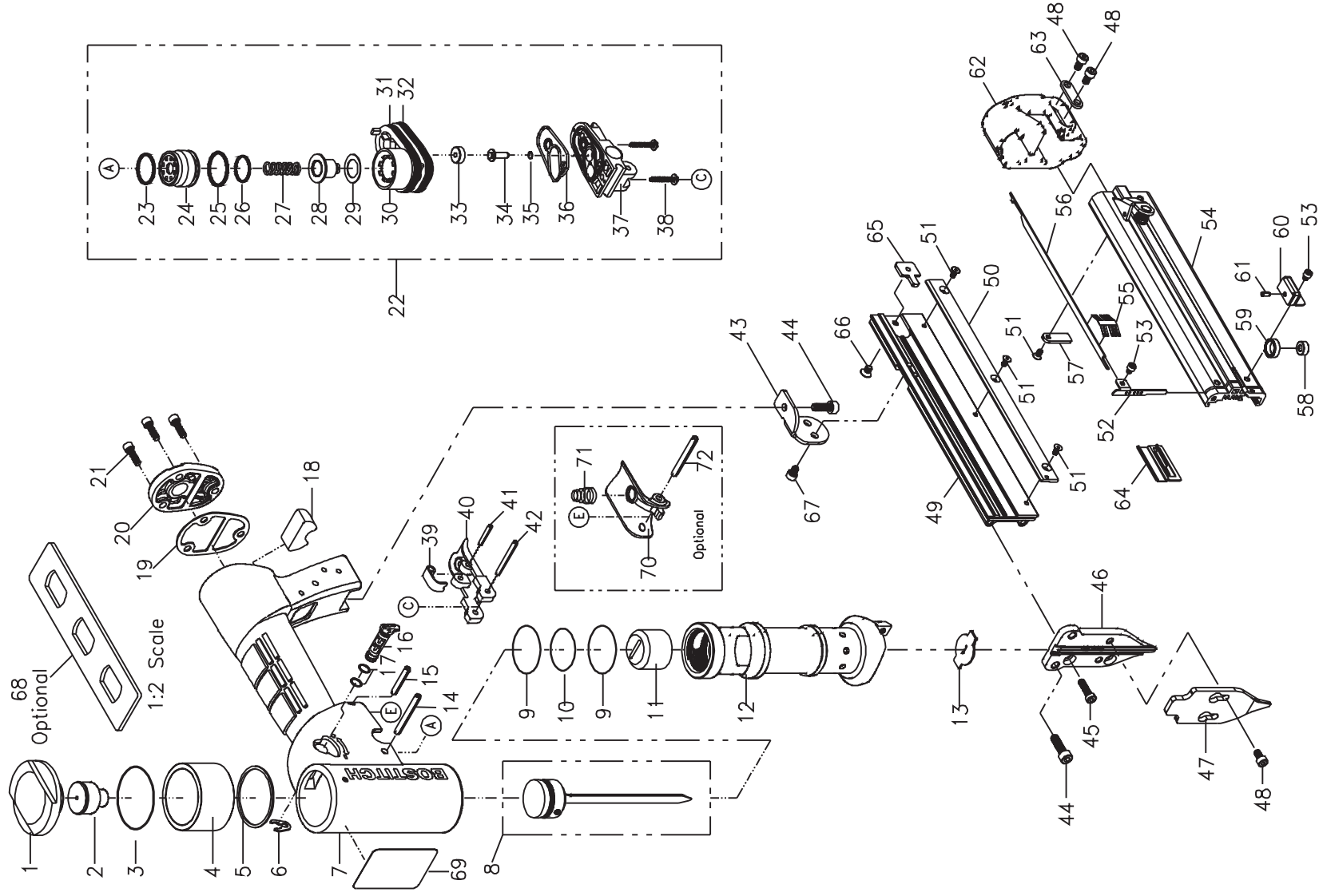
AVANT DE PROCÉDER À LA RÉPARATION DE CET OUTIL, LES OPÉRATEURS DOIVENT ÉTUDIER LA PRÉSENTE ILLUSTRATION AINSI QUE LA LISTE DE PIÈCES ET LE MANUEL D'INSTRUCTIONS ET D'ENTRETIEN ; ILS DOIVENT ÉGALEMENT COMPRENDRE ET OBSERVER LES CONSIGNES DE SÉCURITÉ ET LES INSTRUCTIONS. CONSERVER CETTE ILLUSTRATION AVEC L'OUTIL POUR RÉFÉRENCE FUTURE. SI VOUS AVEZ DES QUESTIONS, COMMUNIQUEZ AVEC VOTRE REPRÉSENTANT OU VOTRE DISTRIBUTEUR DE BOSTITCH.

**BOSTITCH®**  
Stanley Fastening Systems

IP1189-1REVB 9/04

# TU-216-2330

INDUSTRIAL 23 GAUGE PINNER  
CLAVETEADORA INDUSTRIAL DE CALIBRE 23  
CLOUEUR À GOUPILLES INDUSTRIEL CALIBRE 23



Item#	Illus. #	Description
P2145203262	<u>1</u>	CAP
P2860000600	<u>2</u>	BUMPER,PISTON STOP
S06A002700	<u>3</u>	O-RING
P2230000563	<u>4</u>	DEFLECTOR
P2230000600	<u>5</u>	GASKET
P2145201062	<u>6</u>	CLIP
G4212800	<u>7</u>	FRAME UNIT
G0313700	<u>8</u>	DRIVER UNIT
S06A012100	<u>9</u>	O-RING
S06A002200	<u>10</u>	O-RING
P2140001200	<u>11</u>	BUMPER
P2230000163	<u>12</u>	SLEEVE,CYLINDER
P2865200462	<u>13</u>	JOINT GUIDE
S2904030000	<u>14</u>	SPIRAL PIN
S2904018000	<u>15</u>	SPIRAL PIN
P2140000666	<u>16</u>	VALVE,ENERGY CONTROL
S06S000600	<u>17</u>	O-RING
P2140005800	<u>18</u>	MUFFLER
P2140003400	<u>19</u>	GASKET,END CAP
P2140001340	<u>20</u>	CAP,END
S0110414100	<u>21</u>	HEX.SOC.HD.BOLT
G1201300	<u>22</u>	TRIGGER UNIT
S06A001600	<u>23</u>	O-RING
P2142003100	<u>24</u>	HEAD VALVE
S06Z003500	<u>25</u>	O-RING
S06Z003600	<u>26</u>	O-RING
P2145201562	<u>27</u>	SPRNG,HEAD VALVE
P2140000300	<u>28</u>	SEAL,EXHAUST
P2140004200	<u>29</u>	SEAL WASHER
P2140004100	<u>30</u>	HOUSING,HEAD VALVE
S06A012400	<u>31</u>	O-RING
S06A012500	<u>32</u>	O-RING
P2140005400	<u>33</u>	SEAL,TRIGGER STEM
P2142003300	<u>34</u>	STEM
S06A000200	<u>35</u>	O-RING
P2140000766	<u>36</u>	SEAL,VALVE
P2140004066	<u>37</u>	HOUSING,TRIGGER
S1310316100	<u>38</u>	BUTTON CROSS HD SCREW
P2145200462	<u>39</u>	PLATE,TRIGGER
P2180000366	<u>40</u>	TRIGGER
S0803014000	<u>41</u>	SPRING PIN
S0803020000	<u>42</u>	SPRING PIN
P2866300565	<u>43</u>	TAIL HANGER
S0110412100	<u>44</u>	HEX.SOC.HD.BOLT
S0110416300	<u>45</u>	HEX.SOC.HD.BOLT
P2865200262	<u>46</u>	DRIVER GUIDE
P1245201162	<u>47</u>	DRIVER GUIDE COVER A
S0110408100	<u>48</u>	HEX.SOC.HD.BOLT
P1240000163	<u>49</u>	MAGAZINE A
P1245200362	<u>50</u>	NAIL SLIDE GUIDE
S0310306100	<u>51</u>	FLAT HD.SOC.SCREW

P1245200662	<u>52</u>	STOP PLATE A
S0110304100	<u>53</u>	HEX.SOC.HD.BOLT
P2860000700	<u>54</u>	MAGAZINE B UNIT
P1240000800	<u>55</u>	SPRING
P1245200562	<u>56</u>	HOLDING BAR
P1245200762	<u>57</u>	STOP PLATE B
P1245201762	<u>58</u>	BUSHING
P1240001600	<u>59</u>	SPRING
P1246301465	<u>60</u>	SPRING BRACKET
S0803006000	<u>61</u>	SPRING PIN
P2860000100	<u>62</u>	END COVER
P0595203662	<u>63</u>	END COVER PLATE
P1246100457	<u>64</u>	PUSHER
P0645201462	<u>65</u>	REAR PLATE
S0310406100	<u>66</u>	FLAT HD.SOC.SCREW
S0110406100	<u>67</u>	HEX.SOC.HD.BOLT
P2146305665	<u>68</u>	WRENCH (OPTIONAL)
B214002001	<u>69</u>	WARNING LABEL (158577)
P2510000166	<u>70</u>	SECOND TRIGGER
P1115201762	<u>71</u>	SPRING
S0804032000	<u>72</u>	SPRING PIN