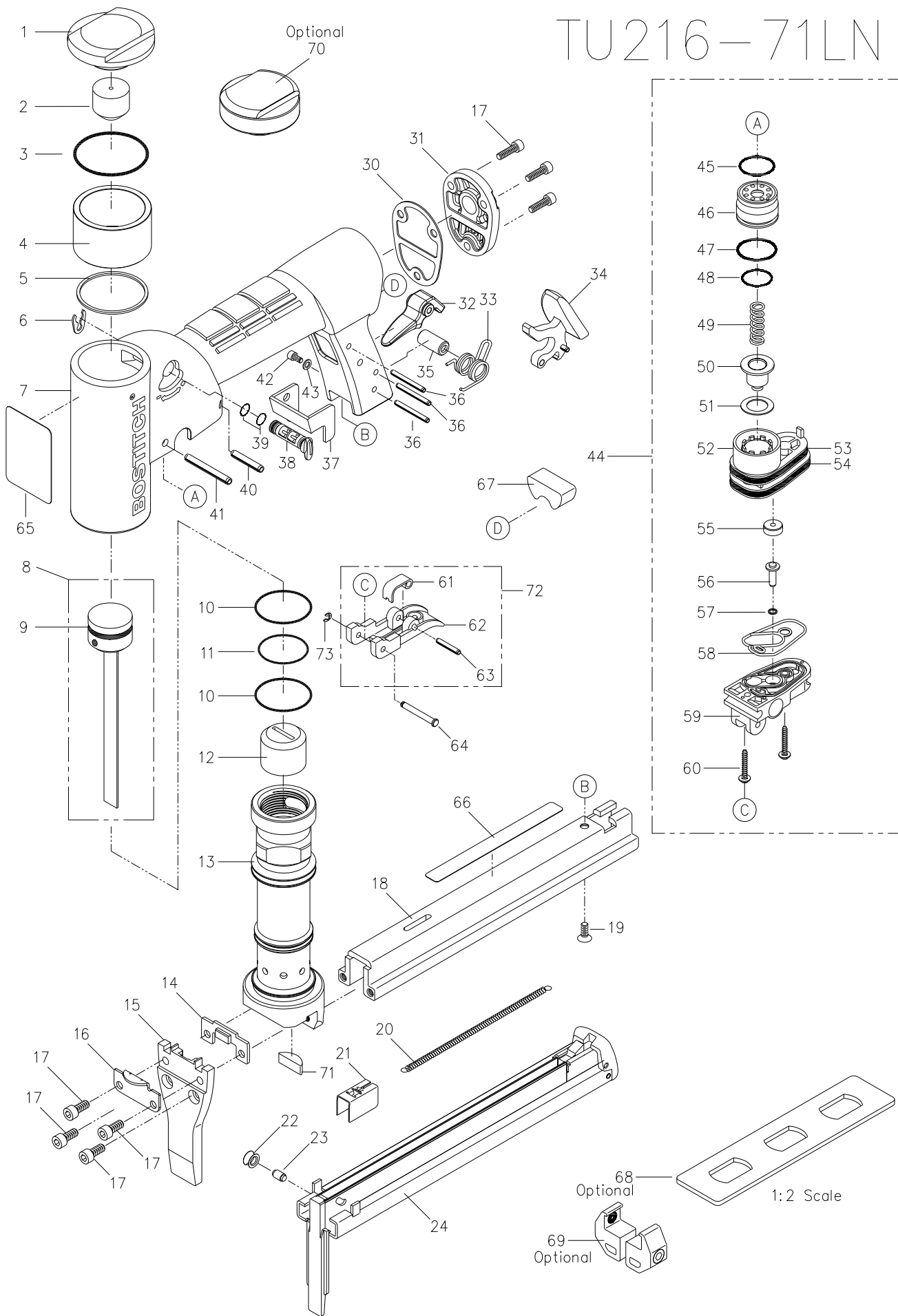


TU216-71LN



Item#	Illus. #	Description
P2145203262	<u>1</u>	CAP
P2140001400	<u>2</u>	BUMPER,PISTON STOP
S06A002700	<u>3</u>	O-RING
P2230000563	<u>4</u>	DEFLECTOR
P2230000600	<u>5</u>	GASKET
P2145201062	<u>6</u>	CLIP
G4212800	<u>7</u>	FRAME UNIT
G0309600	<u>8</u>	DRIVER UNIT
S06P001802	<u>9</u>	O-RING
S06A012100	<u>10</u>	O-RING
S06A002200	<u>11</u>	O-RING
P2140001200	<u>12</u>	BUMPER
P2230000163	<u>13</u>	SLEEVE,CYLINDER
P2146301165	<u>14</u>	PLATE,DRIVER GUIDE
P2236300365	<u>15</u>	NOSE
P2145204362	<u>16</u>	PLATE,NOSE
S0110414100	<u>17</u>	HEX.SOC.HD.BOLT
P2140002263	<u>18</u>	MAGAZINE
S0310414100	<u>19</u>	FLAT HD.SOC.SCREW
P2145202662	<u>20</u>	SPRING,PUSHER
P2146102557	<u>21</u>	PUSHER
P2145202962	<u>22</u>	ROLLER
P2145202862	<u>23</u>	PIN,ROLLER
G2605400	<u>24</u>	ASSY,CORE MAG UNIT,71LN
P2140003400	<u>30</u>	GASKET,END CAP
P2140001340	<u>31</u>	CAP,END
P2140002066	<u>32</u>	LATCH,INSIDE
P2145203062	<u>33</u>	SPRING,TORSION
P2140001966	<u>34</u>	LATCH UNIT ASSY
P2140004666	<u>35</u>	SPRING BUSHER
S3203022000	<u>36</u>	SPIRAL PIN
P2146304465	<u>37</u>	STOP PLATE
P2140000666	<u>38</u>	VALVE,ENERGY CONTROL
S06S000600	<u>39</u>	O-RING
S2904018000	<u>40</u>	SPIRAL PIN
S2904030000	<u>41</u>	SPIRAL PIN
S0110410100	<u>42</u>	HEX.HD.SOC.BOLT
S0410400	<u>43</u>	SPRING WASHER
G1201300	<u>44</u>	TRIGGER UNIT
S06A001600	<u>45</u>	O-RING
P2142003100	<u>46</u>	HEAD VALVE
S06Z003500	<u>47</u>	O-RING
S06Z003600	<u>48</u>	O-RING
P2145201562	<u>49</u>	SPRNG,HEAD VALVE
P2140000300	<u>50</u>	SEAL,EXHAUST
P2140004200	<u>51</u>	SEAL WASHER
P2140004100	<u>52</u>	HOUSING,HEAD VALVE
S06A012400	<u>53</u>	O-RING
S06A012500	<u>54</u>	O-RING
P2140005400	<u>55</u>	SEAL,TRIGGER STEM
P2142003300	<u>56</u>	STEM

S06A000200	<u>57</u>	O-RING
P2140000766	<u>58</u>	SEAL, VALVE
P2140004066	<u>59</u>	HOUSING, TRIGGER
S1310316100	<u>60</u>	BUTTON CROSS HD SCREW
P2145200462	<u>61</u>	PLATE, TRIGGER
P2180000366	<u>62</u>	TRIGGER
S0803014000	<u>63</u>	SPRING PIN
S0803020000	<u>64</u>	SPRING PIN
B214002001	<u>65</u>	WARNING LABEL (158577)
B214011001	<u>66</u>	PRODUCT LABEL (158552)
P2140005800	<u>67</u>	MUFFLER
P2146305665	<u>68</u>	WRENCH (OPTIONAL)
P2140005700	<u>69</u>	GAGE, SKIRT (OPTIONAL)
P2145205962	<u>70</u>	HEAVY CAP
P2140006066	<u>71</u>	BUMPER PLATE
G1301900	<u>72</u>	ASSEMBLY, TRIGGER