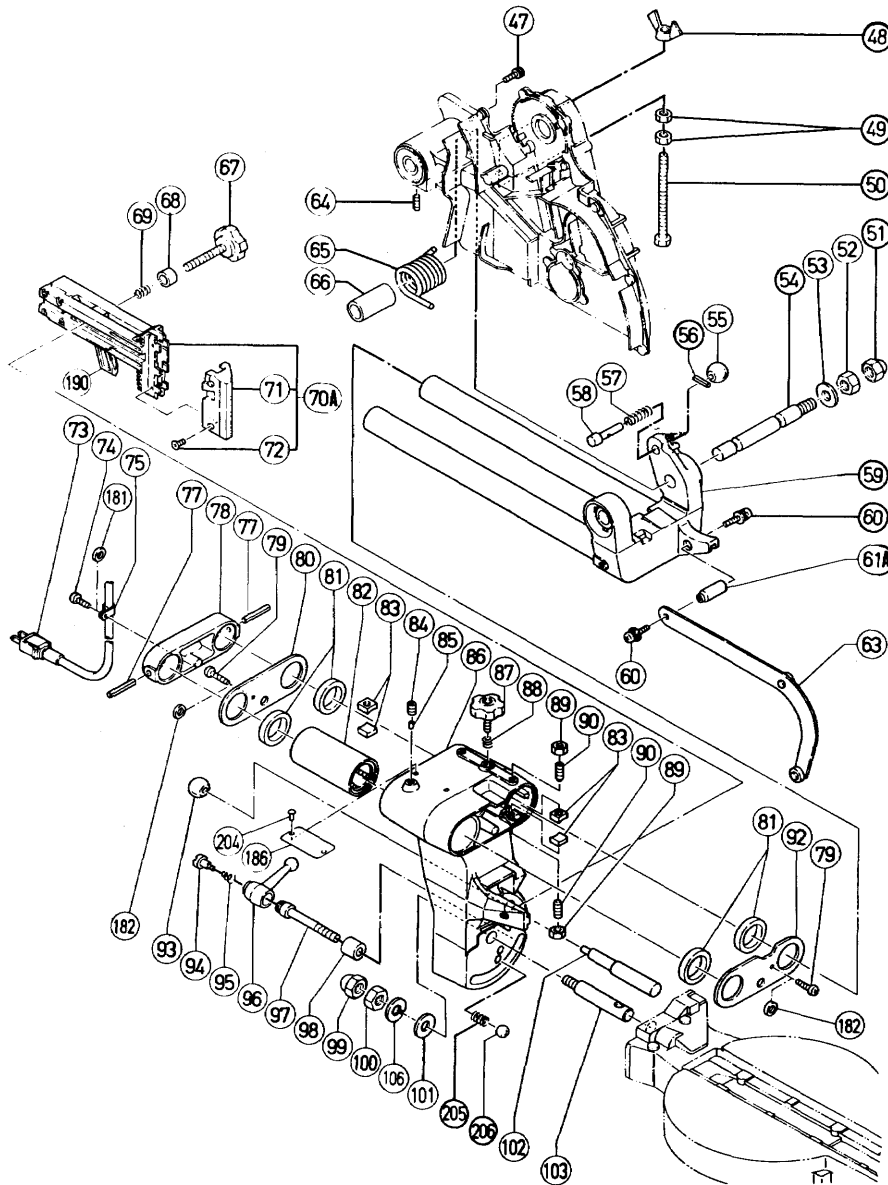
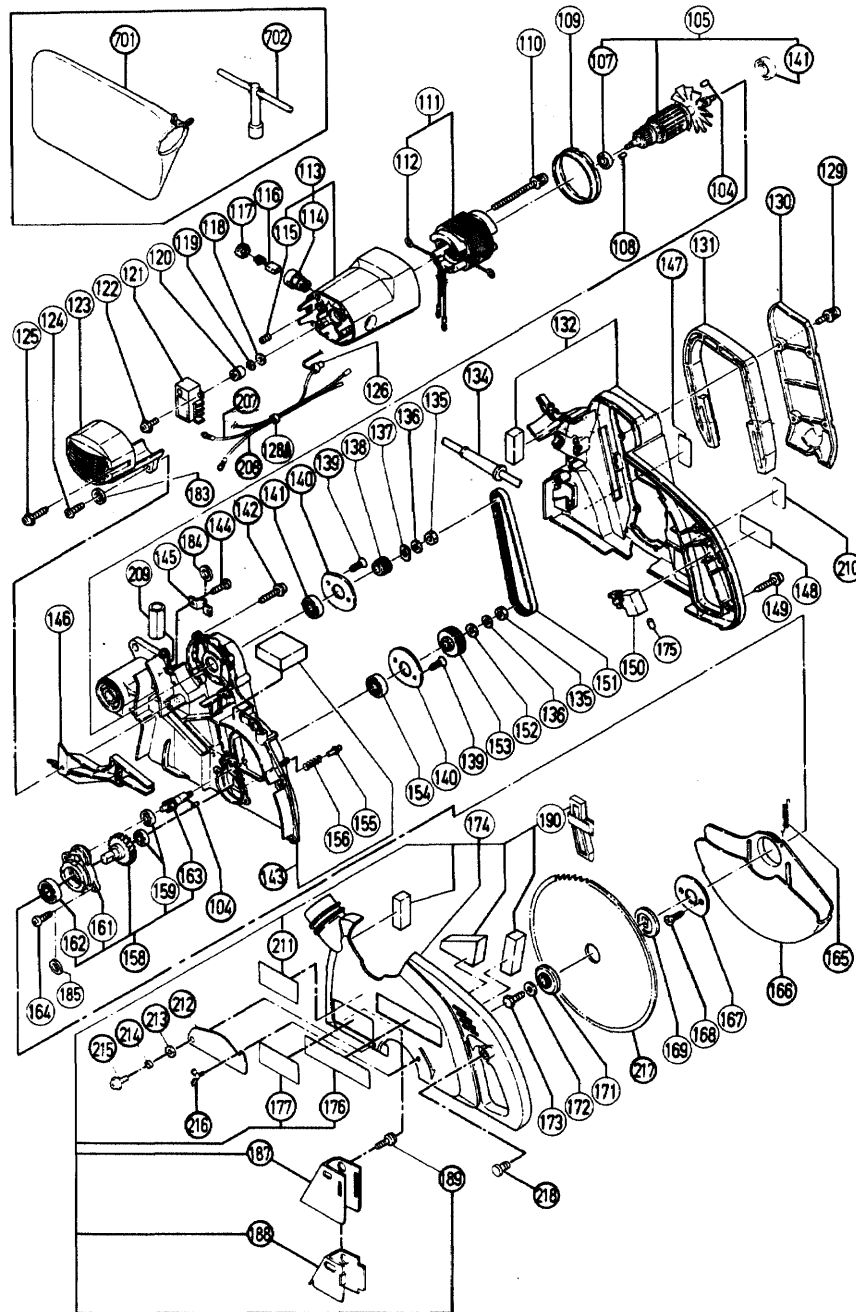


IMPORTANT - To assure product **SAFETY** and **RELIABILITY**, repairs, maintenance or adjustments should be performed by **HITACHI** Service Centers or other qualified service organizations. Always use **HITACHI** replacement parts.

ITEM NO.	PART NO.	NO. USED	DESCRIPTION	SUPPLY QTY	ITEM NO.	PART NO.	NO. USED	DESCRIPTION	SUPPLY QTY
1	949-258	6	MACHINE SCREW M6X20	10	32	949-217	1	MACHINE SCREW M4X12	10
2	998-818	2	TABLE INSERT		33	998-815	1	SHAFT	
3	998-813	1	SHAFT		34	974-577	1	RETAINING RING (E - TYPE) FOR D7 SHAFT	
4	997-314	1	MACHINE SCREW (W/WASHERS) M6X10		35	307-746	1	SIDE HANDLE	
5	307-726	1	INDICATOR		36	967-150	1	SPRING (C)	
6	307-724	2	SEAL LOCK BOLT M6X20 (BLACK)		37	959-153	1	STEEL BALL D12.7	10
7	998-820	1	SLOTTED PIN D8X30		38	998-811	3	LINER	
8	307-817	1	SEAL LOCK BOLT M8X20 (BLACK)		39	308-395	1	FENCE (A)	
19	307-221	4	BOLT (W/WASHERS) M8X35 (BLACK)		44	967-115	1	WASHER (T)	
20	307-220	1	FENCE (B)		45	949-561	1	NUT M12	10
21	998-833	1	KNOB BOLT M10X70		46	949-574	1	LOCK NUT M12	10
22	310-861	1	BASE ASS'Y INCLUD.23,24,26,27,178 FOR USA		47	949-819	1	HEX. SOCKET HD. BOLT M5X10	10
23	949-813	1	BOLT M6X16	10	48	949-312	1	WING NUT M8	10
24	998-844	1	HOLDER		49	949-558	2	NUT M8	10
26	964-851	5	BASE RUBBER		50	952-013	1	BOLT M8X100	
27	949-241	5	MACHINE SCREW M5X20	10	51	998-821	1	CAP NUT M12	
28	949-215	1	MACHINE SCREW M4X8	10	52	949-561	1	NUT M12	10
29	977-587	1	INDICATOR		53	949-437	1	BOLT WASHER M12	10
30	310-862	1	TURN TABLE FOR USA		54	998-235	1	HINGE SHAFT	
31	998-814	1	SPACER		55	967-896	1	GRIP	



ITEM NO.	PART NO.	NO. USED	DESCRIPTION	SUPPLY Q'TY	ITEM NO.	PART NO.	NO. USED	DESCRIPTION	SUPPLY Q'TY
56	949-53	1	ROLL PIN D3X25	10	75	948-193	1	NYLON CLIP	
57	948-363	1	GAUGE SPRING		77	949-686	1	ROLL PIN D6X40	10
58	988-674	1	SET PIN		78	307-222	1	SUPPORT FOR USA	
59	307-747	1	HINGE		79	949-217	2	MACHINE SCREW M4X12	10
60	990-541	2	MACHINE SCREW (W/WASHERS) M5X16		80	310-863	1	PACKING COVER (C) FOR USA	
61A	309-990	1	SHAFT (B)		81	998-226	4	FELT	
63	307-729	1	LINK		82	998-825	1	BALL BUSHING	
64	986-481	1	HEX. SOCKET SET SCREW M8X16		83	986-223	4	BUSHING	
65	998-234	1	SPRING		84	986-458	1	HEX. SOCKET SET SCREW M8X8	
66	998-276	1	SLEEVE		85	978-301	1	BEARING LOCK	
68	310-653	1	SLEEVE FOR USA		86	310-864	1	HOLDER (A) FOR USA	
67	303-408	1	KNOB BOLT M8X60		87	998-225	1	KNOB BOLT M8X20	
68	303-404	1	SLEEVE		88	998-224	1	LOCK SPRING	
69	873-923	1	GOVERNOR SPRING		89	949-568	4	LOCK NUT M8	10
70A	310-186	1	GUARD ASS'Y INCLUD.71.72		90	974-500	4	HEX. SOCKET SET SCREW M8X16	
71	303-403	1	GUARD (C)		92	310-865	1	PACKING COVER (B) FOR USA	
72	998-850	4	FLAT HD. SCREW (BRASS) M4X6		93	967-896	1	GRIP	
73	500-407Z	1	CORD FOR USA		94	305-180	1	CLUTCH SCREW	
74	949-217	1	MACHINE SCREW M4X12	10	95	305-179	1	CLUTCH SPRING	
					96	998-219	1	CLAMP LEVER	



ITEM NO.	PART NO.	NO. USED	DESCRIPTION	SUPPLY Q'TY	ITEM NO.	PART NO.	NO. USED	DESCRIPTION	SUPPLY Q'TY
97	307-725	1	BOLT (LEFT HAND) M10		112	975-884	2	BRUSH TERMINAL	
98	302-506	1	COLLAR		113	308-783	1	HOUSING ASS'Y INCLUD.114,115	
99	998-821	1	CAP NUT M12		114	996-270	2	BRUSH HOLDER	
100	949-574	1	LOCK NUT M12	10	115	986-426	2	HEX. SOCKET SET SCREW M5X6	
101	949-437	1	BOLT WASHER M12	10	116	999-043	2	CARBON BRUSH 1	
102	307-727	1	SET PIN (A)		117	996-259	2	BRUSH CAP	
103	998-819	1	HOLDER SHAFT		118	949-432	2	BOLT WASHER M6	10
104	931-008	2	FEATHER KEY 4X4X12		119	307-735	1	SUPER LOCK WASHER	
105	360-339U	1	ARMATURE ASS'Y 115V INCLUD.107,141		120	307-743	1	MAGNET	
108	949-463	1	SPRING WASHER M12	10	121	310-742	1	CONTROLLER FOR USA	
107	608-VVM	1	BALL BEARING 608VVMC2EPS2L		122	995-062	2	TAPPING SCREW (W/WASHER) D4X16	
108	976-441	1	BEARING LOCK		123	307-733	1	TAIL COVER	
109	996-253	1	FAN GUIDE (B)		124	949-241	1	MACHINE SCREW M5X20	10
110	307-745	2	TAPPING SCREW (W/SP. WASHER) D5X60		125	304-035	2	TAPPING SCREW (W/FLANGE) D4X25 (BLACK)	
111	340-323C	1	STATOR ASS'Y 115V INCLUD.112		128	959-141	2	CONNECTOR 50092	10
					128A	975-144	2	CABLE TIE SINCE 3.1995	

HITACHI

SLIDE COMPOUND SAW

Model C 10FS

ITEM NO.	PART NO.	NO. USED	DESCRIPTION	SUPPLY Q'TY	ITEM NO.	PART NO.	NO. USED	DESCRIPTION	SUPPLY Q'TY
129	995-096	4	MACHINE SCREW (W/WASHERS) M5X20		190		1	GUIDE	
130	308-790	1	PULLEY COVER		191	310-880	1	VICE ASS'Y INCLUD.192 - 201 FOR USA	
131	307-740	1	HANDLE		192	998-832	1	LABEL (A) FOR USA	
132	308-784	1	SIDE COVER (R)		193	998-263	1	KNOB FOR USA	
134	994-565	1	CORD ARMOR D10.1		194	949-548	1	ROLL PIN D4X25 FOR USA	10
135	949-558	2	NUT M8	10	195	998-830	1	SCREW FOR USA	
136	978-559	2	SUPER LOCK WASHE		196	996-281	1	HEX. SOCKET SET SCREW M6X16 FOR USA	
137	307-744	1	SPECIAL WASHE		197	301-850	1	SCREW HOLDER FOR USA	
138	307-737	1	PULLEY (A)		198	949-434	1	BOLT WASHER M10 FOR USA	10
139	949-322	4	FLAT HD. SCREW M4X10	10	199	996-261	1	VICE PLATE FOR USA	
140	307-731	2	COVE		200	997-314	1	MACHINE SCREW (W/WASHERS) M6X10 FOR USA	
141	620-1VV	1	BALL BEARING 6201VVCMP52		201	307-755	1	VICE SHAFT FOR USA	
142	305-558	4	TAPPING SCREW (W/FLANGE) D5X25 (BLACK)		202	310-881	1	SLIDE FENCE ASS'Y INCLUD.203 FOR USA	
143	307-758	1	GEAR CAS		203	310-658	1	SCREW FOR USA	
144	949-215	2	MACHINE SCREW M4X8	10	204	949-509	2	RIVET D2.5X3.2 FOR USA,NZL	10
145	934-028	1	CORD CLIP		205	310-882	2	SPRING (A) FOR USA	
146	307-734	1	CORD COVER		206	959-152	2	STEEL BALL D9.53 FOR USA	10
147	310-866	1	CAUTION LABEL FOR USA		207	310-883	1	INTERNAL WIRE (WHITE) FOR USA	
148	310-867	1	NAME PLATE FOR USA		208	310-877	1	INTERNAL WIRE (BLUE) FOR USA	
149	304-035	7	TAPPING SCREW (W/FLANGE) D4X25 (BLACK)		209		1	VINYL TUBE (A) I.D.9.5XT0.7X20 FOR USA	
150	998-839	1	SWITCH (1P PILLAR TYPE) W/LOCK FOR USA		210	310-879	1	WARNING LABEL (B) FOR USA	
151	307-736	1	BELT (170H10)		211	310-871	1	CAUTION LABEL (E) FOR USA	
152	949-433	1	BOLT WASHER M8	10	212	310-148	1	SPINDLE COVER FOR USA	
153	307-738	1	PULLEY (B)		213	949-429	1	BOLT WASHER M4 FOR USA	10
154	620-1VV	1	BALL BEARING 6201VVCMP52S		214	998-980	1	SPACER FOR USA	
155	307-732	1	STOPPER PIN		215	305-812	1	TAPPING SCREW (W/FLANGE) D4X16 FOR USA	
156	998-821	1	LOCK SPRING		216	949-396	1	WING BOLT M5X8 FOR USA	10
158	308-787	1	SPINDLE ASS'Y INCLUD. 159,161 - 163		217	310-878	1	TCT SAW BLADE 255MM - D15.88 HOLE - NT40 FOR USA	
159	608-VVM	2	BALL BEARING 608VVMC2EPS2L		218	951-895	1	LOCK OFF BUTTON FOR USA	
161	308-788	1	BEARING HOLDER		701	998-845	1	DUST BAG	
162	600-3VV	1	BALL BEARING 6003VVCMP52S		702	940-543	1	BOX WRENCH 10MM	
163		1	PINION		904	998-866	1	GUIDE ASS INCLUD.905 - 908 FOR USA	
164	949-241	2	MACHINE SCREW M5X20	10	905	998-834	2	HOLDER FOR USA	
165	307-739	1	RETURN SPRING		906	998-835	1	STOPPER FOR USA	
166	307-730	1	SAFETY COVER		907	998-836	1	KNOB BOLT M6X11 FOR USA	
167	307-731	1	COVER		908	998-843	2	KNOB BOLT M6X52 FOR USA	
198	949-322	2	FLAT HD. SCREW M4X10	10	909	308-394	1	VICE (A) ASS'Y INCLUD.910 - 917 FOR USA	
169	308-789	1	WASHER (D)		910	308-396	1	KNOB BOLT M10 FOR USA	
171	998-838	1	WASHER (C)		911	998-836	1	KNOB BOLT M6X11 FOR USA	
172	996-257	1	WASHER		912		1	SCREW HOLDER FOR USA	
173	996-258	1	BOLT (LEFT HAND) M7X17.5		913	308-398	1	COLLAR FOR USA	
174	310-868	1	SIDE COVER (L) ASS'Y INCLUD.176,177,187 - 190 FOR USA		914	996-261	1	VICE PLATE FOR USA	
175	988-894	2	TUBE (D)		915	996-722	1	WASHER FOR USA	
176	310-869	1	HITACHI LABEL FOR USA		916	949-819	1	HEX. SOCKET HD. BOLT M5X10 FOR USA	10
177	310-870	1	WARNING LABEL (A) FOR USA		917	308-399	1	VICE SHAFT FOR USA	
178	949-431	5	BOLT WASHER M5	10					
179	949-429	1	BOLT WASHER M4	10					
180	949-429	1	BOLT WASHER M4	10					
181	949-429	1	BOLT WASHER M4	10					
182	949-429	2	BOLT WASHER M4	10					
183	949-431	1	BOLT WASHER M5	10					
184	949-429	2	BOLT WASHER M4	10					
185	949-431	2	BOLT WASHER M5	10					
186	310-872	1	CAUTION PLATE (A) FOR USA						
187	310-183	1	DUST GUIDE						
188	310-184	1	GUIDE HOLDER						
189	305-812	1	TAPPING SCREW (W/FLANGE) D4X16						