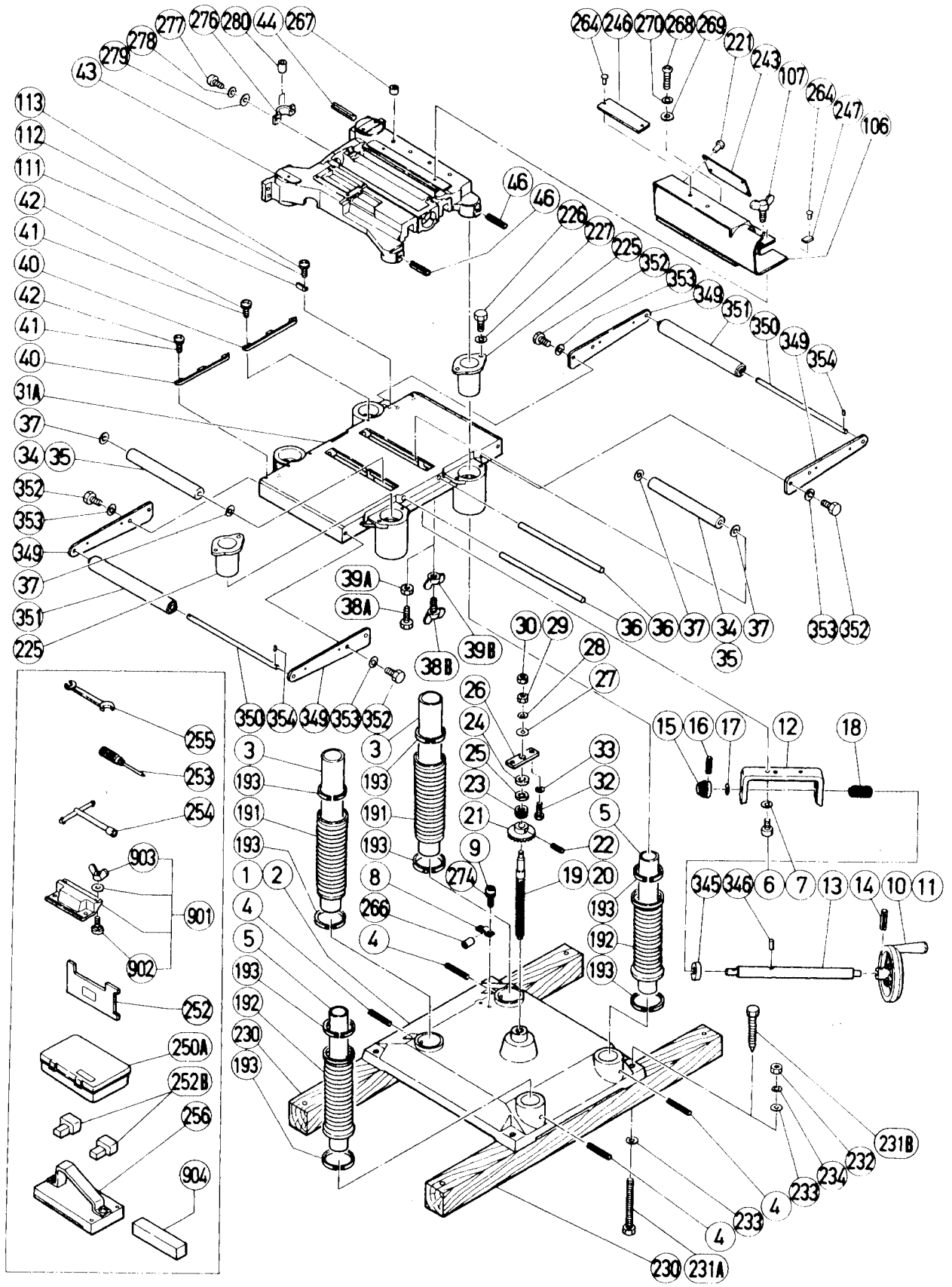


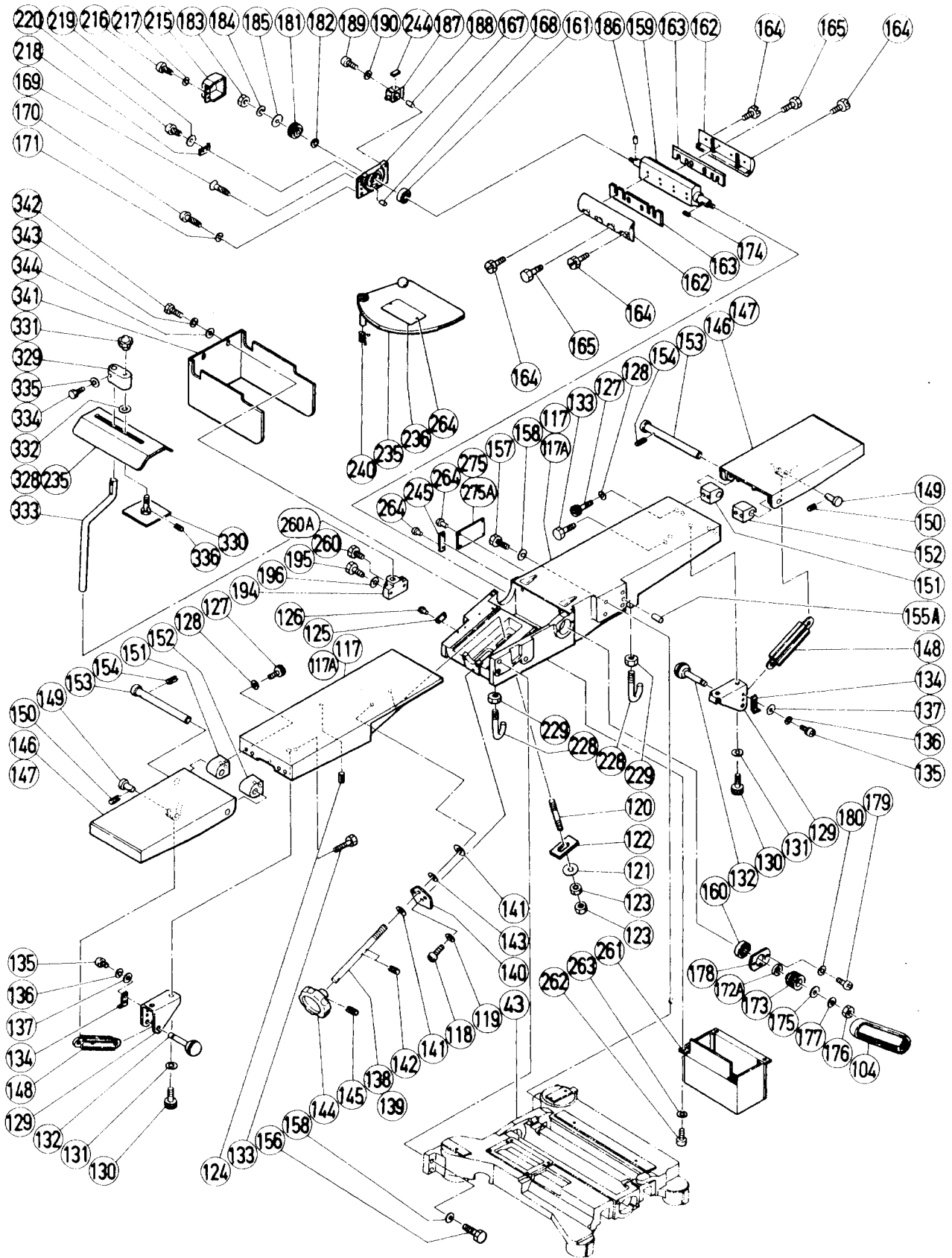
## ELECTRIC TOOL PARTS LIST

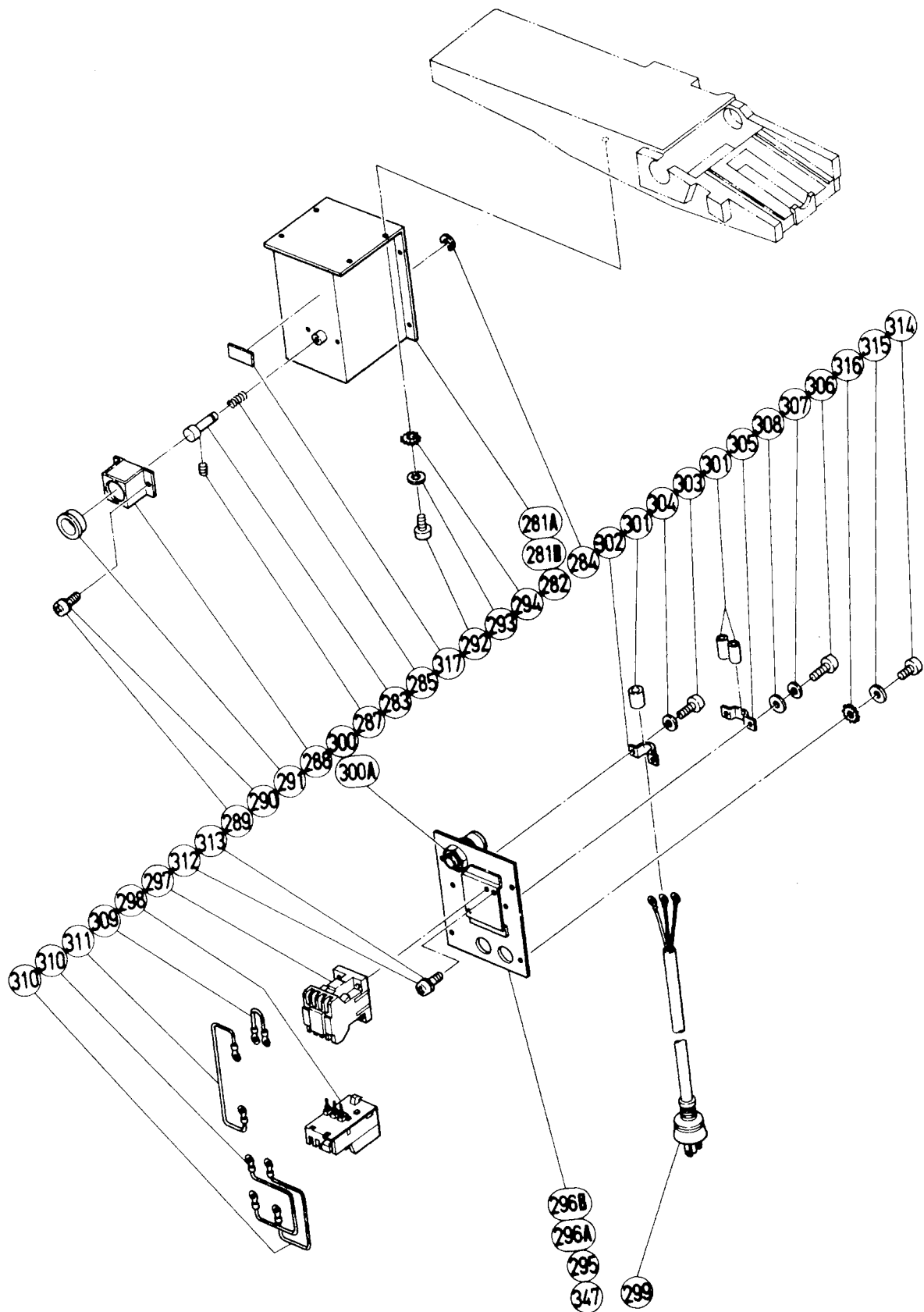
■ PLANER JOINTER  
Model F-1000A

1996 · 6 · 14  
(E5)









**PARTS**

F - 1000A

ITEM NO.	CODE NO.	DESCRIPTION	NO. USED	REMARKS
141	976-244	WASHER M12	2	
142	949-870	ROLL PIN D4X22 (10 PCS.)	2	
143	988-888	THRUST WASHER	1	
144		KNOB	1	
145	949-548	ROLL PIN D4X25 (10 PCS.)	1	
146	973-828	EXTENSION BASE ASS'Y	2	INCLUD.147 - 154
147		EXTENSION BASE	2	
148		LINK	2	
149	972-028	PIN (A)	2	
150	949-548	ROLL PIN D4X25 (10 PCS.)	2	
151	973-829	BASE HOLDER	2	
152	973-830	BASE HOLDER	2	
153	973-831	PIN (B)	2	
154	949-604	ROLL PIN D5X28 (10 PCS.)	2	
155A	986-729	PIN D8X24	1	
156	949-698	BOLT M10X30 (10 PCS.)	2	
157	949-643	BOLT M10X40 (10 PCS.)	5	
158	949-458	SPRING WASHER M10 (10 PCS.)	7	
159	973-848	CUTTER BLOCK (B) ASS'Y	1	INCLUD.160,161,167
160	620-2VV	BALL BEARING 6202VVCMP2S	1	
161	620-1VV	BALL BEARING 6201VVCMP2S	1	
162	947-524	BLADE HOLDER ASS'Y (1 PAIR)	2	
163	879-208	PLANER BLADES 160MM (1 PAIR)	2	
164	976-755	BOLT (10 PCS.)	4	
165	976-754	BOLT (10 PCS.)	4	
167	972-031	BEARING HOLDER (B) ASS'Y	1	INCLUD.168
168	976-301	BEARING LOCK	1	
169	949-332	FLAT HD. SCREW M5X12 (10 PCS.)	1	
170	949-237	MACHINE SCREW M5X12 (10 PCS.)	3	
171	949-454	SPRING WASHER M5 (10 PCS.)	3	
172A	967-823	WASHER (B)	1	
173	973-849	PULLEY (C)	1	
174	931-008	FEATHER KEY 4X4X12	1	
175	949-433	BOLT WASHER M8 (10 PCS.)	1	
176	949-568	LOCK NUT M8 (10 PCS.)	1	
177	949-457	SPRING WASHER M8 (10 PCS.)	1	
178	947-598	BEARING CAP (B)	1	
179	949-216	MACHINE SCREW M4X10 (10 PCS.)	2	
180	949-453	SPRING WASHER M4 (10 PCS.)	2	
181	973-832	LOCK RING (C)	1	
182	947-598	DISTANCE SLEEVE	1	
183	947-530	NUT (LEFT HAND) M8	1	
184	949-457	SPRING WASHER M8 (10 PCS.)	1	
185	949-433	BOLT WASHER M8 (10 PCS.)	1	
186	949-786	PIN D3X8 (10 PCS.)	1	
187	946-345	LOCK	1	
188	949-473	PIN D3X8 (10 PCS.)	2	
189	949-220	MACHINE SCREW M4X18 (10 PCS.)	2	
190	949-453	SPRING WASHER M4 (10 PCS.)	2	
191	973-833	BELLOWS	2	
192	973-834	BELLOWS (A)	2	

\*: ALTERNATIVE PARTS

## PARTS

F - 1000A

ITEM NO.	CODE NO.	DESCRIPTION	NO. USED	REMARKS	
193	973-835	HOSE BAND	8		
194	967-740	COVER HOLDER (A)	1	TILL 8.1981	
195	949-607	BOLT M6X30 (10 PCS.)	2	TILL 8.1981	
196	949-455	SPRING WASHER M6 (10 PCS.)	2	TILL 8.1981	
197A	973-836	GUIDE SCREW	1		
197B	976-288	GUIDE SCREW	1		
198	972-256	SPECIAL WASHER	1		
199	972-034	GUIDE HOLDER	1		
200	949-256	MACHINE SCREW M6X16 (10 PCS.)	2		
201	949-455	SPRING WASHER M6 (10 PCS.)	2		
*	202	973-837	GUIDE ASS'Y	1	INCLUD.203 - 210
*	202	973-915	GUIDE ASS'Y	1	INCLUD.203 - 210 FOR NZL,CAN,USA
	203		GUIDE	1	
	204	972-033	GUIDE ARM (A)	2	
	205	949-355	FLAT HD. SCREW M6X12 (10 PCS.)	4	
*	206	972-035	GUIDE SHAFT	1	
*	206	973-914	GUIDE SHAFT	1	FOR NZL,CAN,USA
*	207	976-287	GUIDE HOLDER (C)	1	
*	207	973-917	GUIDE HOLDER (D)	1	FOR NZL,CAN,USA
	208	967-594	HIGH TENSION BOLT M8X25	2	
	209	949-457	SPRING WASHER M8 (10 PCS.)	2	
	210	949-433	BOLT WASHER M8 (10 PCS.)	2	
	211	972-059Z	TENSIONER ASS'Y	1	
	212	972-060	ARM SPRING	2	
	213	972-061Z	PIECE	1	
	214	940-391	WASHER	1	
	215	972-039	NUT COVER	1	
	216	949-214	MACHINE SCREW M4X6 (10 PCS.)	2	
	217	949-453	SPRING WASHER M4 (10 PCS.)	2	
	218	972-040	STOP PIECE	1	
	219	949-429	BOLT WASHER M4 (10 PCS.)	2	
	220	949-216	MACHINE SCREW M4X10 (10 PCS.)	2	
	221	949-510	RIVET D2.5X4.8 (10 PCS.)	4	
*	222	972-045	BELT COVER	1	
*	222	973-916	BELT COVER (A)	1	FOR NZL,CAN,USA
*	223	949-236	MACHINE SCREW M5X10 (10 PCS.)	2	
	224	949-454	SPRING WASHER M5 (10 PCS.)	2	
	225	973-838	BUSHING	2	
	226	949-676	BOLT M6X20 (10 PCS.)	4	
	227	949-455	SPRING WASHER M6 (10 PCS.)	4	
*	228	972-615	HOOK	2	EXCEPT FOR CAN
	229	949-560	NUT M10 (10 PCS.)	2	
	230		FEET	1	
	231A	973-839	BOLT W3/8X100	4	TILL 9.1981
	231B	973-854	SPECIAL SCREW W3/8X75	4	SINCE 10.1981
	232	949-559	NUT W3/8 (10 PCS.)	4	TILL 9.1981
	233	976-351	WASHER W3/8	8	TILL 9.1981
	234	949-458	SPRING WASHER M10 (10 PCS.)	4	TILL 9.1981
*	235	973-843Z	SAFETY COVER ASS'Y	1	INCLUD.240
*	235	973-858Z	SAFETY COVER ASS'Y	1	INCLUD.240 FOR USA
*	235	973-911	JOINTER GUARD ASS'Y	1	INCLUD.328 - 336 FOR NZL

\*: ALTERNATIVE PARTS

## PARTS

F - 1000A

ITEM NO.	CODE NO.	DESCRIPTION	NO. USED	REMARKS
*	236	CAUTION PLATE (S)	1	FOR USA
	240	947-603 SPRING (B)	1	
*	242	MOTOR F1000 - M	1	
*	243	NAME PLATE	1	
*	244	CAUTION LABEL	2	
*	245	CAUTION PLATE	2	
*	246	CAUTION PLATE	1	
*	247	CAUTION PLATE (X)	1	FOR USA
*	248	CAUTION PLATE	1	
	250A	978-297 TOOL BOX (B)	1	
	252	973-845Z BLADE HEIGHT - ADJUSTING RULER (A)	1	TILL 3.1981
	252B	973-852 SETTING GAUGE (A)	2	SINCE 4.1981
	253	945-882 SCREWDRIVER NO. 2	1	
	254	967-746 BOX WRENCH 10MM	1	
	255	972-043 WRENCH 10/13MM	1	
*	256	973-859Z PUSHING BLOCK	1	FOR USA
*	260	949-622 BOLT M8X16 (10 PCS.)	1	
*	260A	966-509 KNOB BOLT M8X15	1	FOR NZL
*	261	973-860Z SHOOT	1	TILL 11.1983 FOR USA
*	262	949-236 MACHINE SCREW M5X10 (10 PCS.)	4	TILL 11.1983 FOR USA
*	263	949-454 SPRING WASHER M5 (10 PCS.)	4	TILL 11.1983 FOR USA
*	264	949-510 RIVET D2.5X4.8 (10 PCS.)	18	FOR USA
*	266	VINYL TUBE (I.D.9.5XT0.7X20)	1	FOR USA,NZL
*	267	975-702Z SPACER	4	FOR USA
*	268	949-243 MACHINE SCREW M5X25 (10 PCS.)	4	FOR USA
*	269	967-329 WASHER (H)	4	FOR USA
*	270	949-454 SPRING WASHER M5 (10 PCS.)	4	FOR USA
*	272	975-685Z SPROCKET (D)	1	FOR USA
*	273	CAUTION PLATE (R)	1	FOR USA
	274	949-453 SPRING WASHER M4 (10 PCS.)	2	
*	275	CAUTION PLATE (T)	1	TILL 4.1993 FOR USA
*	275A	CAUTION PLATE (Z)	1	SINCE 5.1993 FOR USA
*	276	932-479 CORD CLIP	1	FOR CAN
*	277	949-238 MACHINE SCREW M5X10 (10 PCS.)	2	FOR CAN
*	278	949-454 SPRING WASHER M5 (10 PCS.)	2	FOR CAN
*	279	949-431 BOLT WASHER M5 (10 PCS.)	2	FOR CAN
*	280	VINYL TUBE (I.D.9.5XT0.7X20)	2	FOR CAN
*	281A	973-873 CONTROL BOX ASS'Y	1	INCLUD.282 - 291 TILL 8.1983 FOR CAN
*	281B	973-938 CONTROL BOX ASS'Y	1	INCLUD.282 - 291 SINCE 9.1983 FOR CAN
*	282	CONTROL BOX	1	FOR CAN
*	283	973-940 RESET SHAFT (A)	1	FOR CAN
*	284	968-843 RETAINING RING (E - TYPE) FOR D4 SHAFT	1	FOR CAN
*	285	973-875 SPRING	1	FOR CAN
*	287	973-877 HEX. SOCKET SET SCREW M4X4	1	TILL 6.1984 FOR CAN
*	288	973-878 BUTTON COVER	1	FOR CAN
*	289	949-216 MACHINE SCREW M4X10 (10 PCS.)	2	FOR CAN
*	290	949-453 SPRING WASHER M4 (10 PCS.)	2	FOR CAN
*	291	973-908 ONE - TOUCH BUSHING	1	FOR CAN
*	292	949-236 MACHINE SCREW M5X10 (10 PCS.)	4	FOR CAN
*	293	949-454 SPRING WASHER M5 (10 PCS.)	4	FOR CAN
*	294	973-879 TOOTHED LOCK WASHER M5	4	FOR CAN

\*: ALTERNATIVE PARTS

## PARTS

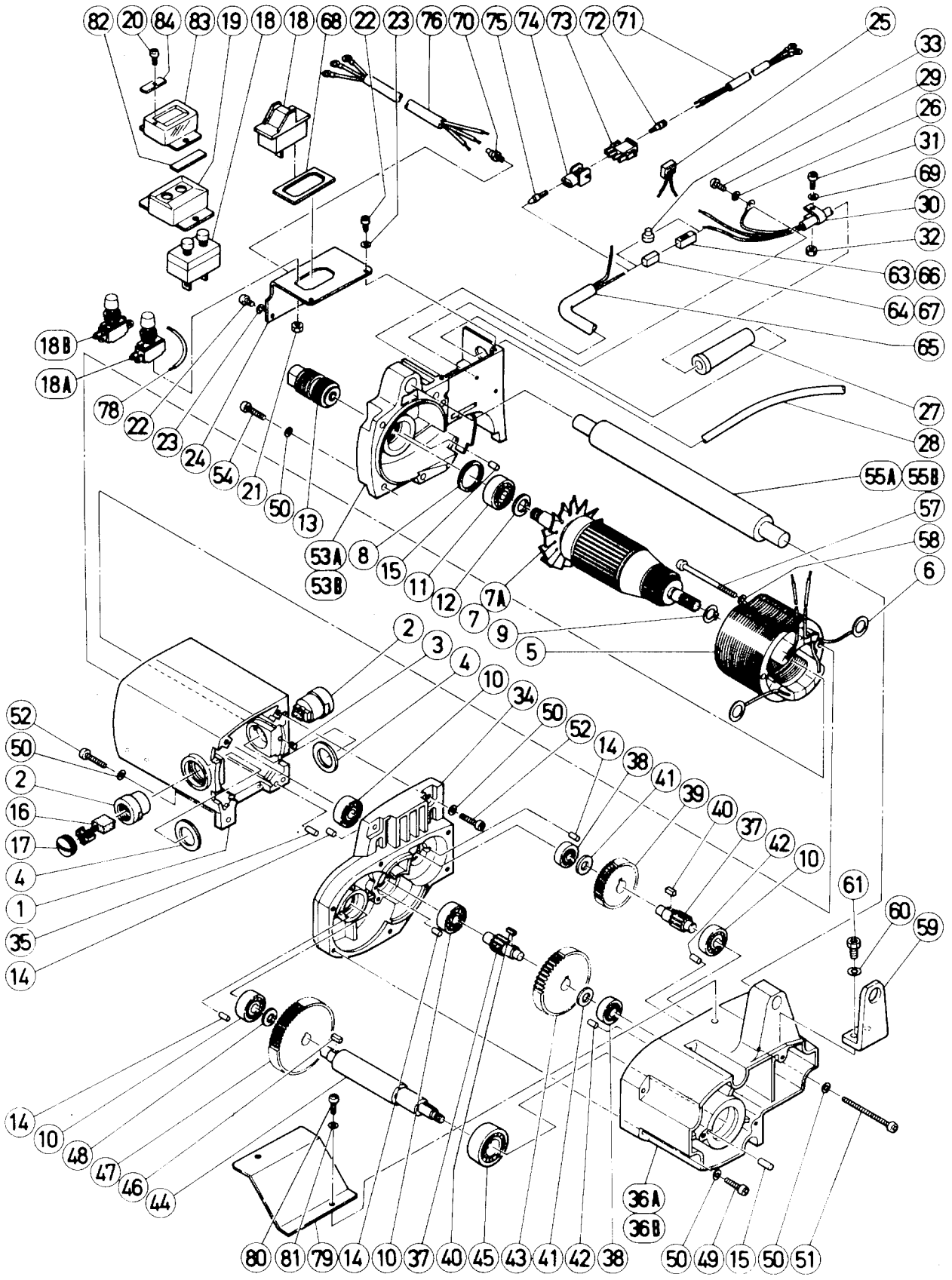
F - 1000A

ITEM NO.	CODE NO.	DESCRIPTION	NO. USED	REMARKS
* 295	973-900	CONTROLLER ASS'Y	1	INCLUD.296B -- 313 TILL 9.1983 FOR CAN 115V
* 295	973-936	CONTROLLER ASS'Y	1	INCLUD.296A,297 -- 313 FOR CAN 230V
* 296A	973-901	CONTROL BASE	1	TILL 8.1983 FOR CAN 115V
* 296A	973-946	CONTROL BASE	1	FOR CAN 230V
* 296B	973-937	CONTROL BASE	1	SINCE 9.1983 FOR CAN 115V
* 297	973-902	CONTACTOR	1	SINCE 9.1983 FOR CAN 115V
* 297	977-624	CONTACTOR	1	FOR CAN 230V
* 298	973-903	THERMAL RELAY	1	FOR CAN 115V
* 298	973-933	THERMAL RELAY	1	FOR CAN 230V
* 299	973-904Z	CORD	1	FOR CAN 115V
* 299	973-935	CORD	1	FOR CAN 230V
* 300	974-265	CORD LOCK (NC - 1)	3	FOR CAN 115V
* 300A	974-265	CORD LOCK (NC - 1)	2	FOR CAN 230V
* 301		VINYL TUBE (I.D.9.5XT0.7X20)	3	FOR CAN
* 302	934-028	CORD CLIP	1	FOR CAN
* 303	949-216	MACHINE SCREW M4X10 (10 PCS.)	2	FOR CAN
* 304	949-453	SPRING WASHER M4 (10 PCS.)	2	FOR CAN
* 305	932-479	CORD CLIP	1	FOR CAN
* 306	949-236	MACHINE SCREW M5X10 (10 PCS.)	2	FOR CAN
* 307	949-454	SPRING WASHER M5 (10 PCS.)	2	FOR CAN
* 308	949-431	BOLT WASHER M5 (10 PCS.)	2	FOR CAN
* 309	973-905	INTERNAL WIRE	1	FOR CAN
* 310	973-906	INTERNAL WIRE	2	FOR CAN
* 311	973-907	INTERNAL WIRE	1	FOR CAN
* 312	949-236	MACHINE SCREW M5X10 (10 PCS.)	1	FOR CAN
* 313	949-454	SPRING WASHER M5 (10 PCS.)	1	FOR CAN
* 314	949-236	MACHINE SCREW M5X10 (10 PCS.)	4	FOR CAN
* 315	949-454	SPRING WASHER M5 (10 PCS.)	4	FOR CAN
* 316	973-879	TOOTHED LOCK WASHER M5	4	FOR CAN
* 317		CAUTION PLATE (Z)	1	FOR CAN
* 318	973-912	STOPPER ASS'Y	1	INCLUD.319 -- 326 FOR NZL
* 319		STOPPER HOLDER	1	FOR NZL
* 320		STOPPER SHAFT	1	FOR NZL
* 321		STOPPER	30	FOR NZL
* 322	949-437	BOLT WASHER M12 (10 PCS.)	60	FOR NZL
* 323		HEXAGON SOCKET SET SCREW M6X10	1	FOR NZL
* 324	949-626	BOLT M8X25 (10 PCS.)	2	FOR NZL
* 325	949-457	SPRING WASHER M8 (10 PCS.)	2	FOR NZL
* 326	949-426	WASHER M8 (10 PCS.)	2	FOR NZL
* 327	949-568	LOCK NUT M8 (10 PCS.)	2	FOR NZL
* 328		BRIDGE GUARD	1	FOR NZL
* 329		GUARD HOLDER	1	FOR NZL
* 330		SPECIAL BOLT M6	1	FOR NZL
* 331		KNOB NUT M6	1	FOR NZL
* 332		WASHER (H)	2	FOR NZL
* 333		GUARD SHAFT	1	FOR NZL
* 334	949-676	BOLT M6X20 (10 PCS.)	1	FOR NZL
* 335	949-455	SPRING WASHER M6 (10 PCS.)	1	FOR NZL
* 336	949-776	ROLL PIN D3X10 (10 PCS.)	1	FOR NZL
* 337	973-853	GAUGE	1	SINCE 10.1982 FOR USA.CAN
* 338	949-256	MACHINE SCREW M6X16 (10 PCS.)	2	SINCE 10.1982 FOR USA.CAN

\*: ALTERNATIVE PARTS







## PARTS

F - 1000A

ITEM NO.	CODE NO.	DESCRIPTION	NO. USED	REMARKS
1	973-810	BASE ASS'Y	1	INCLUD.2 - 5
2		BASE	1	
3		COLUMN	2	
4	947-508	ROLL PIN D8X80	4	
5		COLUMN (A)	2	
6	949-755	HEX. SOCKET HD. BOLT M6X16 (10 PCS.)	2	
7	949-455	SPRING WASHER M6 (10 PCS.)	2	
8	934-028	CORD CLIP	1	
9	949-217	MACHINE SCREW M4X12 (10 PCS.)	2	
10	973-811	HANDLE ASS'Y	1	INCLUD.11 - 18,345,346
11	972-052	ROUND HANDLE	1	
12		HANDLE BOSS	1	
13		HANDLE SHAFT	1	
14	949-604	ROLL PIN D5X28 (10 PCS.)	1	
15	973-812	BEVEL PINION	1	
16	949-547	ROLL PIN D4X36 (10 PCS.)	1	
17	948-513	WASHER (B)	1	
18	972-801	HANDLE SPRING	1	SINCE 8.1983
19	973-814	FEED SCREW (E) ASS'Y	1	INCLUD.20 - 30
20		FEED SCREW (E)	1	
21	973-815	BEVEL GEAR	1	
22	949-506	ROLL PIN D4X28 (10 PCS.)	1	
23	939-286	THRUST BEARING (51103)	1	
24	966-012	BEARING SHIELD	1	
25	966-013	WASHER (E)	1	
26	973-850	PLATE	1	
27	944-616	WASHER (A)	1	
28	967-754	LINER	1	
29	949-560	NUT M10 (10 PCS.)	1	
30	949-572	LOCK NUT M10 (10 PCS.)	1	
31A	973-944	BASE ASS'Y FOR AUTOMATIC FEED	1	INCLUD.225 - 227 SINCE 8.1980
32	949-626	BOLT M8X25 (10 PCS.)	2	
33	949-457	SPRING WASHER M8 (10 PCS.)	2	
34	973-817	ROLLER ASS'Y	2	INCLUD.35,36
35		BASE ROLLER	2	
36		ROLLER SHAFT	2	
37	932-314	WASHER	4	TILL 9.1981
38A	947-512	SPECIAL BOLT M6	4	TILL 7.1983
38B	973-931	WING BOLT M6X55	4	SINCE 8.1983
39A	949-556	NUT M6 (10 PCS.)	4	TILL 7.1983
39B	949-313	WING NUT M6 (10 PCS.)	4	SINCE 8.1983
40	972-765	GUIDE PIECE	2	
41	949-216	MACHINE SCREW M4X10 (10 PCS.)	6	
42	949-453	SPRING WASHER M4 (10 PCS.)	6	
* 43	973-818	HEAD	1	
* 43	973-871	HEAD	1	FOR CAN
* 43	973-909	HEAD	1	FOR NZL
* 43	973-913	HEAD	1	FOR USA
44	947-508	ROLL PIN D8X80	2	
45	972-009	DISTANCE SLEEVE (B)	1	
46	965-909	ROLL PIN D8X60	2	

\*: ALTERNATIVE PARTS

## PARTS

F - 1000A

ITEM NO.	CODE NO.	DESCRIPTION	NO. USED	REMARKS
47	620-3VV	BALL BEARING 6203VVCMP2S	1	
48	620-4VV	BALL BEARING 6204VVCMP2S	1	
49	973-847	CUTTER BLOCK (A) ASS'Y	1	INCLUD.47,48,55
50	972-011	PLANER BLADES (A) 317MM (1 PAIR)	1	
51	978-755	BOLT (10 PCS.)	4	
52	976-754	BOLT (10 PCS.)	12	
54	973-819	BLADE HOLDER (1 PAIR)	2	
55	972-012	BEARING HOLDER (A)	1	
56	949-826	BOLT M8X25 (10 PCS.)	2	
57	949-457	SPRING WASHER M8 (10 PCS.)	2	
58	946-362	BEARING LOCK	1	
59	966-061	LOCK RING (B)	1	
60	949-457	SPRING WASHER M8 (10 PCS.)	1	
61	949-433	BOLT WASHER M8 (10 PCS.)	1	
62	949-558	NUT M8 (10 PCS.)	1	
63	949-786	PIN D3X6 (10 PCS.)	1	
64	973-820	BEARING CAP (C)	1	
65	949-256	MACHINE SCREW M6X18 (10 PCS.)	2	
66	949-455	SPRING WASHER M6 (10 PCS.)	2	
67	972-048	LOCK	1	
68	949-473	PIN D3X8 (10 PCS.)	2	
69	949-220	MACHINE SCREW M4X18 (10 PCS.)	2	
70	949-453	SPRING WASHER M4 (10 PCS.)	2	
71	973-849	PULLEY (C)	1	
72	947-530	NUT (LEFT HAND) M8	1	
73	949-433	BOLT WASHER M8 (10 PCS.)	1	
74	949-457	SPRING WASHER M8 (10 PCS.)	1	
75	931-008	FEATHER KEY 4X4X12	1	
76	972-014	FEED ROLLER (A)	1	
77	972-015	FEED ROLLER (B)	1	
78	949-558	NUT M8 (10 PCS.)	3	
79	949-457	SPRING WASHER M8 (10 PCS.)	3	
80	949-426	WASHER M8 (10 PCS.)	3	
81	948-914	METAL	4	
82	972-016	METAL HOLDER (A)	2	
83	972-017	METAL HOLDER (B)	2	
84	949-821	HEX. SOCKET HD. BOLT M5X16 (10 PCS.)	8	
85	949-454	SPRING WASHER M5 (10 PCS.)	8	
86	966-025	METAL SPRING (A)	2	
87	966-026	METAL SPRING (B)	1	
88	947-539	METAL SPRING (C)	1	
89	948-676	SPROCKET	3	
* 90	972-018	SPROCKET (C)	1	
* 90	975-694Z	SPROCKET (B)	1	FOR USA
91	965-928	FEATHER KEY 4X4X25	1	
92	930-511	FEATHER KEY 4X4X10	2	
93	972-019	CHAIN (42 LINK)	1	
94	972-020	CHAIN (38 LINK)	1	
95	972-793	BUTTON HEAD SOCKET SCREW M6X25	4	
96	949-455	SPRING WASHER M6 (10 PCS.)	4	
97	968-547	PIN D6X13	2	

\*: ALTERNATIVE PARTS

## PARTS

F - 1000A

ITEM NO.	CODE NO.	DESCRIPTION	NO. USED	REMARKS
98	972-021	CHAIN COVER (A)	1	
99	972-022	CHAIN COVER (B)	1	
100	949-788	MACHINE SCREW M6X55 (10 PCS.)	1	
101	949-455	SPRING WASHER M6 (10 PCS.)	3	
102	949-254	MACHINE SCREW M6X10 (10 PCS.)	1	
103	949-256	MACHINE SCREW M6X16 (10 PCS.)	1	
104	947-573	BELT	2	
* 106	972-023	CHIP COVER	1	
* 106	975-698Z	CHIP COVER	1	FOR USA
* 107	949-428	WING BOLT M6X30 (10 PCS.)	2	
* 107	973-870	HIGH TENSION BOLT M6X30	2	FOR CAN
108	949-256	MACHINE SCREW M6X16 (10 PCS.)	2	
109	949-455	SPRING WASHER M6 (10 PCS.)	2	
110	949-432	BOLT WASHER M6 (10 PCS.)	2	
111	966-035	INDICATOR	1	
112	949-236	MACHINE SCREW M5X10 (10 PCS.)	2	
113	949-454	SPRING WASHER M5 (10 PCS.)	2	
* 114	973-822	SCALE BAR (A) ASS'Y	1	INCLUD.115,116
* 114	975-699Z	SCALE BAR (A) ASS'Y	1	INCLUD.115,116 FOR USA,CAN
115		SCALE BAR (A)	1	
* 116	966-036	SCALE (A)	1	
* 116	973-941	SCALE (A)	1	FOR USA,CAN
* 117	973-823	JOINTER BASE ASS'Y	1	INCLUD.118 - 154
* 117	973-872	JOINTER BASE ASS'Y	1	INCLUD.118 - 154 FOR CAN
* 117	973-910	JOINTER BASE ASS'Y	1	INCLUD.118 - 154 FOR NZL
* 117A	973-855Z	JOINTER BASE ASS'Y	1	INCLUD.118 - 154,341 - 344 FOR USA SINCE 5.1993
118	949-256	MACHINE SCREW M6X16 (10 PCS.)	3	
119	949-455	SPRING WASHER M6 (10 PCS.)	3	
120	967-817	STUD BOLT	1	
121	947-585	WASHER (A)	1	
122	948-173	LINER (C)	1	
123	949-581	NUT M12 (10 PCS.)	2	
124	949-681	ROLL PIN D5X25 (10 PCS.)	1	
* 125	947-588	SCALE (B)	1	
* 125	973-856Z	SCALE (B)	1	FOR USA,CAN
126	949-510	RIVET D2.5X4.8 (10 PCS.)	2	
127	949-760	HEX. SOCKET HD. BOLT M8X25 (10 PCS.)	8	
128	949-457	SPRING WASHER M8 (10 PCS.)	8	
129	973-824	LINK HOLDER	2	
130	949-845	HEX. SOCKET HD. BOLT M10X25 (10 PCS.)	4	
131	949-458	SPRING WASHER M10 (10 PCS.)	4	
132	973-825	STOPPER PIN	2	
133	952-178	SCREW (G)	2	
134	973-826	STOP PIECE (A)	2	
135	949-216	MACHINE SCREW M4X10 (10 PCS.)	4	
136	949-453	SPRING WASHER M4 (10 PCS.)	4	
137	949-429	BOLT WASHER M4 (10 PCS.)	4	
138	973-827	FEED SCREW (D) ASS'Y	1	INCLUD.139 - 145
139		FEED SCREW (D)	1	
140		HOLDER	1	

\*: ALTERNATIVE PARTS

# ■ MOTOR MODEL F1000-M FOR PLANER JOINTER F-1000A

## (PARTS LIST OF ITEM No.242 MOTOR ASS'Y)

F - 1000A

ITEM NO.	CODE NO.	DESCRIPTION	NO. USED	REMARKS
1	965-670	HOUSING ASS'Y	1	INCLUD.2,3
2	978-441	BRUSH HOLDER	2	
3	949-364	SLOTTED HD. SET SCREW M4X4 (10 PCS.)	2	
4	976-307	STOP PLATE	2	
* 5	968-914C	STATOR ASS'Y 110V - 115V	1	INCLUD.6
* 5	968-914D	STATOR ASS'Y 120V - 127V	1	INCLUD.6
* 5	968-914E	STATOR ASS'Y 220V - 230V	1	INCLUD.6
* 5	968-914F	STATOR ASS'Y 240V	1	INCLUD.6
* 5	968-914H	STATOR ASS'Y 115V	1	INCLUD.6 FOR CAN
* 5	968-914J	STATOR ASS'Y 230V	1	INCLUD.6 FOR CAN
* 5	972-081G	STATOR ASS'Y 115V	1	INCLUD.6 FOR USA
6	998-744	BRUSH TERMINAL	2	
* 7	972-071D	ARMATURE 120V - 127V	1	
* 7	972-071E	ARMATURE 220V - 230V	1	
* 7	972-071F	ARMATURE 240V	1	
* 7A	972-071U	ARMATURE ASS'Y 110V - 115V	1	INCLUD.9 - 12
8	947-803	THRUST WASHER	2	
9	939-542	RETAINING RING FOR D12 SHAFT (10 PCS.)	1	
10	620-1VV	BALL BEARING 6201VVCMP2S	4	
11	620-2VV	BALL BEARING 6202VVCMP2S	1	
12	947-622	DISTANCE PIECE	1	
13	972-080	PULLEY (D)	1	
14	946-362	BEARING LOCK	4	
15	945-801	BEARING LOCK	2	
* 16	999-044	CARBON BRUSH (1 PAIR)	2	
* 16	974-611Z	CARBON BRUSH (1 PAIR)	2	FOR USA
17	978-445	BRUSH CAP	2	
* 18	937-218	SWITCH (1P SCREW TYPE)	1	
* 18	972-082Z	SWITCH (1P SOLDER TYPE)	1	FOR USA
* 18A	972-515	SWITCH (A)	1	FOR CAN
* 18B	972-516	SWITCH (B)	1	FOR CAN
* 19	965-580	SWITCH PROTECTOR (B)	1	
* 19	972-517	SWITCH PROTECTOR (B)	1	FOR CAN
20	949-236	MACHINE SCREW M5X10 (10 PCS.)	2	
21	949-555	NUT M5 (10 PCS.)	2	
22	949-216	MACHINE SCREW M4X10 (10 PCS.)	4	
23	949-453	SPRING WASHER M4 (10 PCS.)	4	
* 24	972-072	SWITCH COVER	1	
* 24	972-083Z	SWITCH COVER	1	FOR USA
* 24	972-518	SWITCH COVER	1	FOR CAN
25	930-030	NOISE SUPPRESSOR	1	
* 26	949-454	SPRING WASHER M5 (10 PCS.)	1	FOR USA
27	940-778	CORD ARMOR D10.7	1	
* 28	500-202Z	CORD	1	(CORD ARMOR D10.7)
* 28	500-238Z	CORD	1	(CORD ARMOR D10.7) FOR NZL
* 28	972-089Z	CORD	1	(CORD ARMOR D10.7) FOR USA,CAN
* 29	949-292	MACHINE SCREW (BRASS) M4X6 (10 PCS.)	1	
* 29	949-235	MACHINE SCREW M5X8 (10 PCS.)	1	FOR USA
30	947-559	CORD CLIP	1	
31	949-218	MACHINE SCREW M4X14 (10 PCS.)	1	
32	949-554	NUT M4 (10 PCS.)	1	

\* : ALTERNATIVE PARTS

## PARTS

F - 1000A

ITEM NO.	CODE NO.	DESCRIPTION	NO. USED	REMARKS	
	33	959-141	CONNECTOR 50092 (10 PCS.)	1	
*	34	966-133	INNER COVER	1	
*	34	972-519	INNER COVER	1	FOR CAN
	35	949-892	PIN D6X12 (10 PCS.)	1	
*	36A	972-073	GEAR COVER	1	TILL 6.1983
*	36A	972-520	GEAR COVER	1	TILL 6.1983 FOR CAN
*	36B	976-261	GEAR COVER	1	SINCE 7.1983
*	36B	972-528	GEAR COVER	1	SINCE 7.1983 FOR CAN
	37	947-562	PINION	2	
	38	600-0VV	BALL BEARING 6000VVCMP2S	2	
	39	948-983	FIRST GEAR	1	
	40	930-511	FEATHER KEY 4X4X10	2	
	41	947-564	THRUST WASHER	2	
	42	976-301	BEARING LOCK	2	
	43	948-984	SECOND GEAR	1	
	44	972-074	SPINDLE	1	
	45	620-4VV	BALL BEARING 6204VVCMP2S	1	
	46	931-008	FEATHER KEY 4X4X12	1	
	47	948-986	FINAL GEAR	1	
	48	947-568	THRUST WASHER	1	
	49	949-264	MACHINE SCREW M6X40 (10 PCS.)	5	
	50	949-455	SPRING WASHER M6 (10 PCS.)	13	
	51	966-136	MACHINE SCREW M6X70	1	
	52	949-280	MACHINE SCREW M6X25 (10 PCS.)	3	
*	53A	972-075	END BRACKET	1	TILL 6.1983
*	53A	972-084Z	END BRACKET	1	TILL 6.1983 FOR USA
*	53B	976-257	END BRACKET	1	SINCE 7.1983
*	53B	972-527	END BRACKET	1	SINCE 7.1983 FOR USA
	54	949-258	MACHINE SCREW M6X20 (10 PCS.)	4	
	55A	972-076	RETURN ROLLER	1	TILL 6.1983
	55B	972-526	RETURN ROLLER	1	SINCE 7.1983
	57	966-130	MACHINE SCREW M5X80	2	
	58	949-454	SPRING WASHER M5 (10 PCS.)	4	
	59	972-077	RETURN ROLLER HOLDER	1	TILL 4.1981
	60	949-455	SPRING WASHER M6 (10 PCS.)	2	TILL 4.1981
	61	949-660	HEX. SOCKET HD. BOLT M6X20 (10 PCS.)	2	TILL 4.1981
*	63	985-009	PLUG HOUSING	1	FOR USA
*	64	976-260	RECEPTACLE HOUSING	1	FOR USA
*	65		VINYL TUBE (I.D.8.3XT0.7X170)	1	FOR USA,CAN
*	66	972-087Z	SOCKET CONTACT	1	FOR USA
*	67	972-085	PIN CONTACT	1	FOR USA
*	68	971-939Z	RUBBER PLATE	1	FOR USA
	69	949-453	SPRING WASHER M4 (10 PCS.)	1	
*	70	974-265	CORD LOCK (NC - 1)	1	FOR CAN
*	71	972-521Z	CORD (A)	1	FOR CAN
*	72		PIN	2	FOR CAN
*	73		PLUG HOUSING	1	FOR CAN
*	74	972-522	CAP HOUSING	1	FOR CAN
*	75	972-523	SOCKET	2	FOR CAN
*	76	972-524	CORD (B)	1	FOR CAN
*	78		WIRE	1	FOR CAN

\*: ALTERNATIVE PARTS

**PARTS****F - 1000A**

ITEM NO.	CODE NO.	DESCRIPTION	NO. USED	REMARKS	
* 79	972-525	COVER	1	FOR CAN	
* 80	949-236	MACHINE SCREW M5X10 (10 PCS.)	2	FOR CAN	
* 81	949-454	SPRING WASHER M5 (10 PCS.)	2	FOR CAN	
* 82	932-161	SWITCH NAME PLATE (E)	1		
* 82	973-868	SWITCH PLATE	1	FOR CAN	
83	978-305	VINYL COVER	1		
84	978-306	PLATE	2		

Remarks :

- (1) This Parts List is integral part of the "ELECTRIC TOOL PARTS LIST" for PLANER JOINTER model F-1000A issued on 1996.6.14 (E5) (Parts List for F-1000A). For your convenience, please file this list with Parts List for F-1000A.
- (2) To check exploded assembly diagram of this parts break-down list, please refer to page 5 of Parts List for F-1000A.

