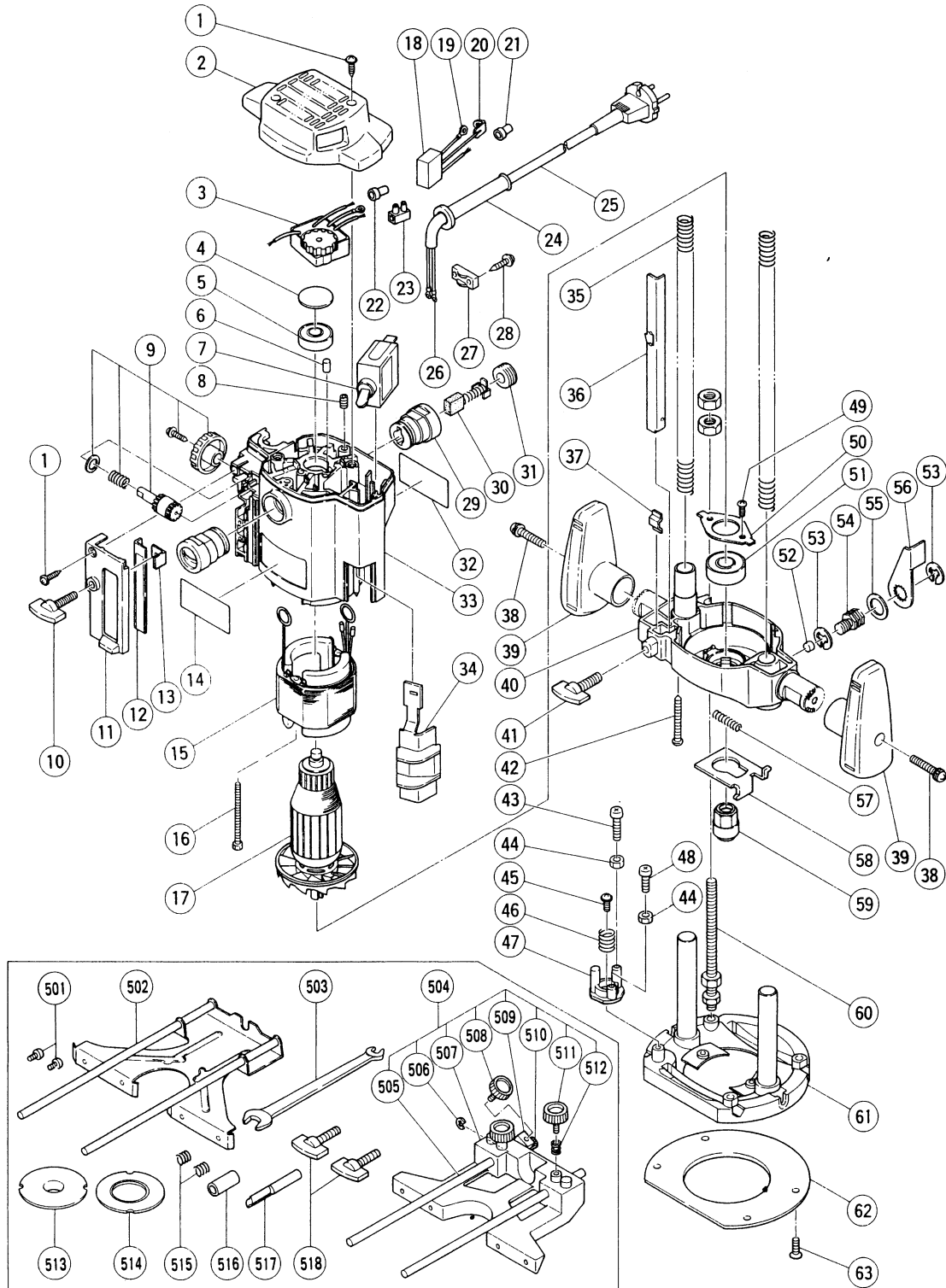


ELECTRIC TOOL PARTS LIST

ROUTER
Model M 8V

1989-6-10
M 8V(E1)



PARTS

M 8V

| ITEM NO. | CODE NO. | DESCRIPTION | NO. USED | REMARKS |
|----------|----------|--|----------|---|
| 1 | 302-086 | TAPPING SCREW (W/FLANGE) D4X20 (BLACK) | 3 | |
| 2 | 302-195 | TOP COVER (B) | 1 | |
| * 3 | 302-199 | CONTROLLER CIRCUIT 110V-127V | 1 | |
| * 3 | 302-198 | CONTROLLER CIRCUIT 220V-240V | 1 | |
| 4 | 971-835 | BEARING SEAL | 1 | |
| 5 | 608-VVM | BALL BEARING 608VVMC2EPS2L | 1 | |
| 6 | 931-701 | BEARING LOCK | 1 | |
| 7 | 955-509 | SWITCH (1P SOLDER TYPE) | 1 | |
| 8 | 938-477 | HEX. SOCKET SET SCREW M5X8 | 2 | |
| 9 | 301-798 | KNOB PINION | 1 | |
| 10 | 301-801 | WING BOLT M6X27 | 1 | |
| 11 | 302-183 | FRONT COVER | 1 | |
| * 12 | 301-824 | SCALE (MM) | 1 | |
| * 12 | 301-825 | SCALE (INCH) | 1 | FOR USA,CAN |
| 13 | 301-800 | SCALE STOPPER | 1 | |
| 14 | | HITACHI LABEL | 1 | |
| * 15 | 340-193C | STATOR 110V-115V | 1 | |
| * 15 | 340-193D | STATOR 127V | 1 | |
| * 15 | 340-193E | STATOR 220V-230V | 1 | |
| * 15 | 340-193F | STATOR 240V | 1 | |
| * 15 | 340-193G | STATOR 220V | 1 | FOR SWE,AUS,NOR |
| * 15 | 340-193H | STATOR 240V | 1 | FOR GBR |
| * 15 | 340-193J | STATOR 110V | 1 | FOR GBR |
| 16 | 960-251 | HEX. HD. TAPPING SCREW D5X65 | 2 | |
| * 17 | 360-166C | ARMATURE 110V-115V | 1 | |
| * 17 | 360-166D | ARMATURE 127V | 1 | |
| * 17 | 360-166E | ARMATURE 220V-230V | 1 | |
| * 17 | 360-166F | ARMATURE 240V | 1 | |
| * 17 | 360-166G | ARMATURE 220V | 1 | FOR SWE,AUS,NOR |
| * 17 | 360-166H | ARMATURE 240V | 1 | FOR GBR |
| * 17 | 360-166J | ARMATURE 110V | 1 | FOR GBR |
| * 18 | 994-273 | NOISE SUPPRESSOR | 1 | FOR GBR,SAF,FRG,FRA,HOL,DEN,FIN,SWE,AUS,NOR,NZL,ITA,SUI |
| * 19 | 980-063 | TERMINAL | 1 | FOR NZL,GBR,SAF,FRG,FRA,HOL,DEN,FIN,SWE,AUS,NOR,ITA,SUI |
| * 20 | 993-853 | EARTH WASHER D5 | 1 | FOR NZL,GBR,SAF,FRG,FRA,HOL,DEN,FIN,SWE,AUS,NOR,ITA,SUI |
| 21 | 959-141 | CONNECTOR 50092 (10 PCS.) | 1 | |
| 22 | 959-140 | CONNECTOR 50091 (10 PCS.) | 1 | |
| 23 | 938-307Z | PILLAR TERMINAL | 1 | |
| * 24 | 953-327 | CORD ARMOR D8.8 | 1 | |
| * 24 | 938-051 | CORD ARMOR D10.1 | 1 | |
| * 25 | 500-201Z | CORD | 1 | (CORD ARMOR D10.1) |
| * 25 | 500-234Z | CORD | 1 | (CORD ARMOR D8.8)FOR ITA,FRG,FRA,HOL,DEN,INA |
| * 25 | 500-247Z | CORD | 1 | (CORD ARMOR D10.1)FOR FIN,SWE,AUS,NOR |
| * 25 | 500-237Z | CORD | 1 | (CORD ARMOR D8.8)FOR GBR |
| * 25 | 500-248Z | CORD | 1 | (CORD ARMOR D10.1)FOR SUI |
| * 25 | 500-240Z | CORD | 1 | (CORD ARMOR D8.8)FOR USA,CAN |
| * 25 | 500-245Z | CORD | 1 | (CORD ARMOR D10.1)FOR SYR |
| * 25 | 500-223Z | CORD | 1 | (CORD ARMOR D10.1)FOR KUW |
| * 251 | 500-423Z | CORD 220V | 1 | (CORD ARMOR D8.8)FOR SAU |
| * 251 | 500-226Z | CORD | 1 | (CORD ARMOR D8.8)FOR NZL,NGU |
| * 251 | 500-405Z | CORD | 1 | (CORD ARMOR D8.8)FOR AUT |
| * 251 | 500-231Z | CORD | 1 | (CORD ARMOR D8.8)FOR SAF |
| * 26 | 992-810 | TERMINAL | 1 | FOR FIN,SWÉ,AUS,NOR,SUI |

