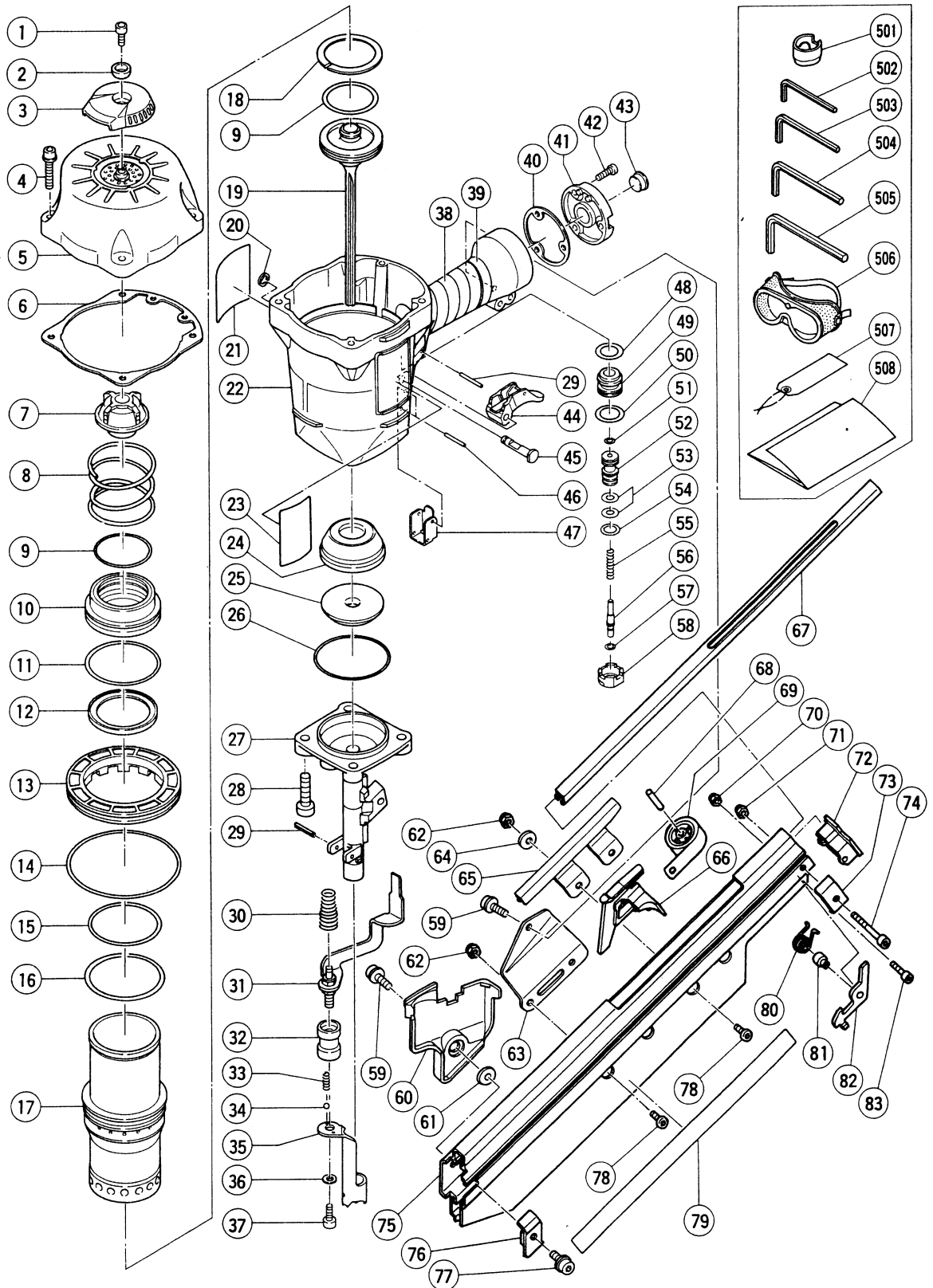


PNEUMATIC TOOL PARTS LIST

■ STRIP NAILER
Model NR 90AA

1999·7·20
(E1)



PARTS

NR 90AA

ITEM NO.	CODE NO.	DESCRIPTION	NO. USED	REMARKS	
1	949-755	HEX. SOCKET HD. BOLT M6X16 (10 PCS.)	1		
2	880-515	PLATE	1		
3	880-514	TOP COVER	1		
4	882-793	HEX. SOCKET HD. BOLT (W/FLANGE) M6X35	4		
5	881-946	EXHAUST COVER	1		
6	881-940	GASKET (A)	1		
7	881-945	EXHAUST VALVE RUBBER	1		
8	881-944	HEAD VALVE SPRING	1		
9	877-124	CYLINDER O-RING (B)	2		
10	881-942	HEAD VALVE	1		
11	877-315	CYLINDER O-RING (I.D 63.9)	1		
12	881-943	HEAD VALVE RUBBER	1		
13	881-941	CYLINDER PLATE	1		
14	878-907	O-RING (S-95)	1		
15	878-376	O-RING (I.D 59.6/W2.4)	1		
16	881-972	O-RING	1		
17	881-939	CYLINDER	1		
18	881-930	PISTON RING	1		
19	882-979	PISTON	1		
20	955-479	RETAINING RING (E-TYPE) FOR D6 SHAFT	1		
21	878-184	WARNING LABEL	1		
22	881-938	BODY ASS'Y	1	INCLUD.38,39	
23		NAME PLATE	1		
24	881-966	PISTON BUMPER (A)	1		
25	881-967	PISTON BUMPER (B)	1		
26	956-996	O-RING (1AS-60)	1		
27	882-970	NOSE	1		
28	949-759	HEX. SOCKET HD. BOLT M8X30 (10 PCS.)	4		
29	949-864	ROLL PIN D3X22 (10 PCS.)	2		
30	882-980	SPRING	1		
31	882-971	PUSHING LEVER (B)	1		
32	881-974	ADJUSTER (A)	1		
33	982-454	SPRING (C)	2		
34	959-155	STEEL BALL D3.97 (10 PCS.)	2		
35	882-982	PUSHING LEVER (A)	1		
36	880-081	WASHER	1		
37	949-657	HEX. SOCKET HD. BOLT M6X12 (10 PCS.)	1		
38	881-768	GRIP TAPE (A)	1		
39	880-407	TAPE	2		
40	881-769	GASKET (B)	1		
41	881-949	CAP	1		
42	949-821	HEX. SOCKET HD. BOLT M5X16 (10 PCS.)	3		
43	872-035	DUST CAP	1		
* 44	881-779	TRIGGER (A)	1		
* 44	880-674	TRIGGER (A)	1	FOR USA	
* 45	881-975	TRIGGER PIN (A)	1		
* 45	881-952	TRIGGER PIN	1	FOR USA	
46	949-865	ROLL PIN D3X28 (10 PCS.)	2		
47	880-361	PUSHING LEVER GUIDE	1		
48	877-699	HEAD VALVE O-RING (I.D 16.8)	1		
49	878-881	VALVE BUSHING (B)	1		

* : ALTERNATIVE PARTS

7 - 99

