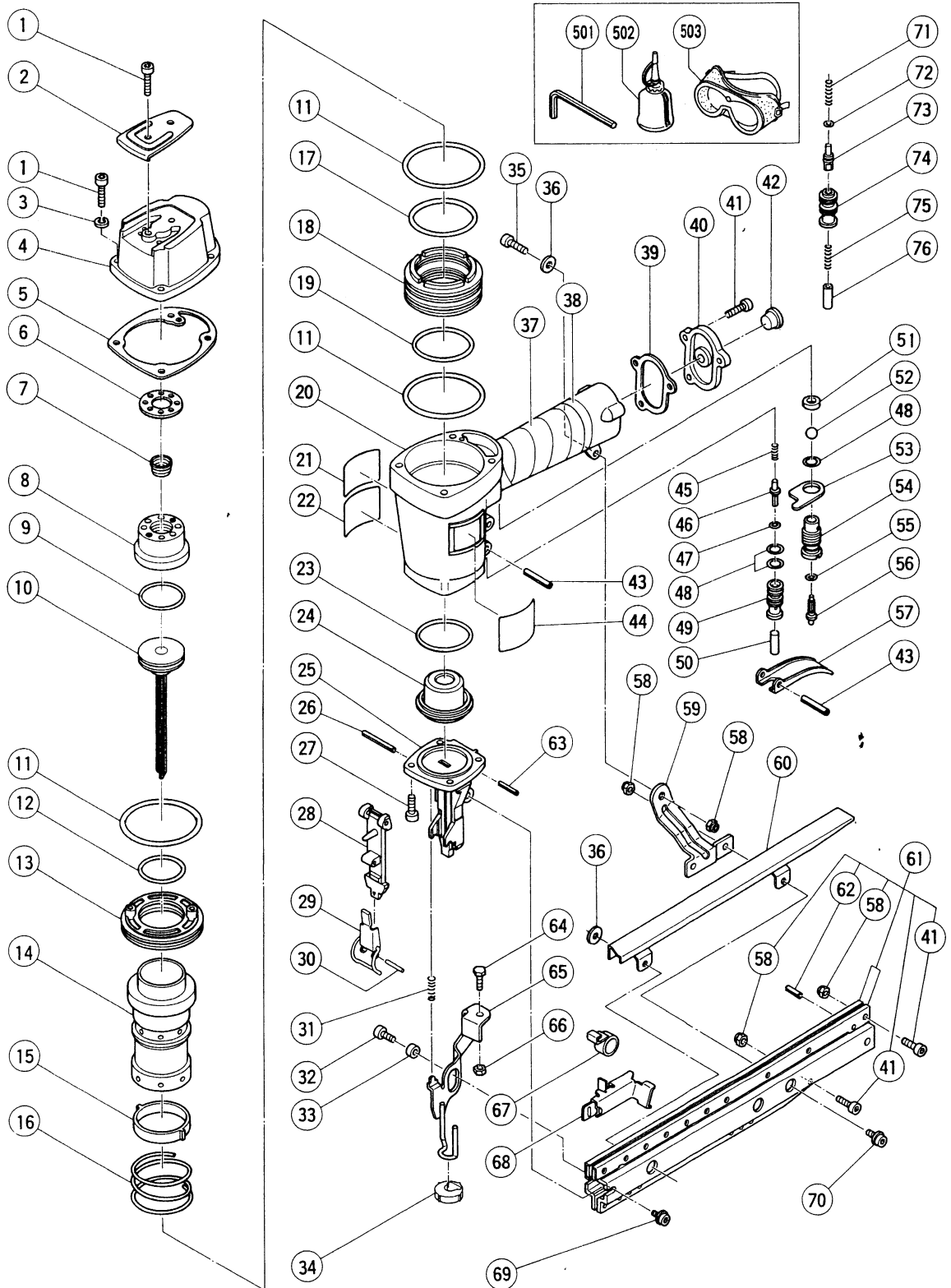
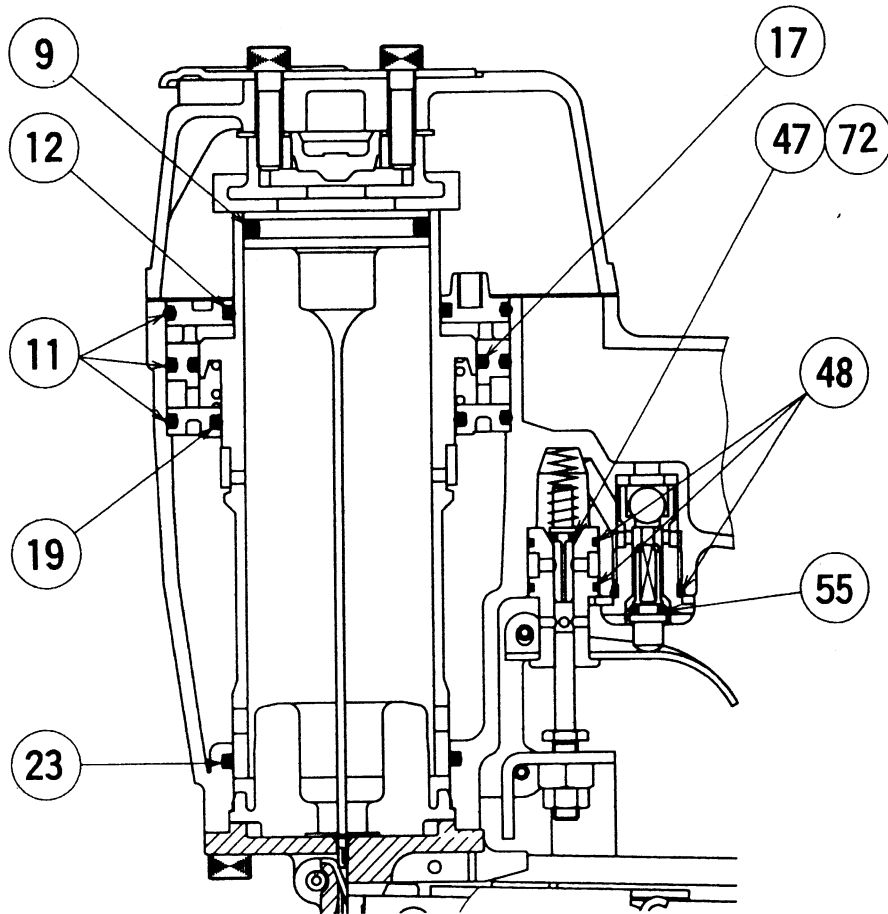


## PNEUMATIC TOOL PARTS LIST

■ FINISH NAILER  
Model NT 65A2

1998 • 5 • 10  
(E1)





O – ring setting position

## PARTS

NT 65A2

ITEM NO.	CODE NO.	DESCRIPTION	NO. USED	REMARKS
1	949-757	HEX. SOCKET HD. BOLT M5X20 (10 PCS.)	6	
2	876-179	TOP COVER	1	
3	949-454	SPRING WASHER M5 (10 PCS.)	4	
4	877-917	EXHAUST COVER	1	
5	876-176	GASKET (B)	1	
6	876-178	GASKET (C)	1	
7	878-539	EXHAUST VALVE	1	
8	878-026	HEAD CAP	1	
9	876-174	PISTON O - RING	1	
10	882-402	PISTON	1	
11	876-161	O - RING (S - 65)	3	
12	877-126	CYLINDER O - RING (D)	1	
13	876-168	CYLINDER PLATE	1	
14	882-407	CYLINDER	1	
15	876-167	CYLINDER RING	1	
16	876-172	CYLINDER SPRING	1	
17	877-123	CYLINDER O - RING (A)	1	
18	877-122	CYLINDER GUIDE	1	
19	877-124	CYLINDER O - RING (B)	1	
20	882-406	BODY (B) ASS'Y	1	INCLUD.37,38
* 21	878-184	WARNING LABEL	1	EXCEPT FRA
* 22	878-183	WARNING LABEL	1	FOR FRA
23	877-125	CYLINDER O - RING (C)	1	
24	878-359	PISTON BUMPER	1	
25	882-400	NOSE ASS'Y	1	INCLUD.63
26	949-547	ROLL PIN D4X36 (10 PCS.)	1	
27	878-181	NYLOCK HEX. SOCKET HD. BOLT M5X16	4	
28	882-404	GUIDE PLATE	1	
29	881-747	LOCK LEVER	1	
30	949-685	ROLL PIN D3X20 (10 PCS.)	1	
* 31	877-873	SPRING (B)	1	EXCEPT FRA
* 31	877-883	SPRING (C)	1	FOR FRA
32	880-830	NYLOCK HEX. SOCKET HD. BOLT M5X12	1	
33	882-403	SLEEVE (A)	1	
34	881-751	NOSE CAP (A)	1	
35	949-658	HEX. SOCKET HD. BOLT M5X18 (10 PCS.)	1	
36	876-205	WASHER	2	
37	881-768	GRIP TAPE (A)	1	
38	880-407	TAPE	2	
39	877-131	GASKET (D)	1	
40	880-036	CAP	1	
41	949-821	HEX. SOCKET HD. BOLT M5X16 (10 PCS.)	5	
42	872-035	DUST CAP	1	
43	949-866	ROLL PIN D3X30 (10 PCS.)	2	
44		NAME PLATE	1	
* 45	875-643	PLUNGER SPRING	1	EXCEPT SEQUENTIAL FIRE PARTS TYPE
* 46	878-542	PLUNGER (A)	1	EXCEPT SEQUENTIAL FIRE PARTS TYPE
* 47	877-705	PLUNGER O - RING	1	EXCEPT SEQUENTIAL FIRE PARTS TYPE
48	875-638	O - RING (S - 12)	3	
* 49	877-880	VALVE BUSHING	1	EXCEPT SEQUENTIAL FITE PARTS TYPE
50	877-882	PLUNGER (B)	1	EXCEPT SEQUENTIAL FIRE PARTS TYPE

\*: ALTERNATIVE PARTS

