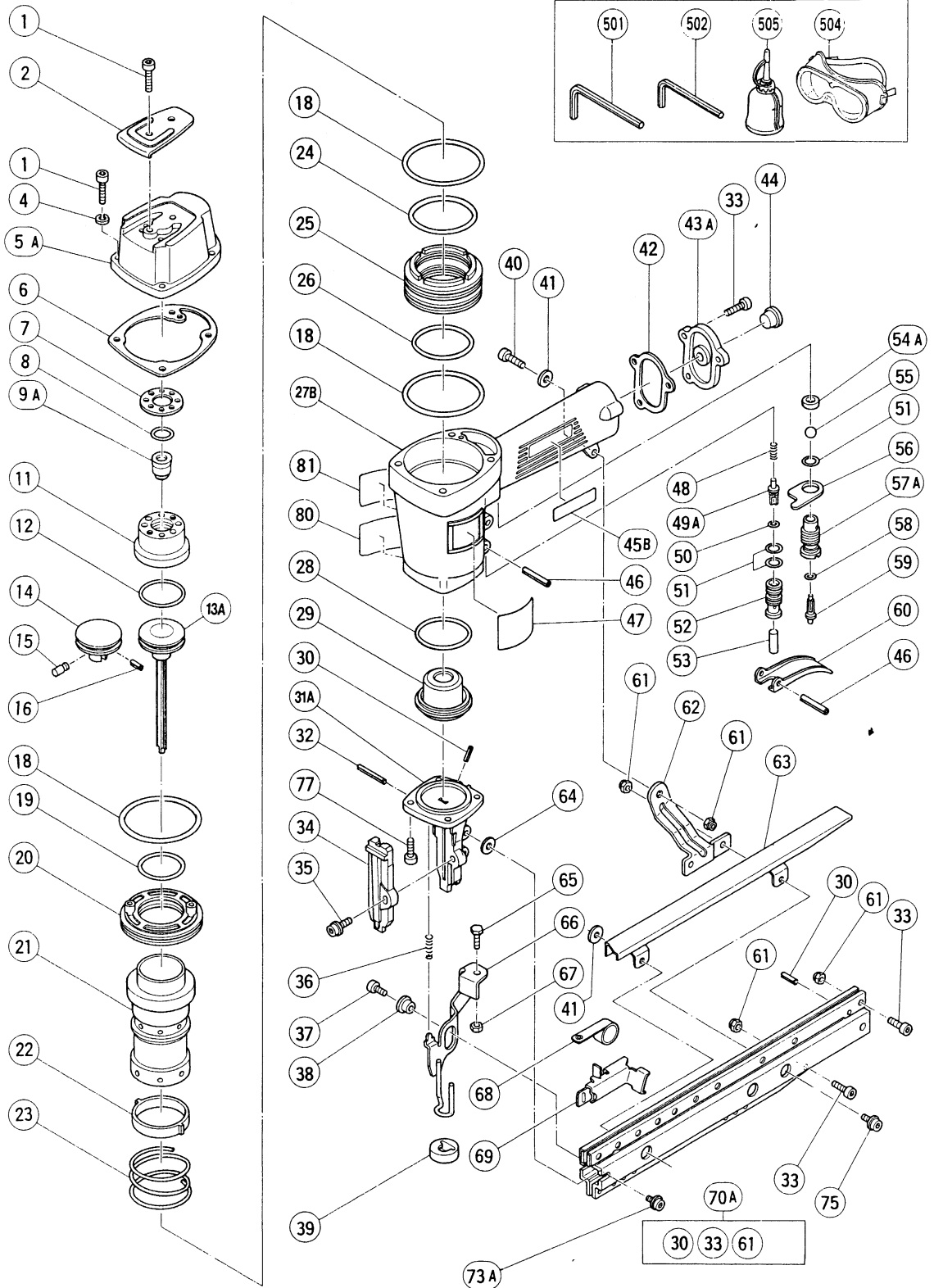


PNEUMATIC TOOL PARTS LIST

■ BRAD NAILER
Model NT 65A

1997 • 1 • 30
(E3)



PARTS

NT 65A

ITEM NO.	CODE NO.	DESCRIPTION	NO. USED	REMARKS
1	949-757	HEX. SOCKET HD. BOLT M5X20 (10 PCS.)	6	
2	876-179	TOP COVER	1	
4	949-454	SPRING WASHER M5 (10 PCS.)	4	
5A	877-917	EXHAUST COVER	1	
6	876-176	GASKET (B)	1	
7	876-178	GASKET (C)	1	
8	872-821	VALVE O - RING	1	TILL 4.1988
9A	878-539	EXHAUST VALVE	1	
11	878-026	HEAD CAP	1	
12	876-174	PISTON O - RING	1	
13A	878-520	PISTON	1	
14	878-521	PISTON	1	TILL 6.1994
15	878-483	BIT PIN	1	TILL 6.1994
16	949-861	ROLL PIN D2X12 (10 PCS.)	1	TILL 6.1994
18	876-161	O - RING (S - 65)	3	
19	877-126	CYLINDER O - RING (D)	1	
20	876-168	CYLINDER PLATE	1	
21	878-021	CYLINDER	1	
22	876-167	CYLINDER RING	1	
23	876-172	CYLINDER SPRING	1	
24	877-123	CYLINDER O - RING (A)	1	
25	877-122	CYLINDER GUIDE	1	
26	877-124	CYLINDER O - RING (B)	1	
27B	878-430	BODY	1	
28	877-125	CYLINDER O - RING (C)	1	
29	878-359	PISTON BUMPER	1	
30	949-496	ROLL PIN D3X16 (10 PCS.)	2	
31A	878-522	NOSE ASSY	1	INCLUD.30,32
32	949-682	ROLL PIN D4X32 (10 PCS.)	1	
33	949-821	HEX. SOCKET HD. BOLT M5X16 (10 PCS.)	5	
34	878-527	BIT GUIDE	1	
35	878-533	HEX. SOCKET HD. BOLT (W/FLANGE) M6X16	1	
* 36	877-873	SPRING (B)	1	
* 36	877-883	SPRING (C)	1	FOR EUROPE
37	949-665	HEX. SOCKET HD. BOLT M5X14 (10 PCS.)	1	
38	878-526	SLEEVE	1	
39	878-538	NOSE CAP	1	
40	949-658	HEX. SOCKET HD. BOLT M5X18 (10 PCS.)	1	
41	876-205	WASHER	2	
42	877-131	GASKET (D)	1	
43A	880-036	CAP	1	
44	872-035	DUST CAP	1	
45B	878-182	HITACHI LABEL	1	
46	949-866	ROLL PIN D3X30 (10 PCS.)	2	
47		NAME PLATE	1	
48	875-643	PLUNGER SPRING	1	
49A	878-542	PLUNGER (A)	1	
50	877-705	PLUNGER O - RING	1	
51	875-638	O - RING (S - 12)	3	
52	877-880	VALVE BUSHING	1	
53	877-882	PLUNGER (B)	1	

*: ALTERNATIVE PARTS

PARTS

NT 65A

ITEM NO.	CODE NO.	DESCRIPTION	NO. USED	REMARKS
54A	878-734	VALVE PACKING	1	
55	875-645	URETHANE BALL (C) D7.14	1	
56	875-644	VALVE PLATE	1	
57A	877-335	TRIGGER VALVE BUSHING	1	
58	874-820	PLUNGER O - RING	1	
59	878-121	TRIGGER PLUNGER	1	
60	876-203	TRIGGER	1	
61	877-371	NYLON NUT M5	6	
62	878-531	HANDLE ARM	1	
63	878-530	MAGAZINE COVER	1	
64	878-525	DISTANCE WASHER T0.2	4	TILL 9.1995
65	875-650	SAFETY BOLT	1	
66	878-523	PUSHING LEVER	1	
67	949-555	NUT M5 (10 PCS.)	1	
68	878-528	RIBBON SPRING	1	
69	878-529	NAIL FEEDER	1	
70A	878-524	MAGAZINE ASS'Y	1	INCLUD.30,33,61
73A	878-540	NYLOCK BOLT (W/FLANGE) M5X8	1	
75	996-399	HEX. SOCKET HD. BOLT (W/FLANGE) M5X12	3	
77	878-181	NYLOCK HEX. SOCKET HD. BOLT M5X16	4	
78	878-543	DISTANCE WASHER T0.1	2	TILL 9.1995
79	878-544	WASHER T0.4	2	TILL 9.1995
* 80	878-184	WARNING LABEL	1	
* 81	878-183	WARNING LABEL	1	FOR EUROPE

STANDARD ACCESSORIES

ITEM NO.	CODE NO.	DESCRIPTION	NO. USED	REMARKS
501	944-459	HEX. BAR WRENCH 5MM	1	
502	944-458	HEX. BAR WRENCH 4MM	1	
504	875-769	EYE PROTECTOR	1	
* 505	877-153	PNEUMATIC TOOL LUBRICANT (30CC)	1	FOR EUROPE

OPTIONAL ACCESSORIES

ITEM NO.	CODE NO.	DESCRIPTION	NO. USED	REMARKS
601	876-762	SINGLE SHOT PARTS	1	

* : ALTERNATIVE PARTS

