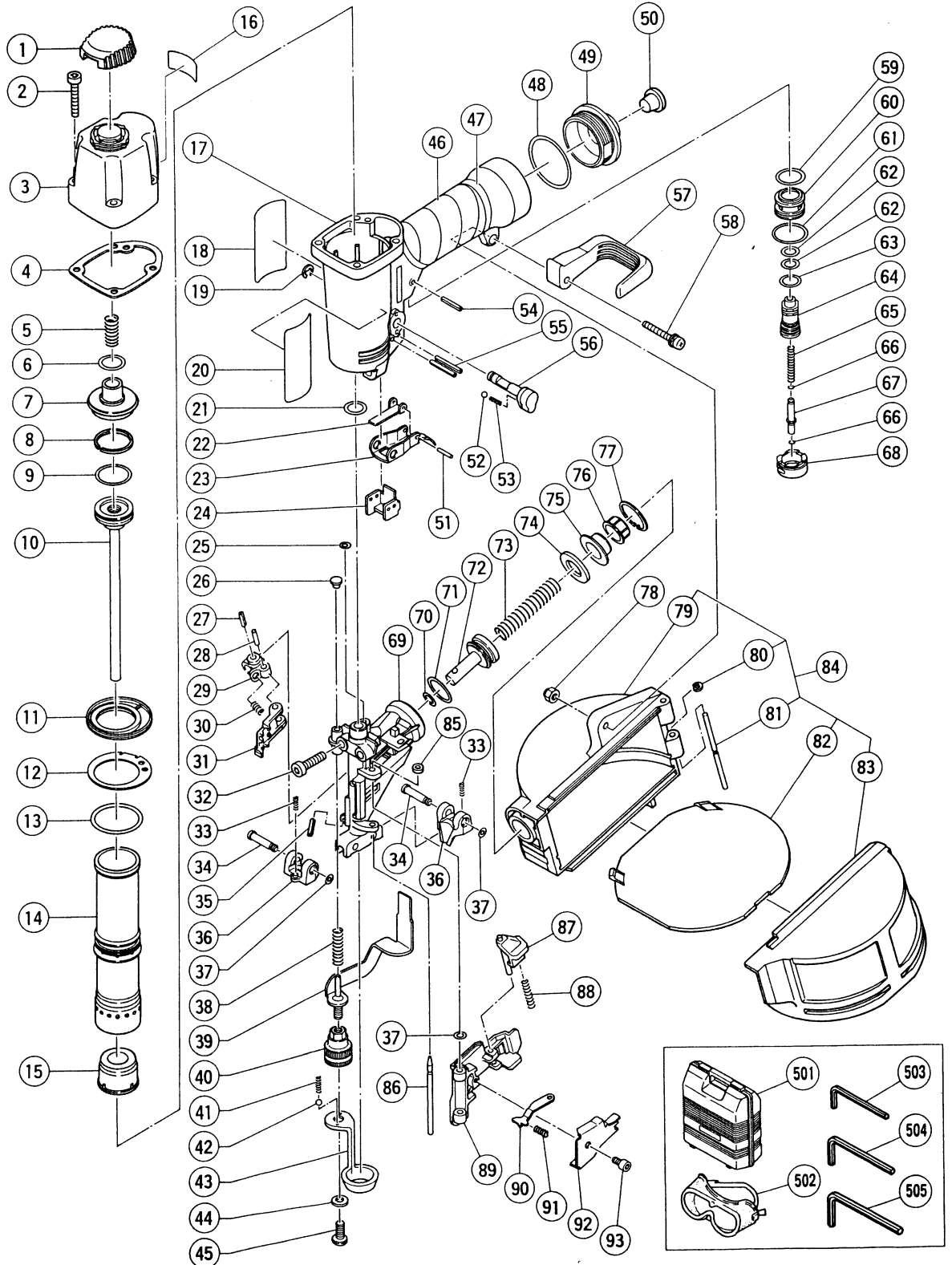


PNEUMATIC TOOL PARTS LIST

■ COIL NAILER
Model NV 50AG

1993 · 11 · 15
(E1)



PARTS

NV 50AG

ITEM NO.	CODE NO.	DESCRIPTION	NO. USED	REMARKS
1	880-191	TOP COVER	1	
2	949-822	HEX. SOCKET HD. BOLT M5X35 (10 PCS.)	4	
3	880-448	EXHAUST COVER	1	
4	880-196	GASKET (A)	1	
5	880-190	HEAD VALVE SPRING	1	
6	878-600	HEAD VALVE O - RING	1	
7	880-410	HEAD VALVE (A)	1	
8	878-596	PISTON RING	1	
9	880-195	PISTON O - RING	1	
10	880-440	PISTON	1	
11	880-186	CYLINDER PACKING	1	
12	880-187	CYLINDER WASHER (A)	1	
13	986-374	O - RING (P - 32)	1	
14	880-402	CYLINDER	1	
15	880-403	PISTON BUMPER	1	
16	878-499	CAUTION PLATE	1	
17	880-406	BODY ASS'Y	1	INCLUD.46,47
18		NAME PLATE	1	
19	955-479	RETAINING RING (E - TYPE) FOR D6 SHAFT	1	
20		HITACHI LABEL	1	
21	875-638	O - RING (S - 12)	1	
22	878-928	TRIGGER ARM	1	
23	878-927	TRIGGER	1	
24	880-194	PUSHING LEVER GUIDE	1	
25	873-093	O - RING (1AP - 3)	1	
26	880-176	ADJUSTER STOPPER	1	
27	949-770	ROLL PIN D4X14 (10 PCS.)	1	
28	983-545	NEEDLE ROLLER	1	
29	878-132	FEEDER ARM	1	
30	878-340	FEEDER SPRING	1	
31	880-433	FEEDER	1	
32	949-660	HEX. SOCKET HD. BOLT M6X20 (10 PCS.)	2	
33	880-447	SPRING	2	
34	880-443	GUIDE SHAFT	2	
35	949-496	ROLL PIN D3X16 (10 PCS.)	1	
36	880-442	VERTICAL GUIDE	2	
37	874-436	O - RING (P - 4)	3	
38	880-204	PUSHING LEVER SPRING	1	
39	880-171	PUSHING LEVER (B)	1	
40	880-383	ADJUSTER (B)	1	
41	880-175	ADJUSTER SPRING	2	
42	959-148	STEEL BALL D3.175 (10 PCS.)	2	
43	880-434	PUSHING LEVER (A)	1	
44	880-081	WASHER	1	
45	878-833	HEX. SOCKET HD. BOLT M6X14	1	
46	880-408	GRIP TAPE	1	
47	880-407	TAPE	2	
48	880-183	O - RING (I.D 37.2)	1	
49	880-379	CAP	1	
50	872-035	DUST CAP	1	
51	878-965	ROLL PIN D2.5X16	1	

*: ALTERNATIVE PARTS

