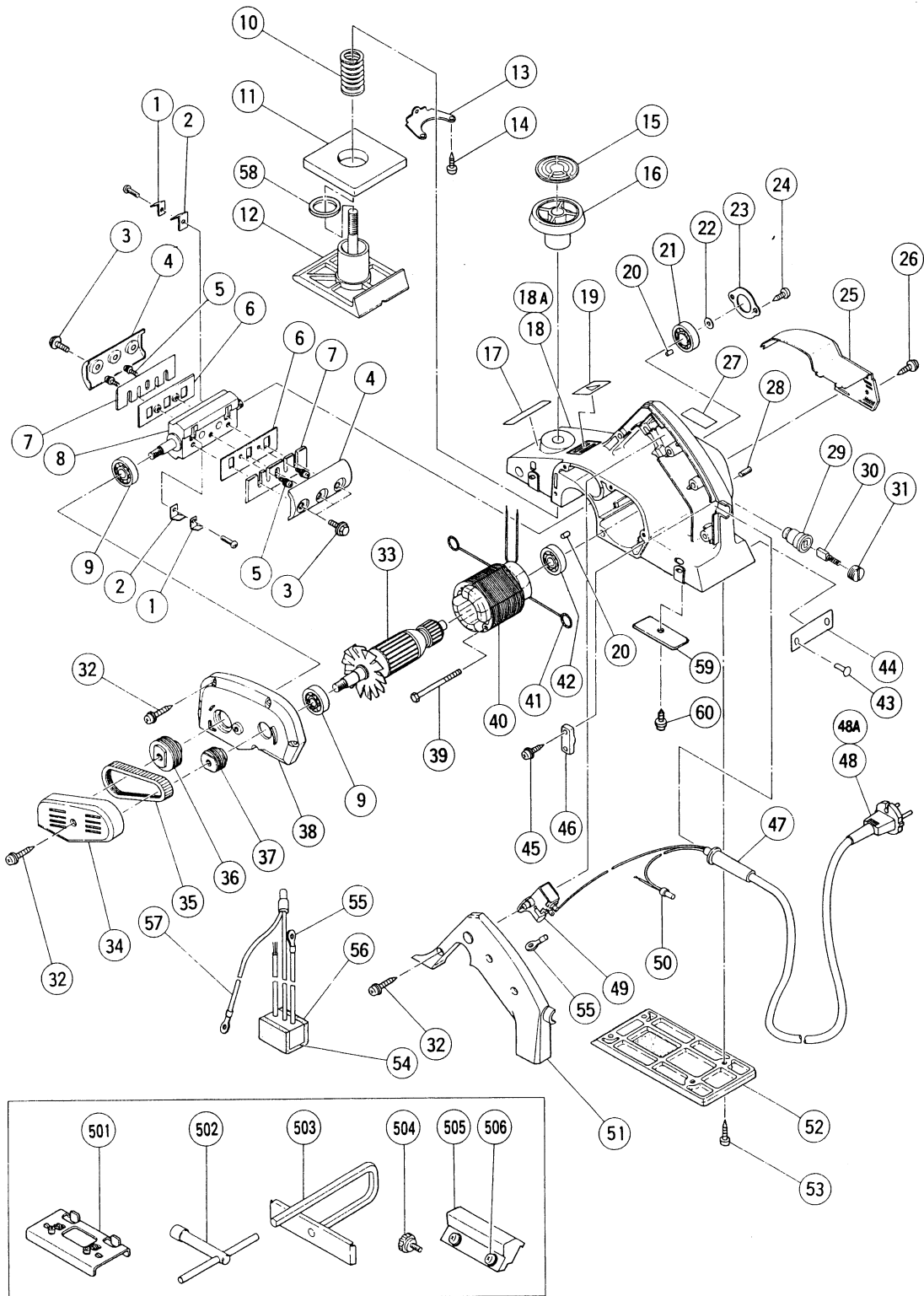


## ELECTRIC TOOL PARTS LIST

■ PLANER  
Model P 20SB

1996 · 12 · 10  
(E3)



## PARTS

P 20SB

ITEM NO.	CODE NO.	DESCRIPTION	NO. USED	REMARKS	
1	958-731Z	HOLDER SPRING (B)	4		
2	958-732Z	GUARD PLATE (A)	4		
3	990-669	BOLT (W/WASHER) M6X18	6		
4	958-734Z	BLADE HOLDER (1 PAIR)	2		
5	986-723	MACHINE SCREW (W/WASHERS) M4X8	4		
6	958-733Z	BACK METAL	2		
7	958-728	PLANER BLADES 82MM (1 PAIR)	2		
8	958-730Z	CUTTER BLOCK ASS'Y (W/B.B)	1	INCLUD.1,2,9,21	
9	620-0VV	BALL BEARING 6200VVCMP2S	2		
10	958-709	SPRING	1		
11	958-708	RUBBER PACKING	1		
12	958-707	FRONT BASE	1		
13	958-945	SCREW PLATE	1		
14	954-017	TAPPING SCREW D4X12	1		
*	15	958-710	SCALE	1	
*	15	958-737P	SCALE (INCH)	1	FOR USA
*	16	958-729	KNOB ASS'Y	1	INCLUD.15
*	16	958-695P	KNOB ASS'Y FOR INCH	1	INCLUD.15 FOR USA
17	957-561	HITACHI LABEL	1		
*	18	308-103	HOUSING ASS'Y	1	W/O LOCK SWITCH INCLUD.13,14,28,29,32, 39,51,59,60 FOR CHN
*	18A	962-642Z	HOUSING ASS'Y	1	INCLUD.13,14,28,29,32,39,51
*	18A	962-645	HOUSING ASS'Y	1	INCLUD.13,14,28,29,32,39,51,59,60 FOR USA
19		MARK PLATE	1		
20	931-701	BEARING LOCK	2		
21	600-0VV	BALL BEARING 6000VVCMP2S	1		
22	945-153	THRUST WASHER (B)	1		
23	313-671	BEARING COVER	1		
24	954-017	TAPPING SCREW D4X12	2		
25	958-714	TAIL COVER	1		
26	930-446	TAPPING SCREW (W/WASHER) D4X16	2		
27		CAUTION PLATE	1		
28	938-477	HEX. SOCKET SET SCREW M5X8	2		
29	957-571	BRUSH HOLDER	2		
30	999-021	CARBON BRUSH (1 PAIR)	2		
31	931-266	BRUSH CAP	2		
32	956-636	TAPPING SCREW (W/WASHER) D4X25	9		
*	33	958-697U	ARMATURE ASS'Y 110V - 115V	1	INCLUD.9,42
*	33	958-697E	ARMATURE 220V - 230V	1	
*	33	958-697F	ARMATURE 240V	1	
*	34	958-719Z	BELT COVER (GREEN)	1	
*	34	958-738P	BELT COVER	1	FOR USA
35	958-718	BELT	1		
36	958-717	PULLEY (B)	1		
37	958-716	PULLEY (A)	1		
38	958-704	END BRACKET	1		
39	960-108	HEX. HD. TAPPING SCREW D4X60	2		
*	40	958-693P	STATOR ASS'Y 110V - 115V	1	INCLUD.41
*	40	954-215E	STATOR ASS'Y 220V - 230V	1	INCLUD.41
*	40	958-693G	STATOR ASS'Y 230V	1	INCLUD.41 FOR NZL

\*: ALTERNATIVE PARTS

## PARTS

P 20SB

ITEM NO.	CODE NO.	DESCRIPTION	NO. USED	REMARKS
* 40	954 - 215H	STATOR ASS'Y 220V	1	INCLUD.41 FOR CHN
* 40	958 - 693H	STATOR ASS'Y 240V	1	INCLUD.41 FOR AUS
41	930 - 630	BRUSH TERMINAL	2	
42	608 - VVM	BALL BEARING 608VVMC2EPS2L	1	
43	949 - 510	RIVET D2.5X4.8 (10 PCS.)	2	
44		NAME PLATE	1	
45	984 - 750	TAPPING SCREW (W/FLANGE) D4X16	2	
46	937 - 631	CORD CLIP	1	
* 47	930 - 487	CORD ARMOR D8.2	1	
* 47	930 - 026	CORD ARMOR D10.2	1	
* 48	500 - 234Z	CORD	1	(CORD ARMOR D8.2)
* 48	500 - 226Z	CORD	1	(CORD ARMOR D8.2) FOR NZL
* 48	500 - 432Z	CORD	1	(CORD ARMOR D8.2) FOR USA
* 48	500 - 245Z	CORD	1	(CORD ARMOR D10.2) FOR SYR
* 48	500 - 439Z	CORD	1	(CORD ARMOR D10.2) FOR AUS
* 48A	500 - 423Z	CORD	1	(CORD ARMOR D8.2) FOR SIN
* 49	957 - 747	SWITCH (A) (1P SCREW TYPE) W/LOCK	1	
* 49	302 - 470	SWITCH (C) (1P SCREW TYPE) W/O LOCK	1	FOR CHN
* 49	971 - 667Z	SWITCH (2P PILLAR TYPE) W/LOCK	1	FOR AUS
50	959 - 140	CONNECTOR 50091 (10 PCS.)	1	
* 51	958 - 944	HANDLE COVER (GREEN)	1	
* 51	962 - 643Z	HANDLE COVER (GREEN)	1	FOR W/O LOCK SWITCH FOR CHN
* 52	940 - 633	REAR BASE	1	
* 52	958 - 682	REAR BASE	1	FOR CHN
53	954 - 004	TAPPING SCREW D4X16	4	
* 54	994 - 273	NOISE SUPPRESSOR	1	FOR NZL
* 55	980 - 063	TERMINAL	2	FOR NZL
* 56	930 - 153	SUPPORT (B)	1	FOR NZL
* 57	985 - 191	INTERNAL WIRE	1	FOR NZL
* 58	958 - 691Z	RING	1	FOR USA
* 59	306 - 819	PLATE (A)	1	FOR USA,AUS
* 59	310 - 292	PLATE (B)	1	FOR CHN
* 60	982 - 034	TAPPING SCREW (W/WASHER) D4X12	1	FOR USA,AUS,CHN

## STANDARD ACCESSORIES

ITEM NO.	CODE NO.	DESCRIPTION	NO. USED	REMARKS
501	958 - 736	SET GAUGE	1	
502	940 - 543	BOX WRENCH 10MM	1	
503	958 - 842Z	GUIDE	1	
504	940 - 650	STOPPER SCREW M5X14	1	
* 505	940 - 653	BLADE SHARPENING ASS'Y	1	INCLUD.506 EXCEPT FOR USA
* 506	940 - 654	MACHINE SCREW (W/WASHER) M6X12	4	EXCEPT FOR USA

## OPTIONAL ACCESSORIES

ITEM NO.	CODE NO.	DESCRIPTION	NO. USED	REMARKS
601	879 - 210	PLANER BLADES (TCT) 82MM (1 PAIR)	2	
* 602	940 - 653	BLADE SHARPENING ASS'Y	1	INCLUD.603 FOR USA
* 603	940 - 654	MACHINE SCREW (W/WASHER) M6X12	4	FOR USA

\* : ALTERNATIVE PARTS

