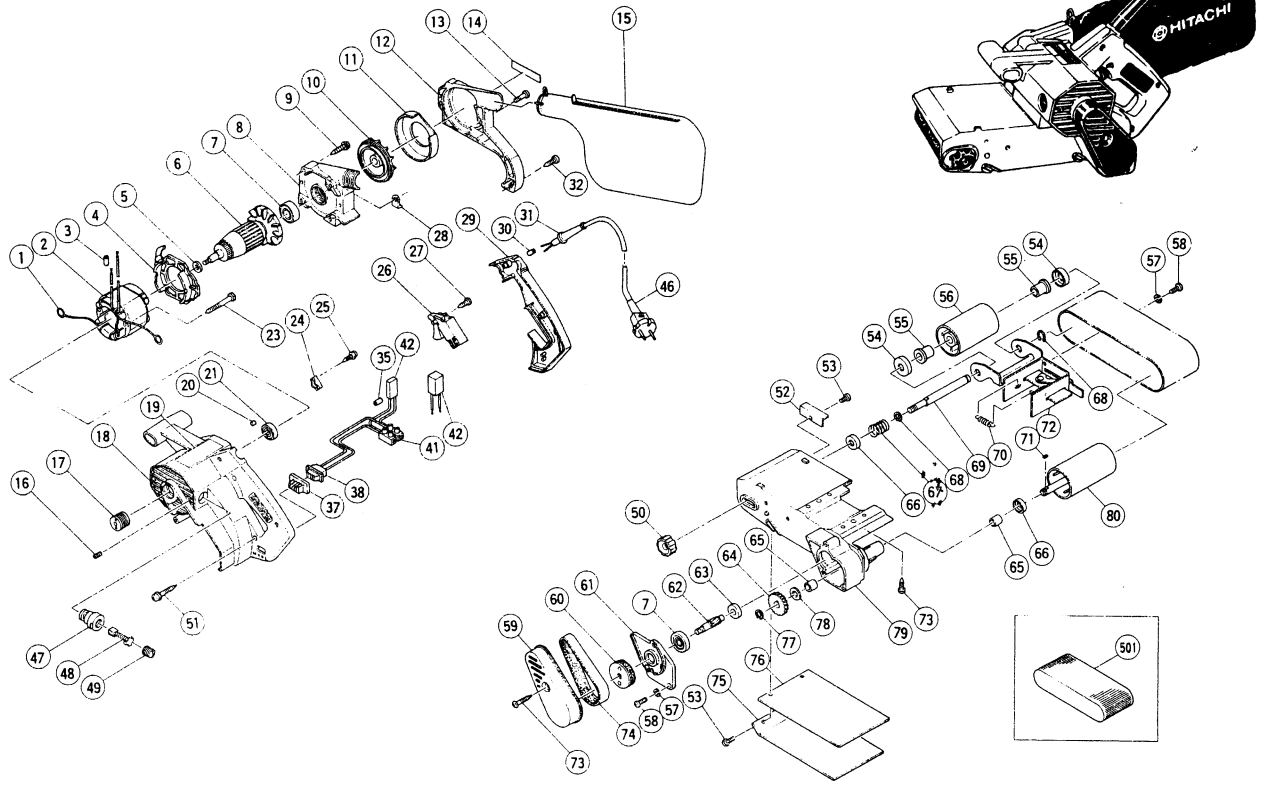




4" BELT SANDER

Model SB 10T



ITEM NO.	PART NO.	NO. USED	DESCRIPTION	SUPPLY Q'TY	ITEM NO.	PART NO.	NO. USED	DESCRIPTION	SUPPLY Q'TY
1	930703	2	Brush Terminal		46	500240Z	1	Cord	
2	340104C	1	Stator Assembly (includes Item Nos. 1, 3)		47	958900	2	Brush Holder	
3	981373	1	Tube (D)		48	999043	2	Carbon Brush	2
4	953185	1	Fan Guide		49	945161	2	Brush Cap	
5	954234	1	Bearing Washer (B)		50	995578	1	Knob Nut	
6	953145C	1	Armature		51	956636	3	Tapping Screw D4x25	
7	6200VV	2	Ball Bearing 6200VVCMP2S		52	953158	1	Striking Guide	
8	953146	1	Inner Cover		53	949216	3	Machine Screw M4x10	10
9	986011	4	Tapping Screw D5x30		54	953043	2	Washer	
10	953053	1	Fan		55	953042	2	Metal	
11	953156	1	Dust Guide		56	995586	1	Idle Pulley Assembly (includes Item No. 55)	
12	953157	1	Dust Cover		57	949453	5	Lock Washer M4	10
13	949223	2	Machine Screw M4x25	10	58	949218	5	Machine Screw M4x14	10
14	957561	1	HITACHI Label		59	953155	1	Belt Cover	
15	953078	1	Dust Bag		60	953154	1	Pulley (B)	
16	932668	2	Set Screw M4x10 till 6 / 88		61	953153	1	Gear Cover	
16 A	938477	2	Set Screw M5x8 since 7 / 88		62	953152	1	Pinion	
17	987532	1	Pulley (A)		63	935522	1	Metsl	
18	995590	1	Housing Assembly (includes Item Nos. 16A, 47)		64	995576	1	Gear	
19	—	1	Name Plate		65	953175	2	Metal	
20	931701	1	Bearing Lock		66	953161	2	Washer	
21	629VVM	1	Ball Bearing 629VVMC2EPS2L		67	995577	1	Spring	
23	953174	2	Tapping Screw D5x55		68	939542	2	Retaining Ring D12	10
24	937631	1	Cord Clip		69	995587	1	Shaft	
25	984750	2	Tapping Screw D4x12		70	953063	1	Spring	
26	931573	1	Switch		71	944109	1	Feather Key	
27	954017	1	Tapping Screw D4x12		72	995585	1	Fork Assembly (includes Item No. 70)	
28	953169	1	Plate		73	954004	5	Tapping Screw D4x16	
29	953164	1	Handle Cover		74	958874	1	Belt	
30	981373	2	Tube (D)		75	995580	1	Shoe Plate	
31	958049Z	1	Cord Armor		76	995579	1	Shoe Cushion	
32	958705	1	Tapping Screw D4x25		77	939540	1	Retaining Ring D10	10
35	981373	1	Tube (D)		78	948213	1	Washer (B)	
37	971792	1	Slide Switch Cover		79	995581	1	Body Assembly (includes Item Nos. 63, 65)	
38	995582	1	Slide Switch		80	995575	1	Drive Pulley	
41	953308Z	1	Pillar Terminal (A)						
42	953250P	1	Diode						