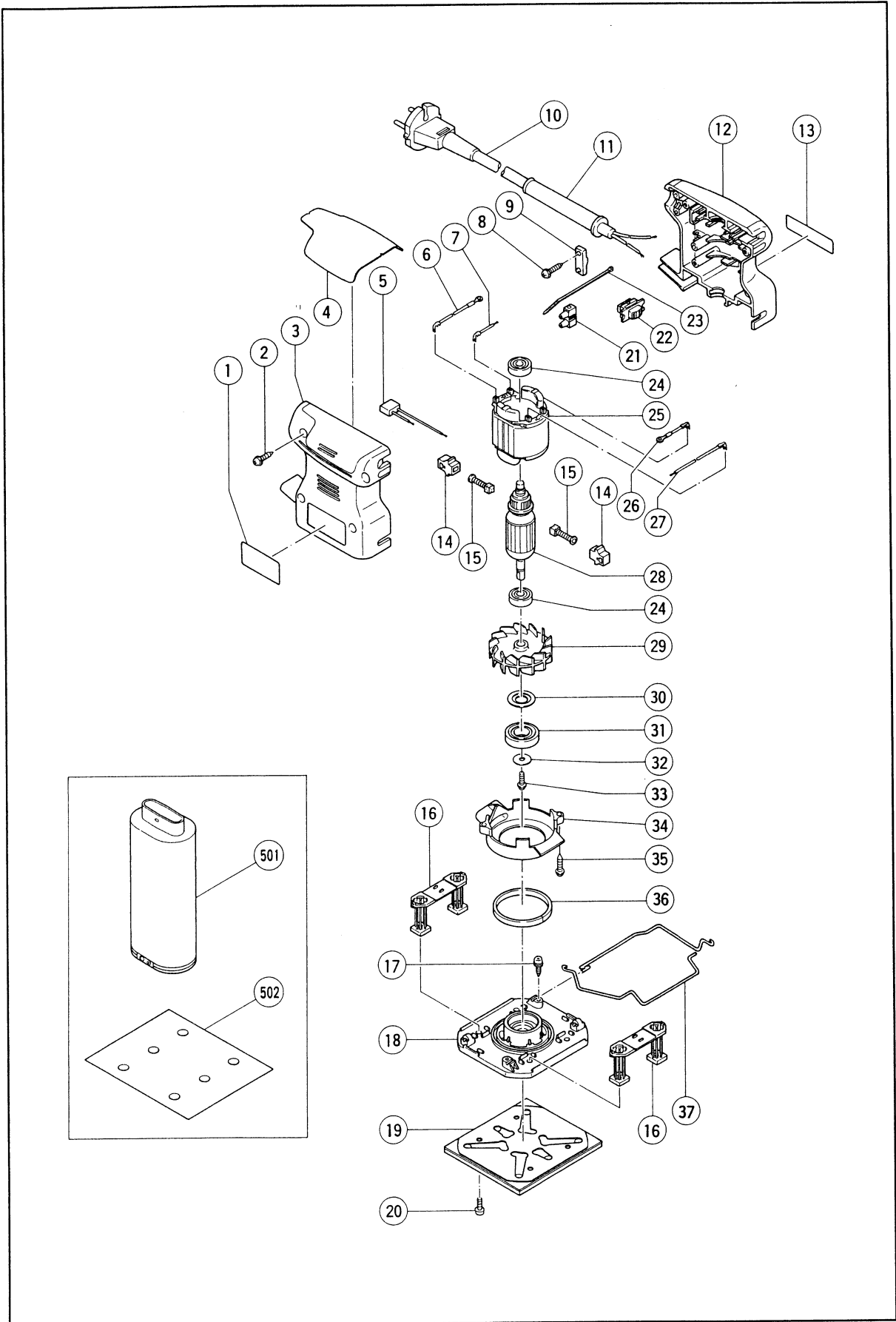


Assembly Diagram for SV 12SF



PARTS

SV 12SF

ITEM NO.	CODE NO.	DESCRIPTION	NO. USED	REMARKS
1		NAME PLATE		
2	301-653	TAPPING SCREW (W/FLANGE) D4X20 (BLACK)	4	
3	311-939	HOUSING (B)	1	
4	311-947	GRIP TAPE	1	
*	5	930-039	NOISE SUPPRESSOR	1 EXCEPT FOR USA
*	6	311-952	INTERNAL WIRE (BROWN)	1
*	6	312-362	INTERNAL WIRE (BROWN)	1 FOR USA
	7	311-949	TAB TERMINAL (BLUE)	1
	8	984-750	TAPPING SCREW (W/FLANGE) D4X16	2
	9	960-266	CORD CLIP	1
*	10	500-409Z	CORD	1 (CORD ARMOR D8.8)
*	10	500-240Z	CORD	1 (CORD ARMOR D10.1) FOR USA
*	10	500-228Z	CORD	1 (CORD ARMOR D8.8) FOR GBR (110V)
*	10	500-436Z	CORD	1 (CORD ARMOR D8.8) FOR GBR (230V)
*	10	500-226Z	CORD	1 (CORD ARMOR D8.8) FOR NZL
*	10	500-395Z	CORD	1 (CORD ARMOR D8.8) FOR SUI
*	11	953-327	CORD ARMOR D8.8	1
*	11	938-051	CORD ARMOR D10.1	1
	12	311-938	HOUSING (A)	1
	13		HITACHI LABEL	1
	14	930-483	BRUSH HOLDER	2
	15	999-041	CARBON BRUSH (1 PAIR)	2
	16	311-940	LEG	2
	17	311-945	TAPPING SCREW (W/FLANGE) D4X10 (BLACK)	2
	18	311-976	BASE	1
*	19	310-354	FELT PAD (PERFORATED)	1
*	19	310-355	PAD (PRESSURE SENSITIVE TYPE,PERFORATED)	1 FOR FRA,BEL,SUI
*	19	311-978	PAD (QUICK STICK TYPE,PERFORATED)	1 FOR USA
	20	949-216	MACHINE SCREW M4X10 (10 PCS.)	4
	21	938-307	PILLAR TERMINAL	1
	22	311-948	SLIDE SWITCH (1P SCREW TYPE)	1
*	23	310-480	WIRE BAND	1 EXCEPT FOR USA
	24	608-VVM	BALL BEARING 608VVMC2EPS2L	2
*	25	340-329C	STATOR 110V - 115V	1
*	25	340-329E	STATOR 220V - 230V	1
*	26	311-951	INTERNAL WIRE (BLUE)	1
*	26	312-361	INTERNAL WIRE (BLUE)	1 FOR USA
	27	311-950	TAB TERMINAL (BROWN)	1
*	28	360-369C	ARMATURE 110V - 115V	1
*	28	360-369E	ARMATURE 220V - 230V	1
	29	311-941	BALANCER FAN	1
	30	993-052	DUST WASHER	1
	31	600-1DD	BALL BEARING 6001DDUCMPS2S	1
	32	875-249	THRUST WASHER	1
	33	997-411	MACHINE SCREW (W/WASHERS) M4X12	1
	34	311-942	FAN GUIDE	1
	35	956-384	TAPPING SCREW D4X20	2
	36	311-946	FELT	1
	37	311-977	PAPER CLIP	2

