

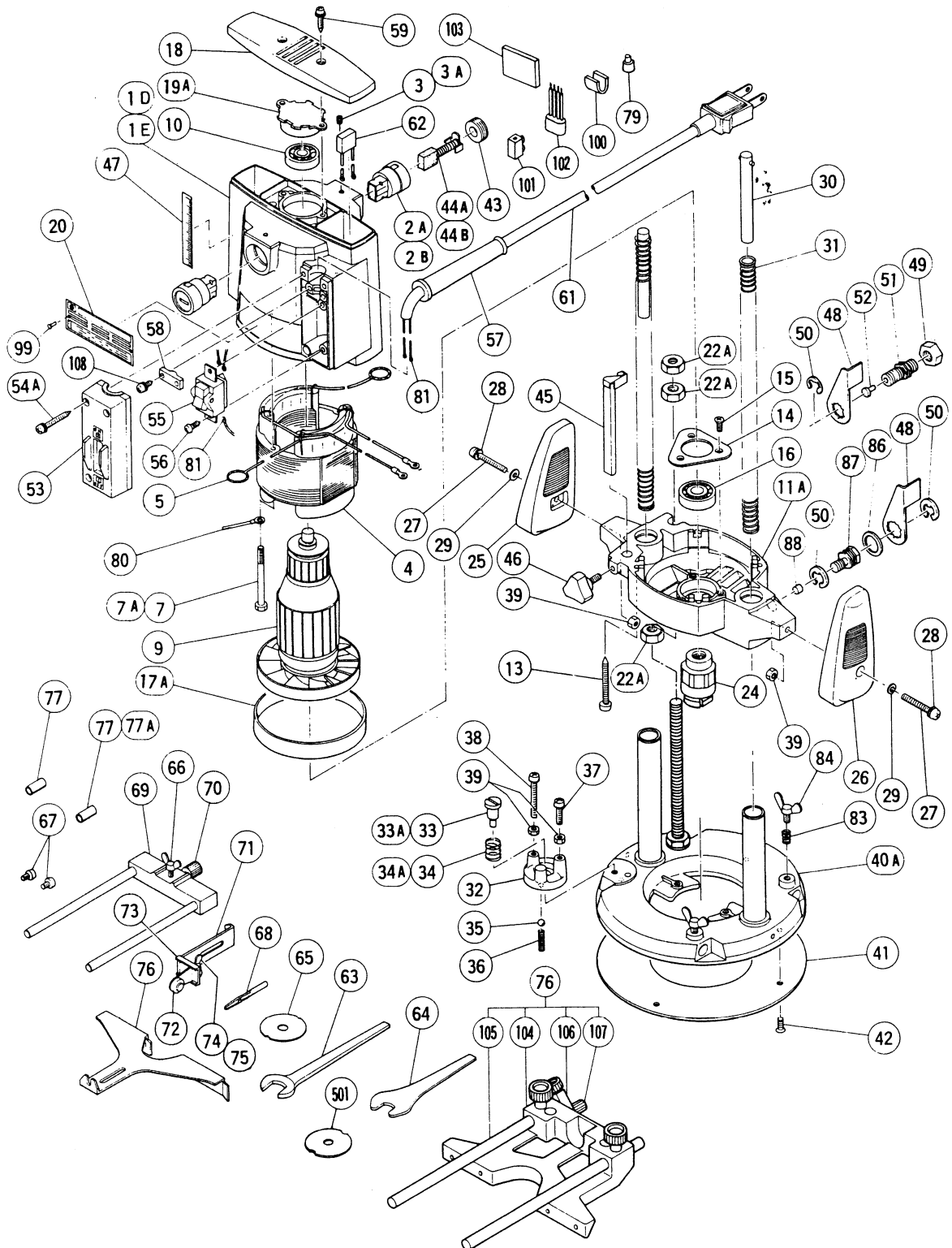
HITACHI

LIST NO. 0622

ELECTRIC TOOL PARTS LIST

■ TRIMMER
Model TR-12

1994 · 3 · 3
(E11)



PARTS

TR-12

ITEM NO.	CODE NO.	DESCRIPTION	NO. USED	REMARKS
* 1D	997-460	HOUSING ASS'Y	1	INCLUD.2B,3A,7A
* 1D	997-461	HOUSING ASS'Y	1	INCLUD.2B,3A,7A FOR USA
* 1E	997-462	HOUSING ASS'Y	1	INCLUD.2B,3A,7A FOR AUT
* 2A	953-123Z	BRUSH HOLDER	2	TILL 12.1983 FOR AUT
* 2B	986-773	BRUSH HOLDER	2	SINCE 7.1983
* 2B	986-774	BRUSH HOLDER	2	SINCE 1.1984 FOR AUT
3	949-365	SLOTTED HD. SET SCREW M4X5 (10 PCS.)	2	TILL 10.1985
3A	938-477	HEX. SOCKET SET SCREW M5X8	2	SINCE 11.1985
* 4	956-762C	STATOR ASS'Y 110V - 115V	1	INCLUD.5
* 4	956-762D	STATOR ASS'Y 120V - 127V	1	INCLUD.5
* 4	956-762E	STATOR ASS'Y 220V - 230V	1	INCLUD.5
* 4	956-762F	STATOR ASS'Y 240V	1	INCLUD.5
* 4	956-762G	STATOR ASS'Y 230V	1	INCLUD.5 FOR NZL
* 4	956-935G	STATOR ASS'Y 230V	1	INCLUD.6 FOR SAF
* 4	956-935F	STATOR ASS'Y 240V	1	INCLUD.5 FOR GBR
* 4	956-935C	STATOR ASS'Y 110V - 115V	1	INCLUD.5 FOR GBR
5	998-744	BRUSH TERMINAL	2	
7	956-763	BOLT (+HD.) M5X60	2	TILL 7.1986
7A	960-251	HEX. HD. TAPPING SCREW D5X65	1	SINCE 8.1986
* 9	956-766U	ARMATURE ASS'Y 110V - 115V	1	INCLUD.10,16
* 9	956-766D	ARMATURE 120V - 127V	1	
* 9	956-766E	ARMATURE 220V - 230V	1	
* 9	956-766F	ARMATURE 240V	1	
10	620-0VV	BALL BEARING 6200VVCMP2S	1	
11A	997-464	END BRACKET ASS'Y	1	INCLUD.50,86,87,88
13	956-669	TAPPING SCREW D5X55	4	
14	956-768	BEARING COVER	1	
15	949-322	FLAT HD. SCREW M4X10 (10 PCS.)	3	
16	620-1VV	BALL BEARING 6201VVCMP2S	1	
17A	956-938	INSULATION RING (B)	1	
* 18	956-770	END COVER	1	
* 18	956-819	END COVER	1	FOR CAN
19A	961-443	BEARING BUSHING	1	
* 20		NAME PLATE	1	
22A	949-572	LOCK NUT M10 (10 PCS.)	3	
* 24	956-920	COLLET CHUCK 12MM	1	
* 24	956-926Z	COLLET CHUCK 1/2"	1	
* 24	956-912	COLLET CHUCK 10MM	1	FOR SUI,FRA
* 24	956-911	COLLET CHUCK (A) 1/2"	1	FOR USA
25	956-776	HANDLE (L)	1	
26	956-777	HANDLE (R)	1	
27	949-247	MACHINE SCREW M5X35 (10 PCS.)	2	
28	949-454	SPRING WASHER M5 (10 PCS.)	2	
29	949-431	BOLT WASHER M5 (10 PCS.)	2	
30	956-778	SPRING GUIDE	2	
31	956-779	SPRING	2	
32	956-780	STOPPER BLOCK	1	
33	956-781	SET BOLT	1	TILL 2.1987
33A	997-465	SELF TAPPING SCREW (W/WASHER) D4X12	1	SINCE 3.1987
34	956-818	SPRING (A)	1	TILL 2.1987
34A	971-858	SPRING (A)	1	SINCE 3.1987

*: ALTERNATIVE PARTS

PARTS

TR-12

ITEM NO.	CODE NO.	DESCRIPTION	NO. USED	REMARKS
35	959-150	STEEL BALL D6.35 (10 PCS.)	1	TILL 2.1987
36	955-356	SPRING	1	TILL 2.1987
37	949-241	MACHINE SCREW M5X20 (10 PCS.)	1	
38	949-248	MACHINE SCREW M5X40 (10 PCS.)	1	
39	949-555	NUT M5 (10 PCS.)	4	
40A	997-463	BASE ASS'Y	1	INCLUD.33A,34A
41	956-783	SUB BASE	1	
42	949-331	FLAT HD. SCREW M5X10 (10 PCS.)	4	
* 43	940-540	BRUSH CAP	2	
* 43	937-949	BRUSH CAP	2	FOR AUT
44A	999-038	CARBON BRUSH (1 PAIR)	2	TILL 6.1983
44B	999-038	CARBON BRUSH (1 PAIR)	2	SINCE 7.1983
45	956-784	STOPPER POLE	1	
46	958-573	KNOB SCREW M5	1	
* 47	956-785	SCALE (MM)	1	
* 47	956-775P	SCALE (INCH)	1	
48	956-786	LOCK LEVER	1	
49	946-541	U - NUT M12	1	TILL 2.1987
50	670-514	RETAINING RING (E - TYPE) FOR D10 SHAFT	2	
51	956-787	LOCK SCREW	1	TILL 2.1987
52	956-921	LOCK PIN	1	MADE OF BRASS TILL 2.1987
53	956-788	SWITCH COVER	1	
54A	306-999	TAPPING SCREW (W/FLANGE) D4X25	3	
* 55	956-789	SWITCH (2P SCREW TYPE)	1	
56	958-715	TAPPING SCREW D4X10	2	
57	936-422	CORD ARMOR D10.8	1	
58	937-631	CORD CLIP	1	
59	930-446	TAPPING SCREW (W/WASHER) D4X16	2	
* 61	500-212Z	CORD	1	(CORD ARMOR D10.8)FOR ASIA
* 61	500-214Z	CORD	1	(CORD ARMOR D10.8)FOR ASIA
* 61	500-223Z	CORD	1	(CORD ARMOR D10.8)FOR SIN
* 61	500-226Z	CORD	1	(CORD ARMOR D10.8)FOR OCEANIA
* 61	500-231Z	CORD	1	(CORD ARMOR D10.8)FOR SAF
* 61	500-234Z	CORD	1	(CORD ARMOR D10.8)FOR EUROPE
* 61	500-241Z	CORD	1	(CORD ARMOR D10.8)FOR USA
* 61	500-420Z	CORD	1	(CORD ARMOR D10.8)FOR SAU (127V)
* 61	500-423Z	CORD	1	(CORD ARMOR D10.8)FOR SAU (220V)
* 62	994-273	NOISE SUPPRESSOR	1	
* 62	500-258Z	NOISE SUPPRESSOR	1	FOR NZL,SAF
63	956-922	WRENCH 23MM	1	
64	956-923	WRENCH 21MM	1	
* 65	956-790	TEMPLATE GUIDE D18	1	
* 65	956-933	TEMPLATE GUIDE D27	1	(TILL 9.1987 FOR FRG)
66	949-394	WING BOLT M6X10 (10 PCS.)	1	
67	949-234	MACHINE SCREW M5X6 (10 PCS.)	2	
* 68	956-808	STRAIGHT BIT (TCT) D8X8	1	FOR 12MM COLLET CHUCK
* 68	956-817Z	STRAIGHT BIT (TCT) D1/2"X1/2"	1	FOR 1/2" COLLET CHUCK
69	956-792	BAR HOLDER	1	
70	956-793	FEED SCREW	1	
71	956-794	TRIMMER GUIDE	1	INCLUD. 72 - 75
72	956-795	ROLLER	1	

*: ALTERNATIVE PARTS

