

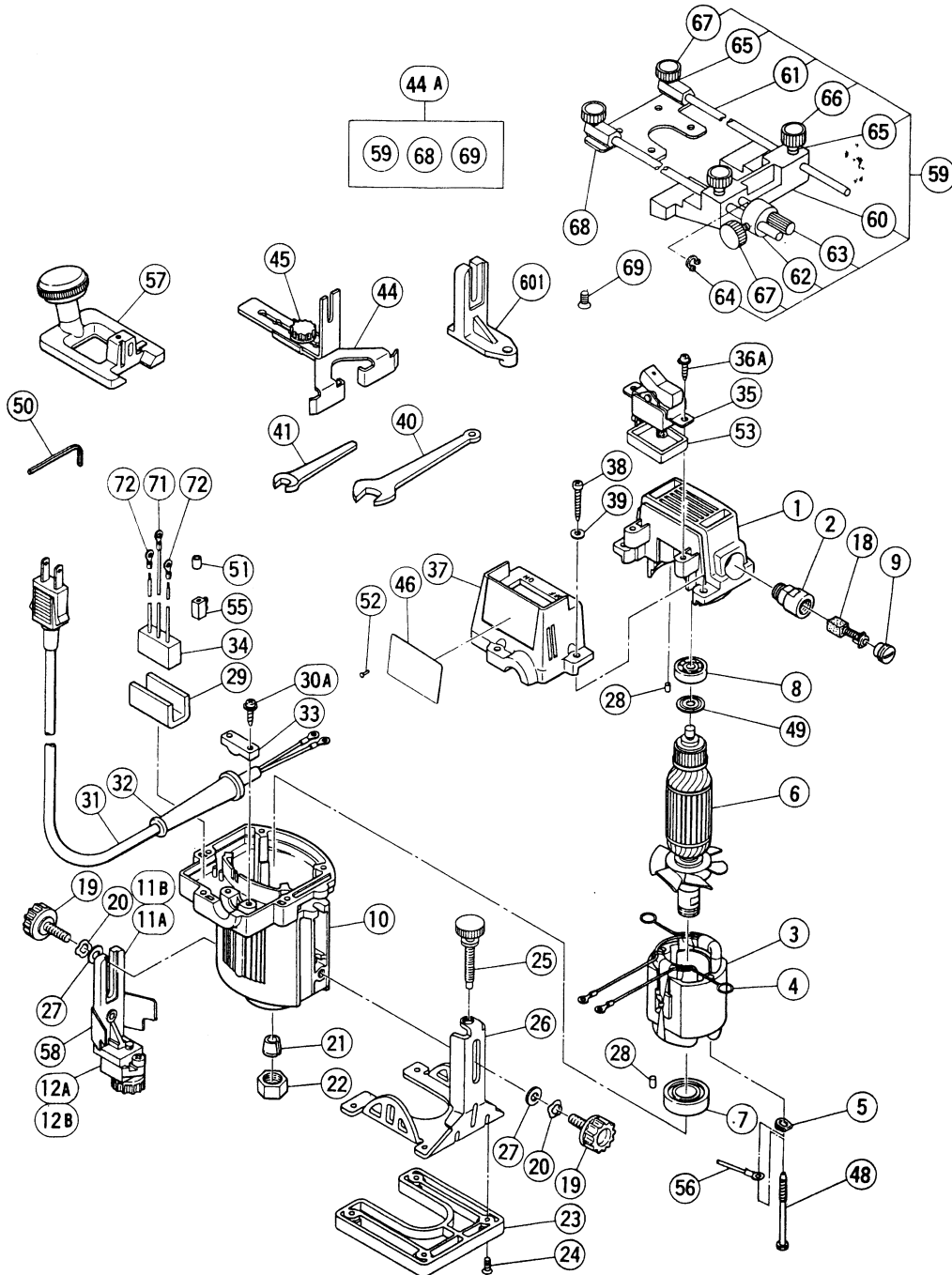
ELECTRIC TOOL PARTS LIST

■ TRIMMER

Model TR - 6

1993 · 9 · 3

(E7)



PARTS

TR-6

ITEM NO.	CODE NO.	DESCRIPTION	NO. USED	REMARKS
1	960-080	REAR COVER ASS'Y	1	INCLUD.2
2	937-846	BRUSH HOLDER	2	
* 3	960-083C	STATOR ASS'Y 110V - 115V	1	INCLUD.4
* 3	960-083D	STATOR ASS'Y 120V - 127V	1	INCLUD.4
* 3	960-083E	STATOR ASS'Y 220V - 230V	1	INCLUD.4
* 3	960-083F	STATOR ASS'Y 240V	1	INCLUD.4
* 3	960-084L	STATOR ASS'Y 220V	1	INCLUD.4 FOR EUROPE
* 3	960-083G	STATOR ASS'Y 230V	1	INCLUD.4 FOR NZL
* 3	960-084M	STATOR ASS'Y 230V	1	INCLUD.4 FOR SAF
* 3	960-083H	STATOR ASS'Y 240V	1	INCLUD.4 FOR AUS
* 3	960-083J	STATOR ASS'Y 110V	1	INCLUD.4 FOR GBR
4	930-630	BRUSH TERMINAL	2	
* 5	957-592	EARTH WASHER D4	1	TILL 1.1987
* 6	960-085U	ARMATURE ASS'Y 110V - 115V	1	INCLUD.7,8,49
* 6	960-085D	ARMATURE 120V - 127V	1	
* 6	960-085F	ARMATURE 220V - 240V	1	
7	600-2VV	BALL BEARING 6002VVCMP2S	1	
8	627-VVM	BALL BEARING 627VVMC2EPS2S	1	
9	937-847	BRUSH CAP	2	
10	960-087	HOUSING	1	
* 11A	960-088	TRIMMER GUIDE ASS'Y	1	INCLUD.12A,58
* 11B	960-125Z	TRIMMER GUIDE ASS'Y	1	INCLUD.12B,58 FOR FRA,SUI
* 12A	960-116	GUIDE PIN	1	
* 12B	960-126Z	GUIDE PLATE (B)	1	FOR FRA,SUI
18	999-021	CARBON BRUSH (1 PAIR)	2	
19	960-058	KNOB BOLT M6X17	2	
20	960-092	WAVE WASHER	2	
* 21	960-095	COLLET CONE 6MM	1	
* 21	960-114Z	COLLET CONE 6.35MM	1	
22	960-096	COLLET NUT	1	
23	960-097	SUB BASE	1	
24	949-321	FLAT HD. SCREW M4X8 (10 PCS.)	4	
25	960-098	SCREW (A)	1	
26	960-099	BASE	1	
27	949-425	WASHER M6 (10 PCS.)	1	
28	931-701	BEARING LOCK	2	
* 29	930-153	SUPPORT (B)	1	FOR NOISE SUPPRESSOR
30A	984-750	TAPPING SCREW (W/FLANGE) D4X16	2	
* 31	500-212Z	CORD	1	(CORD ARMOR D8.8) FOR ASIA
* 31	500-223Z	CORD	1	(CORD ARMOR D10.1) FOR SIN
* 31	500-226Z	CORD	1	(CORD ARMOR D8.8) FOR OCEANIA
* 31	500-231Z	CORD	1	(CORD ARMOR D8.8) FOR SAF
* 31	500-234Z	CORD	1	(CORD ARMOR D8.8) FOR EUROPE
				(W/O TERMINAL)
* 31	500-241Z	CORD	1	(CORD ARMOR D8.8) FOR USA
* 31	960-112Z	CORD	1	(CORD ARMOR D8.8) FOR HOL
* 31	960-113Z	CORD	1	(CORD ARMOR D8.8) FOR SUI
* 31	971-676Z	CORD	1	(CORD ARMOR D8.8) FOR EUROPE
				(W/TUBE(D))
* 32	953-327	CORD ARMOR D8.8	1	
* 32	938-051	CORD ARMOR D10.1	1	

*: ALTERNATIVE PARTS

9 - 93

