



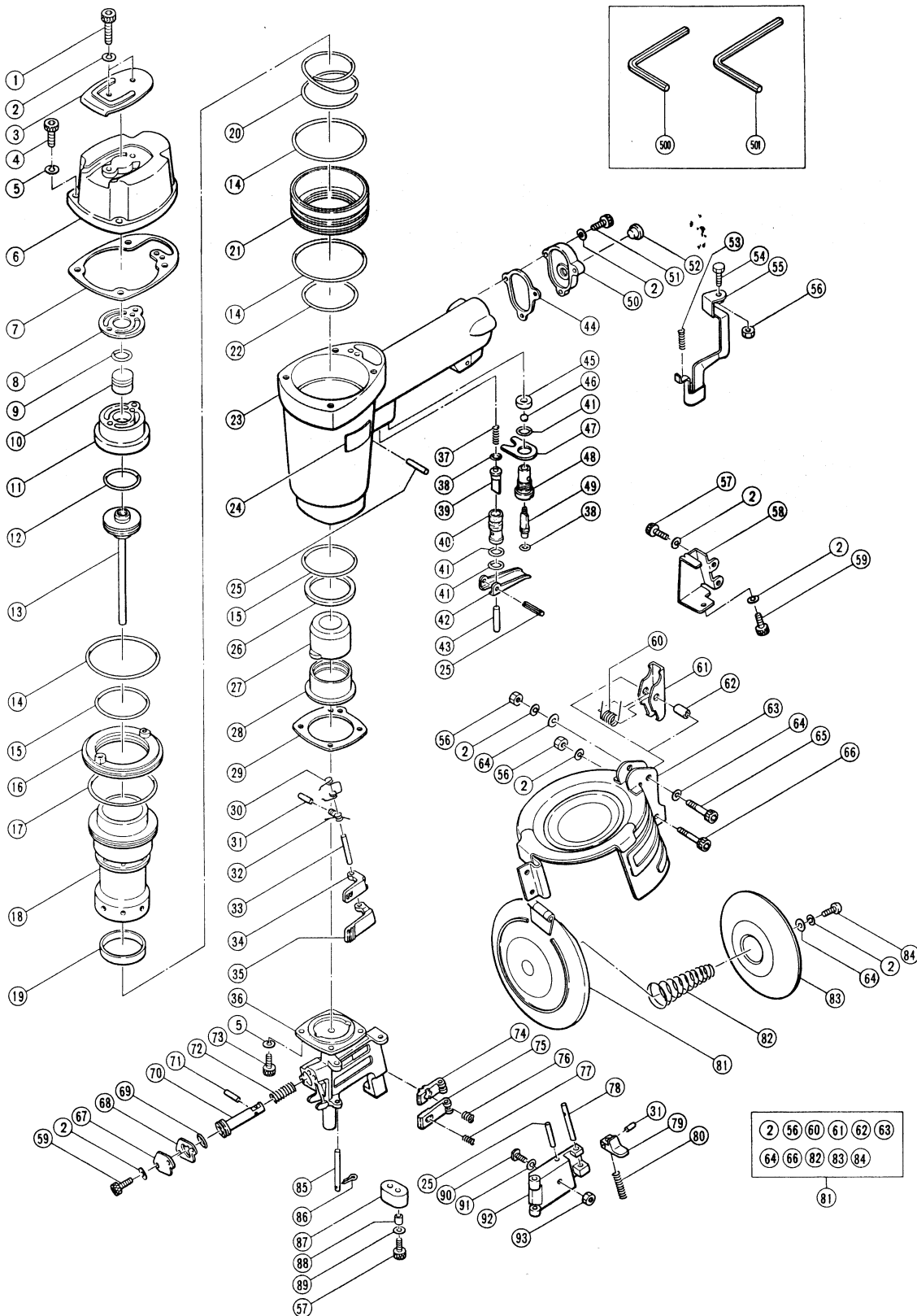
PNEUMATIC TOOL PARTS LIST

■ NAILER

Type VH-650

1981·7·10

VH-650(E1)



PARTS

VH-650(E1)

Item No.	Code No.	Parts Name	Q'ty	Remarks			
1	876445	Hexagon Socket Hd. Bolt M5 x 35	2				
2	949454Z	Spring Lock Washer	13	for M5 (10 pcs.)			
3	876444	Top Cover	1				
4	949652Z	Hexagon Socket Hd. Bolt M6 x 25	4	(10 pcs.)			
5	949455Z	Spring Lock Washer	8	for M6 (10 pcs.)			
6	876746P	Exhaust Cover (B) Ass'y	1				
7	876747P	Packing (F)	1				
8	876749P	Packing (G)	1				
9	872821	Valve O-ring	2				
10	875621	Valve Rubber Ass'y	1				
11	876748P	Head Cap (B) Ass'y	1				
12	931835	O-ring (P36)	2				
13	876734	Piston Ass'y	1				
14	874104	Cylinder O-ring	3				
15	875602	Cylinder O-ring	2				
16	876435	Cylinder Plate	1				
17	876432	Cylinder O-ring (A)	1				
18	876732	Cylinder	1				
19	876434	Cylinder Ring	1				
20	875605	Cylinder Spring	1				
21	876731	Cylinder Guide	1				
22	876433	Cylinder O-ring (B)	1				
23	876745P	Body (B) Ass'y	1				
24	—	Name Plate	1				
25	874207	Roll Pin D3 x 30	3				
26	876733	Cylinder Damper	1				
27	876437	Piston Damper	1				
28	876600	Damper Ring	1				
29	876737	Packing (A)	1				
30	876690	Main Feeder Spring	1				
31	949776Z	Roll Pin D3 x 10	2	(10 pcs.)			
32	876691	Sub Feeder Spring	1				
33	876689	Feeder Shaft	1				
34	876688	Main Feeder	1				
35	876707	Sub Feeder	1				
36	876736	Tail Cover Ass'y	1				
37	875643	Plunger Spring	1				
38	874820	Plunger O-ring	2				
39	876739	Safety Plunger (A)	1				
40	876735	Safety Valve Bush	1				
41	875638	O-ring (S-12)	3				
42	876203	Trigger	1				
43	875642	Safety Plunger (B)	1				
44	876447	Packing (D)	1				
45	875637	Valve Packing	1				
46	875645	Urethan Ball (B) D7.14	1				
47	875644	Valve Plate	1				
48	876738	Trigger Valve Bush	1				
49	875639	Trigger Plunger	1				
50	877050Z	Cap	1				
51	949757Z	Hexagon Socket Hd. Bolt M5 x 20	3	(10 pcs.)			
52	872035	Dust Cap	1				
53	876676	Safety Spring	1				

PARTS

VH-650(E1)

Item No.	Code No.	Parts Name	Q'ty	Remarks			
54	875650	Safety Bolt	1				
55	876740	Safety Ass'y	1				
56	949555Z	Nut	3	for M5 (10 pcs.)			
57	949765Z	Hexagon Socket Hd. Bolt M5 x 12	3	(10 pcs.)			
58	876696	Safety Guard	1				
59	956634	Hexagon Socket Hd. Bolt M5 x 10	3				
60	876703	Magazine Lock Spring	1				
61	876702	Magazine Stopper	1				
62	876743	Collar	1				
63	876742	Magazine Primary Ass'y	1				
64	876205	Washer	3				
65	949664Z	Hexagon Socket Hd. Bolt M5 x 30	1	(10 pcs.)			
66	949662Z	Hexagon Socket Hd. Bolt M5 x 25	1	(10 pcs.)			
67	876694	Feed Piston Cover	1				
68	876695	Packing (E)	1				
69	873095	O-ring (P-16)	1				
70	876692	Feed Piston	1				
71	949551Z	Roll Pin D2.5 x 10	1	(10 pcs.)			
72	876693	Feed Spring	1				
73	949660Z	Hexagon Socket Hd. Bolt	4	(10 pcs.)			
74	876678	Main Nail Stopper	1				
75	876679	Sub Nail Stopper	1				
76	876681	Main Stopper Spring	1				
77	876685	Sub Stopper Spring	1				
78	876682	Lock Shaft	1				
79	876683	Guide Lock	1				
80	876684	Spring	1				
81	876741	Magazine Ass'y	1	includ. 2, 56, 60 ~ 64, 66, 82 ~ 84.			
82	876701	Holder Spring	1				
83	876700	Nail Holder	1				
84	876705	Hexagon Socket Hd. Screw M5 x 10	1				
85	876687	Nail Guide Shaft	1				
86	949534Z	Split Cotter Pin D2 x 15	1	(10 pcs.)			
87	876697	Guard Damper	1				
88	876706	Damper Collar	1				
89	949431Z	Bolt Washer	1	for M5 (10 pcs.)			
90	876680	Stopper Bolt	1				
91	876686	Thrust Washer	2				
92	876677	Nail Guide	1				
93	874780	Nylon Nut	1	for M3			

STANDARD ACCESSORIES

Item No.	Code No.	Parts Name	Q'ty	Remarks			
500	944458	Hexagon Bar Wrench	1	for M5 Screw			
501	944459	Hexagon Bar Wrench	1	for M6 Screw			

OPTIONAL ACCESSORIES

Item No.	Code No.	Parts Name	Q'ty	Remarks			
	876720	Drive Controller	1				
	874116	6mm Air Socket	1				

