

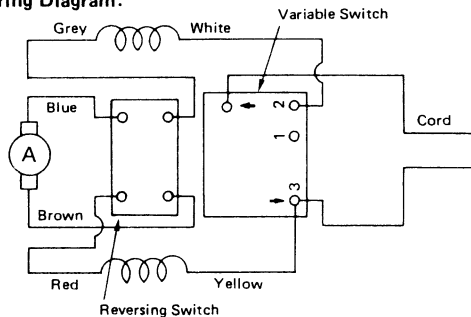
Lubrication:

Apply NIPPECO SEP-3A PART NO. 930035 to the pinion gear portion of the Armature (16), outer surfaces of the Gear Shaft (10), the teathed and ratchet portions of the Gear (11), the inner and outer surfaces and ratchet portion of Socket (7) and Clutch Disk (8).

Tightening Torques:

- D4 x 20 Tapping Screw (W/FLANGE)
..... 13.0 ~ 21.7 lbs.-in
- D4 x 35 Tapping Screw (W/FLANGE)
..... 13.0 ~ 21.7 lbs.-in
- D4 x 50 Tapping Screw (W/SP. WASHER)
..... 13.0 ~ 21.7 lbs.-in.

Wiring Diagram:



Insulation Tests:

Insulation Resistance:

7 MΩ or more with 500V DC Megohm Tester.

Dielectric Strength:

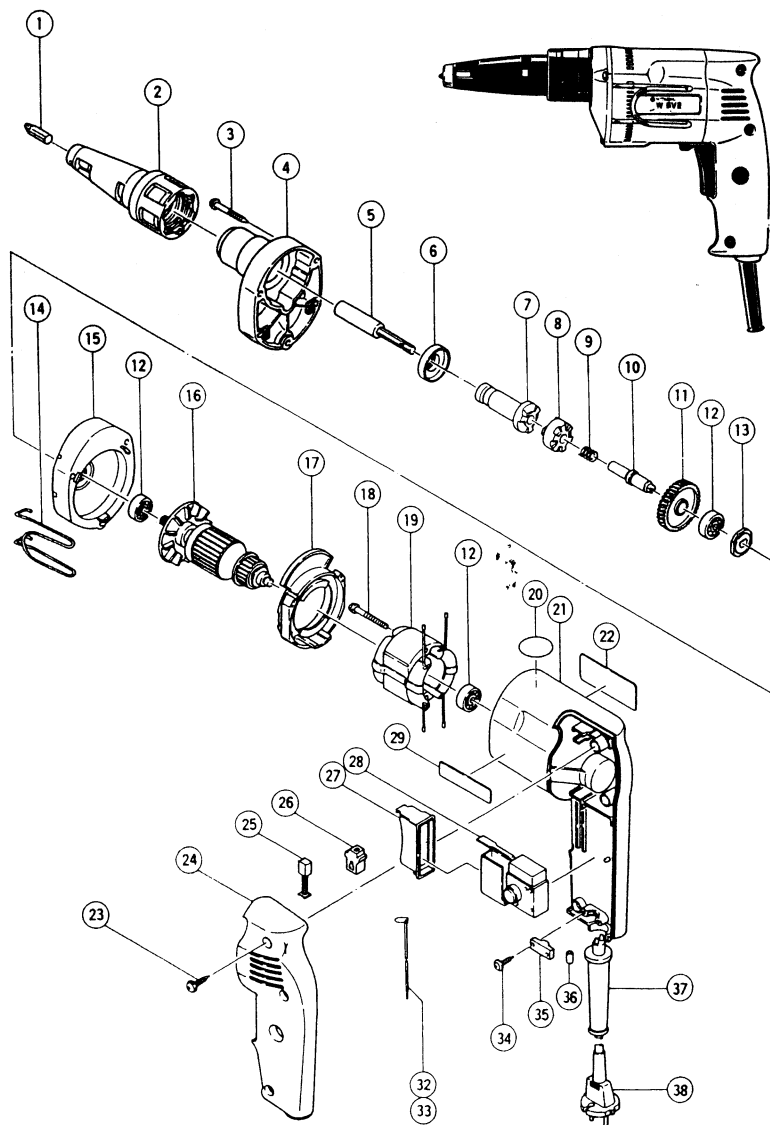
AC 2500V/1 minute, with no abnormalities.

No-load Current Value:

1.8A ~ 2.3A

After no-load operation for 30 minutes, the no-load current value should be as specified below at a frequency of 50/60 Hz.

IMPORTANT-To assure product SAFETY and RELIABILITY, repairs, maintenance or adjustments should be performed by HITACHI Service Centers or other qualified service organizations. Always use HITACHI replacement parts.



ITEM NO.	PART NO.	NO. USED	DESCRIPTION	SUPPLY Q'TY	ITEM NO.	PART NO.	NO. USED	DESCRIPTION	SUPPLY Q'TY
1	971511Z	1	+ DRIVER BIT (A) NO.2 25L		19	340224J	1	STATOR	
2	982555Z	1	LOCATOR (A)		21	303684	1	HOUSING	
3	303694	3	TAPPING SCREW (W / FLANGE) D4x35		22	305019	1	NAME PLATE	
4	303693	1	GEAR COVER		23	301653	3	TAPPING SCREW (W / FLANGE) D4x20	
5	982554Z	1	MAGNETIC BIT HOLDER		24	303695	1	HANDLE COVER	
6	971468	1	FRINGER (A)		25	999080Z	2	CARBON BRUSH (AUTO STOP TYPE)	2
7	303692	1	SOCKET		26	930483	2	BRUSH HOLDER	
8	303691	1	CLUTCH DISC		27	303696	1	SWITCH RUBBER COVER	
9	303690	1	SPRING		28	303697	1	SWITCH (J) (2P PILLAR TYPE) W / LOCK	
10	303689	1	GEAR SHAFT		29		1	HITACHI LABEL	
11	303688	1	GEAR (A)		32	303699	1	INTERNAL WIRE CHOKE COIL	
12	608VVM	3	BALL BEARING 608VVMC2EPS2L		33	303701	1	INTERNAL WIRE CHOKE COIL	
13	303687	1	WASHER (A)		34	984750	2	TAPPING SCREW (W / FLANGE) D4x16	
14	950511	1	HOOK		35	937631	1	CORD CLIP	
15	303686	1	INNER COVER		36	981373	2	TUBE (D)	
16	360210U	1	ARMATURE ASS'Y mclud 12		37	953327	1	CORD ARMOR D8.8	
17	303685	1	FAN GUIDE		38	500240Z	1	CORD	
18	992631	2	TAPPING SCREW (W / SP.WASHER) D4x50						