

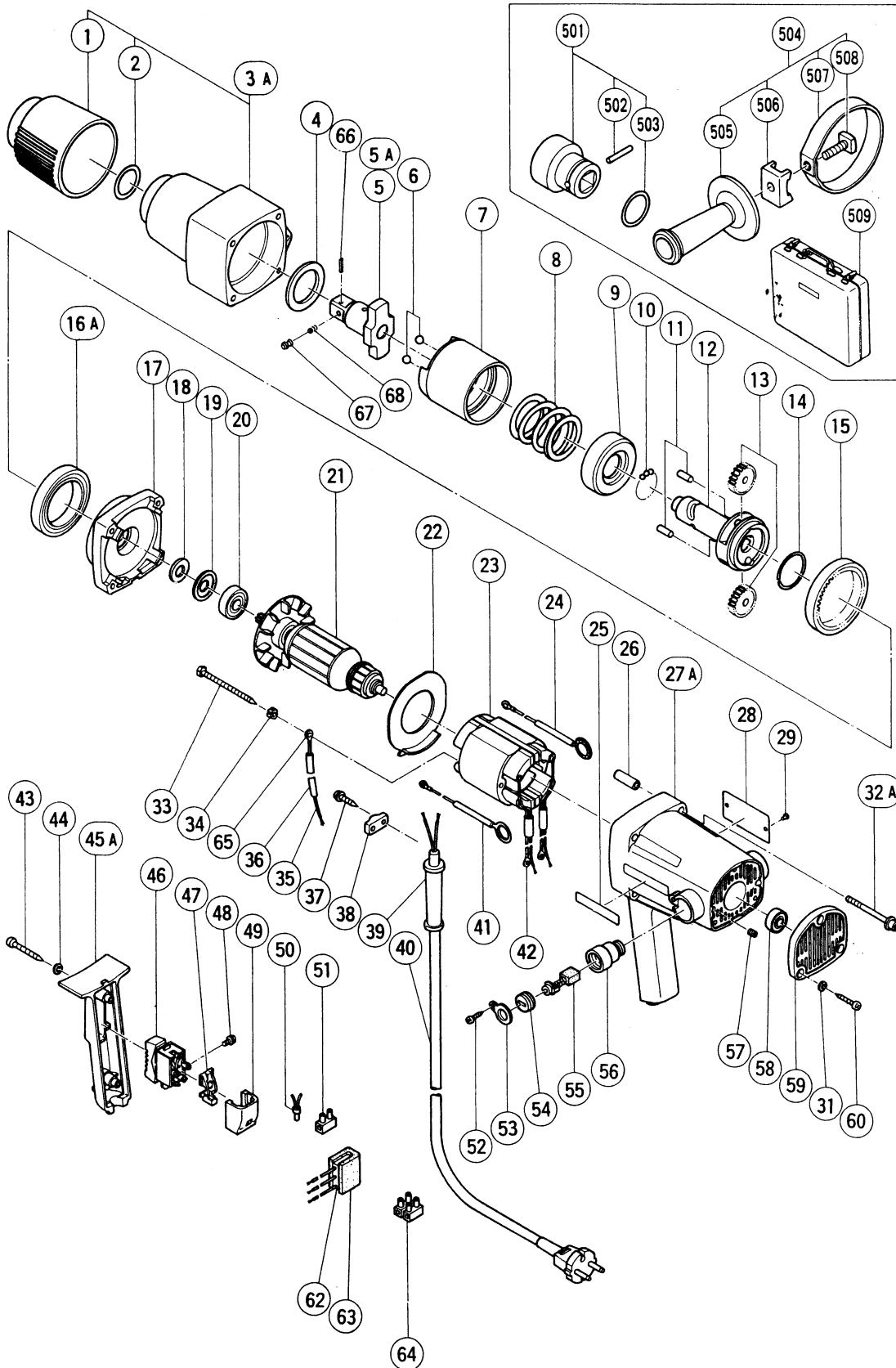
ELECTRIC TOOL PARTS LIST

■ IMPACT WRENCH

1990·2·23

Model WH 22

WH 22(E3)



PARTS

WH 22

ITEM NO.	CODE NO.	DESCRIPTION	NO. USED	REMARKS	
1	985-295	BUMPER	1		
2	971-028	O-RING (P-28)	1		
3A	985-279	HAMMER CASE ASS'Y	1	INCLUD.1,2	
4	971-029	WASHER (A)	1	TILL 5.1987	
*	5	985-294	ANVIL (A)	1	
*	5A	992-570	ANVIL (B) ASS'Y	1	INCLUD.66-68 FOR AUS
6	959-151	STEEL BALL D7.14 (10 PCS.)	2		
7	985-278	HAMMER	1		
8	985-277	SPRING	1		
9	985-276	SPRING SHEET	1		
10	959-155	STEEL BALL D3.97 (10 PCS.)	22		
11	971-016	GEAR SHAFT	2		
12	985-275	SPINDLE (B)	1		
13	971-014	IDLE GEAR	2		
14	971-027	CLIP (A)	1		
15	971-025	RING GEAR	1		
16A	691-0ZZ	BALL BEARING 6910ZZC2PS2S	1		
17	985-274	INNER COVER	1		
18	971-011	FELT PACKING	1		
19	971-012	PACKING WASHER	1		
20	620-0VV	BALL BEARING 6200VVCMP2S	1		
*	21	985-284U	ARMATURE ASS'Y 110V-115V	1	INCLUD.20,58
*	21	985-284D	ARMATURE 120V-127V	1	
*	21	985-284E	ARMATURE 220V-230V	1	
*	21	985-284F	ARMATURE 240V	1	
*	21	985-284G	ARMATURE 110V	1	FOR GBR
*	21	985-284H	ARMATURE 220V-230V	1	FOR SAF,FRA,HOL,DEN,FIN,SWE,AUT,ITA
*	21	985-284J	ARMATURE 240V	1	FOR GBR
22	985-273	FAN GUIDE	1		
*	23	985-282C	STATOR ASS'Y 110V-115V	1	INCLUD.42
*	23	985-282D	STATOR ASS'Y 120V-127V	1	INCLUD.42
*	23	985-282E	STATOR ASS'Y 220V-230V	1	INCLUD.42
*	23	985-282F	STATOR ASS'Y 240V	1	INCLUD.42
*	23	985-282G	STATOR ASS'Y 220V-230V	1	INCLUD.42 FOR NZL,HOL,DEN,FRA,ITA
*	23	985-282H	STATOR ASS'Y 110V	1	INCLUD.42 FOR GBR
*	23	985-282J	STATOR ASS'Y 220V-230V	1	INCLUD.42 FOR SAF,FIN,SWE,AUT
*	23	985-282K	STATOR ASS'Y 240V	1	INCLUD.42 FOR GBR
*	24	985-285	INTERNAL WIRE	1	
*	24	985-287	INTERNAL WIRE	1	FOR USA,CAN
25	957-561	HITACHI LABEL	1		
26	985-271	COLLAR	4		
27A	985-298	HOUSING ASS'Y	1	INCLUD.26,56,57	
28		NAME PLATE	1		
*	29	932-642	RIVET D2.5X2.8	2	FOR CAN
31	949-454	SPRING WASHER M5 (10 PCS.)	3		
32A	985-300	HEX. SOCKET HD. BOLT (W/FLANGE) M5X60	4		
33	961-400	HEX. HD. TAPPING SCREW D5X70	2		
34	956-764	SPECIAL WASHER	2		
*	35	986-277	INTERNAL WIRE	1	FOR FIN
*	36	985-194	TUBE 2.5MM	1	FOR NZL,GBR,SAF,FRG,FRA,HOL,DEN,FIN,SWE,AUT
37	930-446	TAPPING SCREW (W/WASHER) D4X16	2		
38	937-631	CORD CLIP	1		

