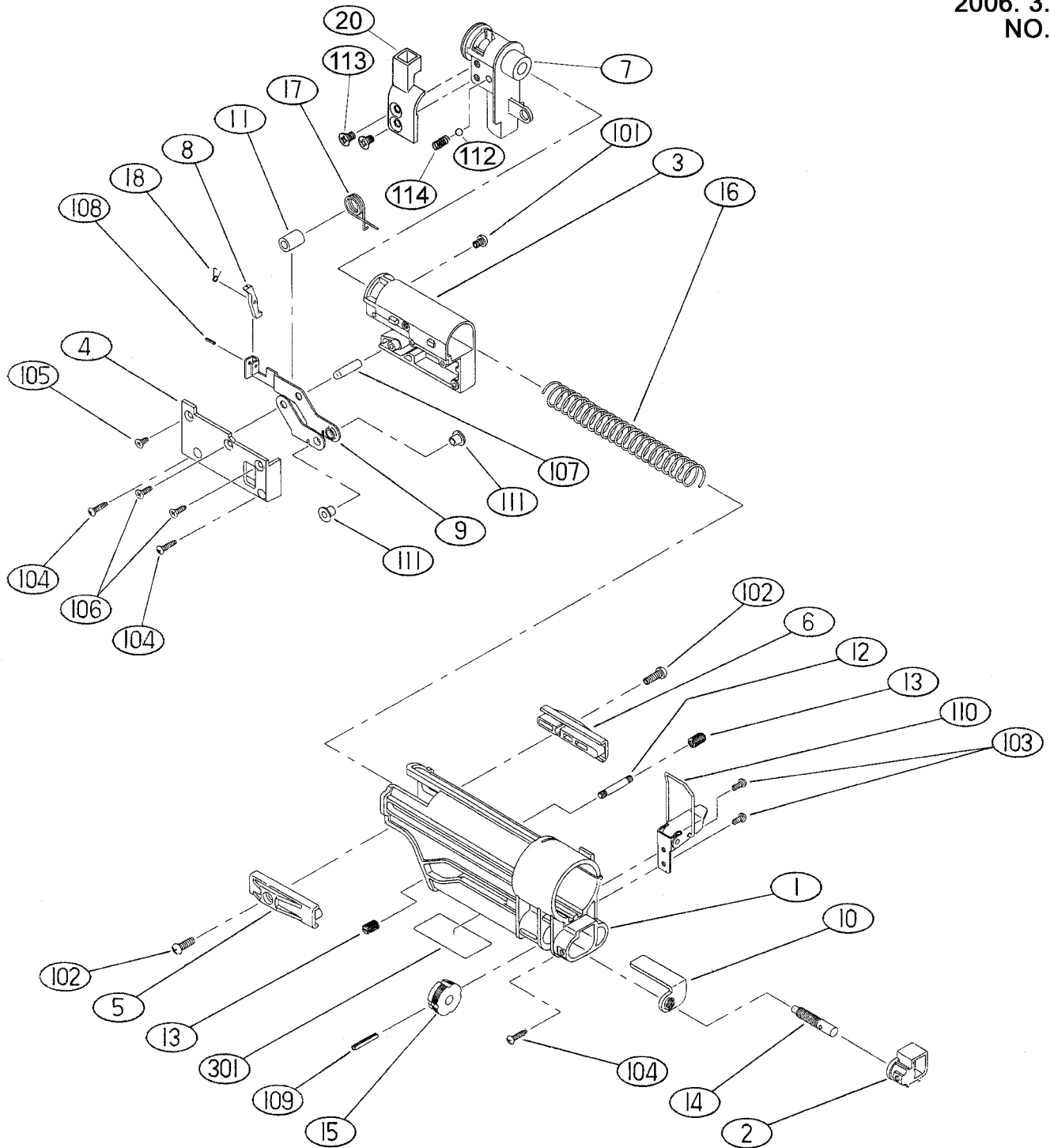


CH7219U

2006. 3. 9
NO. 1





CH7219U PARTS LIST

Call Muro at 1-800-665-6876 for pricing information

1 / 1
10-Mar-06

Draw No.	Part No.	Order Code	Description	Q'ty
1	1	163-10011	Slide Flame	1
2	2	163-10021	Adjusting Cover	1
3	3	163-10031	Feeder Case	1
4	4	163-10041	Feeder Cover	1
5	5	163-10051	Slide Guide (L)	1
6	6	163-10061	Slide Guide (R)	1
7	7	166-10071	Screw guide CH7219	1
8	8	163-60080	Feed Latch (MIM)	1
9	9	163-10090	Feed Lever	1
10	10	166-10100	Stopper Plate for 7219	1
11	11	163-10110	Feed Lever Collar	1
12	12	163-10121	Link Pin	1
13	13	163-10131	Feed Roller	2
14	14	163-10141	Adjusting Screw	1
15	15	163-10150	Adjusting Dial	1
16	16	163-10160	Slide Spring A	1
17	17	163-10170	Feed Spring	1
18	18	163-10180	Latch Spring	1
20	20	163-10200	Visrope Guide CH72	1
101	101	163-11010	Pan Head Machine Screw (M4x5)	1
102	102	163-11020	Pan Head Machine Screw (M4x12)	2
103	103	163-11030	Tapping Screw Pan (P tight) 3x6	2
104	104	163-11040	Tapping Screw Pan (P tight) 3x12	3
105	105	163-11050	Tapping Screw Flat Head (P tight) 3x6	1
106	106	163-11060	Tapping Screw Flat Head (P tight) 3x10	2
107	107	163-11070	Dowel Pin 5x20	1
108	108	163-11080	Spring Pin A type 2x6	1
109	109	163-11090	Spring Pin A type 2x18	1
110	110	163-11100	Stainless 'Snap Fastener	1
111	111	163-11110	Flange Bush (Iigus) XFM-0405-06	2
112	112	163-11120	Steel Ball 4.000	1
113	113	163-11130	Flat Head M4 x 5	2
114	114	125-00540	Spring (plunger)	1
301	301	MT-0055	Name Plate CH7219U	1

- NOTE -

Subject to change without notice