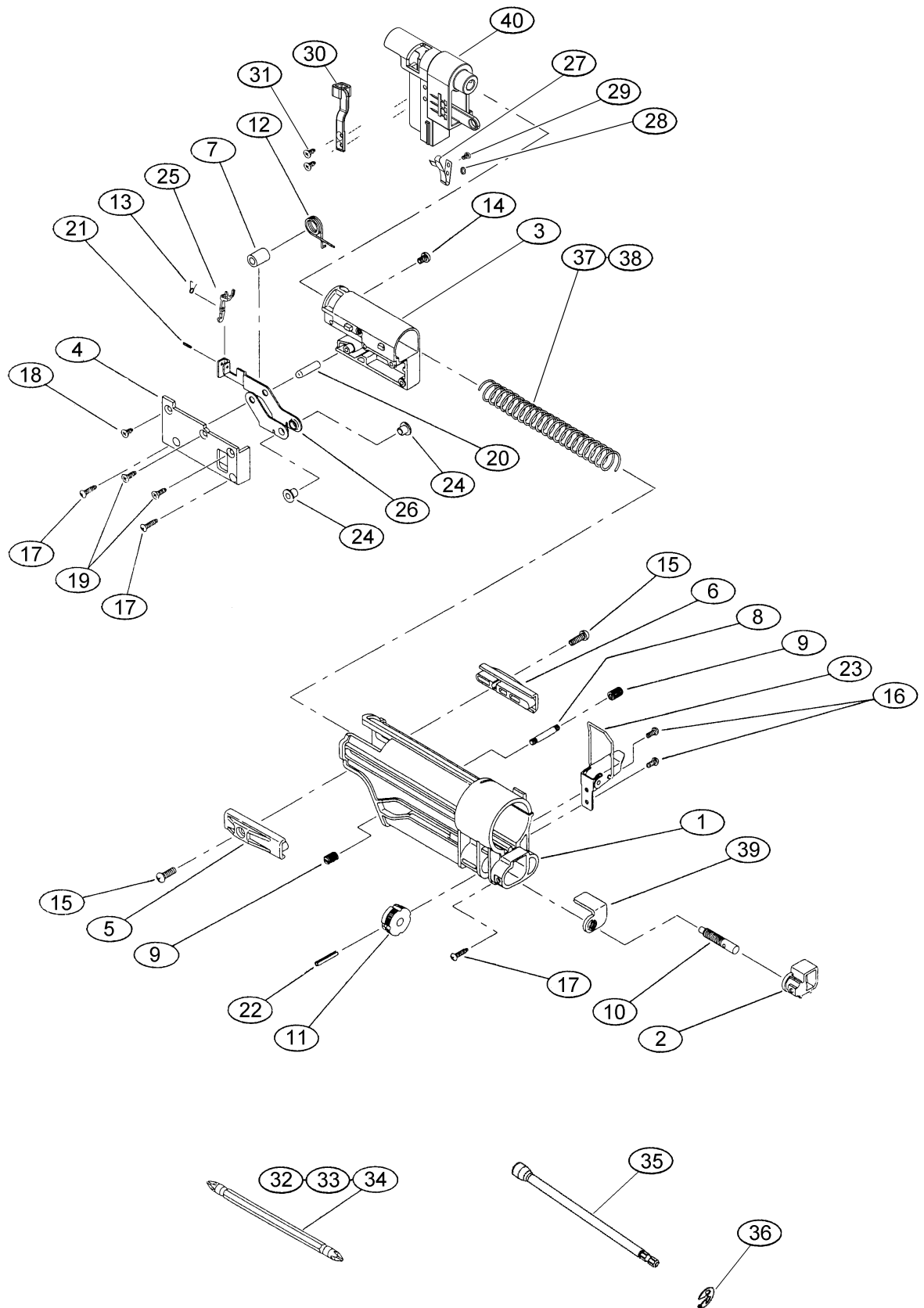


# CH7200 <sup>VISLIDER®</sup> Attachment CH7260





## CH7260 PARTS LIST

Call Muro at 1-800-665-6876 for pricing information

5-Jan-05

Drawing Number	Part / Order Number	Description	Quantity
1	163-10011	Slide Flame	1
2	163-10021	Adjusting Cover	1
3	163-10031	Feeder Case	1
4	163-10041	Feeder Cover	1
5	163-10051	Slide Guide(L)	1
6	163-10061	Slide Guide(R)	1
7	163-10110	Feed Lever Collar	1
8	163-10120	Link Pin	1
9	170-10131	Feed Roller	2
10	163-10140	Adjusting Screw	1
11	163-10150	Adjusting Dial	1
12	163-10170	Feed Spring	1
13	163-10180	Latch Spring	1
14	163-11010	Pan Head Machine Screw (M4x5)	1
15	163-11020	Pan Head Machine Screw (M4x12)	2
16	163-11030	Tapping Screw Pan (P tight) 3x6	2
17	163-11040	Tapping Screw Pan (P tight) 3x12	3
18	163-11050	Tapping Screw Flat Head (P tight) 3x6	1
19	163-11060	Tapping Screw Flat Head (P tight) 3x10	2
20	163-11070	Dowel Pin 5x20	1
21	163-11080	Spring Pin A type 2x6	1
22	163-11090	Spring Pin A type 2x18	1
23	163-11100	Stainless Snap Fastener	1
24	170-11110	Flange Bush (lgus)	2
25	20-10501	Feed Latch for CH7260 - (short screw supports)	1
26	165-10200	Feed lever for CH7260	1
27	20-10801	Strip Control Spring	1
28	20-11801	washer 3mm x 6mm x .8mm	1
29	20-10901	Screw 4-40 x 1/8 BHCS	1
30	20-10401	Tape Support Guide	1
31	20-11701	Screw FH 6-32 x 3/16 lg	2
32	PHL26000	Philips Bit	1
33	SQR26000	Square Bit	1
34	QAD26000	Quadrex Bit	1
35	HEX56340	Hex Bit 5/16	1
36	20-11601	E clip for hex bit	1
37	20-10601	Slide Spring (Hex screws)	1
38	163-10160	Slide Spring A (light spring)	1
39	163-10101	Stopper Plate CH7260, 61, CH7265	1
40	20-11101	Screw guide - CH7260	1